

GERMANIUM POWER TRANSISTORS

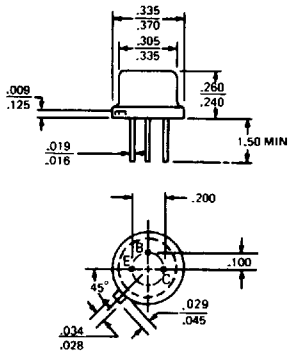
Type Number	Case Type	V_{CBO} V	V_{CEO} V	V_{EBO} V	V_{CEV} V	V_{CES} V	CURRENT GAIN				SATURATION VOLTAGES			θ_{j-c} °C/W	
							Min.	h_{FE}	Max.	$V_{CE} @ I_C$ A	$V_{CE(s)}$ V	$V_{BE(s)}$ V	$I_C @ I_B$ A		A
3 AMP GERMANIUM PNP															
CA2D2	MT-36	20	20	1.2			20		2.0	2.0	.60		2.0	.200	2.20
2N155	TO-3	30		15.0			24		2.0	.5	.65		1.0	.100	3.00
2N176	TO-3	40		10.0			25	90	2.0	.5					.80
2N235A	TO-3	50		15.0	40		20	80	2.0		.80		1.0	.100	1.50
2N236A	TO-3	50		15.0	35		20	80	2.0		1.00		3.0	.300	1.50
2N236B	TO-3	50		15.0	35		40	120	2.0		1.00		3.0	.300	1.50
2N242	TO-3	45		45.0			30	90	2.0	.5					3.00
2N255	TO-3	15		15.0			20	100	2.0	.5	.50		.1	.010	3.00
2N256	TO-3	30		30.0			20	100	2.0	.5	.50		.1	.101	3.00
2N268	TO-3	80		40.0			28	2.0	2.0	.5					1.50
2N285A	TO-3	25		15.0	35		38		2.0						
2N285B	TO-3	25		15.0	35		38		2.0						
2N297A	TO-3	60	50	40.0		50	40	100	2.0	.5	1.00		.2	.200	2.00
2N375	TO-3	80		40.0		60	35	90	4.0	1.0	1.00		2.0	.200	1.20
2N392	TO-3	60	40	40.0			40	200	2.0	1.0					.80
2N399	TO-3	25		15.0	35		36	40	2.0						1.50
2N538	MT-36	80	60	28.0			20	50	2.0	2.0	.60		2.0	.200	2.20
2N538A	MT-36	80	60	28.0			20	50	2.0	2.0	.60		2.0	.200	2.20
2N539	MT-36	80	55	28.0			30	75	2.0	2.0	.60		2.0	.200	2.20
2N539A	MT-36	80	55	28.0			30	75	2.0	2.0	.60		2.0	.200	2.20
2N540	MT-36	80	55	28.0			45	113	2.0	2.0	.60		2.0	.200	2.20
2N540A	MT-36	80	55	28.0			45	113	2.0	2.0	.60		2.0	.200	2.20
2N554	TO-3	40		10.0	30		25		2.0		.60		3.0	.300	1.00
2N555	TO-3	30		15.0		30	20		2.0	.5	.40		.3	.300	1.00
2N618	TO-3	80		40.0		60	60	140	4.0	1.0	.80		2.0	.200	1.20
2N1359	TO-3	50		25.0	40		35	90	4.0	1.0	1.00		2.0	.200	.80
2N1360	TO-3	50		25.0	40		60	150	4.0	1.0	1.00		2.0	.200	.80
2N1362	TO-3	100		50.0	75		35	90	4.0	1.0	1.00		2.0	.200	.80
2N1363	TO-3	100		50.0	75		60	140	4.0	1.0	1.00		2.0	.200	.80
2N1364	TO-3	120		60.0	100		35	90	4.0	1.0	1.00		2.0	.200	.80
2N1365	TO-3	120		60.0	100		40	100	4.0	1.0	1.00		2.0	.200	.80
2N1501	MT-36	60	40	28.0			25	100	2.0	2.0	.60		2.0	.200	2.20
2N1502	MT-36	40	40	28.0			25	100	2.0	2.0	.60		2.0	.200	2.20

Type Number	Case Type	$V_{CEO(max)}$ V	V_{EBO} V	h_{FE} @ I_C/V_{CE} (Min-Max @ A/V)	$V_{CE(s)}$ @ I_C/I_B (V@A/A)	V_{BE} @ I_C/V_{CE} (V@A/V)	I_{CEV} @ V_{CE} (mA@V)	$P_D @$ $T_C = 25^\circ C$ (watts)	θ_{j-c} (°C/W)	$T_{J(max)}$ (°C)	f_T (KHz)
2N1038	TO-5	30	20	20-60@1/.5	.25@1/.1	1@1/.5	.65@40	20	3.75	100	225
2N1039	TO-5	40	20	20-60@1/.5	.25@1/.1	1@1/.5	.65@60	20	3.75	100	225
2N1040	TO-5	50	20	20-60@1/.5	.25@1/.1	1@1/.5	.65@80	20	3.75	100	225
2N1041	TO-5	60	20	20-60@1/.5	.25@1/.1	1@1/.5	.65@100	20	3.75	100	225
2N2564	TO-5	30	20	20-60@3/1	.75@3/.3	1.5@3/1	.65@40	20	3.75	100	250
2N2565	TO-5	40	20	20-60@3/1	.75@3/.3	1.5@3/1	.65@60	20	3.75	100	250
2N2566	TO-5	50	20	20-60@3/1	.75@3/.3	1.5@3/1	.65@80	20	3.75	100	250
2N2567	TO-5	60	20	20-60@3/1	.75@3/.3	1.5@3/1	.65@100	20	3.75	100	250
2N2659	TO-5	30	20	30-90@.5/.5	.2@.5/.05	.6@.5/.5	.6@50	15	5.0	100	280
2N2660	TO-5	40	20	30-90@.5/.5	.2@.5/.05	.6@.5/.5	.6@70	15	5.0	100	280
2N2661	TO-5	50	20	30-90@.5/.5	.2@.5/.05	.6@.5/.5	.6@90	15	5.0	100	280
2N2665	TO-5	30	20	50-150@.5/.5	.25@.5/.025	.6@.5/.5	.6@50	15	5.0	100	300
2N2666	TO-5	40	20	50-150@.5/.5	.25@.5/.025	.6@.5/.5	.6@70	15	5.0	100	300
2N2667	TO-5	50	20	50-150@.5/.5	.25@.5/.025	.6@.5/.5	.6@90	15	5.0	100	300
2N2552	MT-27	30	20	20-60@1/.5	.25@1/.1	1@1/.5	.65@40	20	3.75	100	225
2N2553	MT-27	40	20	20-60@1/.5	.25@1/.1	1@1/.5	.65@60	20	3.75	100	225
2N2554	MT-27	50	20	20-60@1/.5	.25@1/.1	1@1/.5	.65@80	20	3.75	100	225
2N2555	MT-27	60	20	20-60@1/.5	.25@1/.1	1@1/.5	.65@100	20	3.75	100	225
2N2560	MT-27	30	20	20-60@3/1	.75@3/.3	1.5@3/1	.65@40	20	3.75	100	250
2N2561	MT-27	40	20	20-60@3/1	.75@3/.3	1.5@3/1	.65@60	20	3.75	100	250
2N2562	MT-27	50	20	20-60@3/1	.75@3/.3	1.5@3/1	.65@80	20	3.75	100	250
2N2563	MT-27	60	20	20-60@3/1	.75@3/.3	1.5@3/1	.65@100	20	3.75	100	250
2N2662	MT-27	30	20	30-90@.5/.5	.2@.5/.05	.6@.5/.5	.6@50	15	5.0	100	280
2N2663	MT-27	40	20	30-90@.5/.5	.2@.5/.05	.6@.5/.5	.6@70	15	5.0	100	280
2N2664	MT-27	50	20	30-90@.5/.5	.2@.5/.05	.6@.5/.5	.6@90	15	5.0	100	280

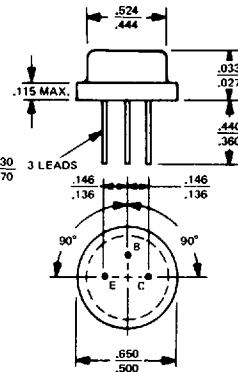
GERMANIUM POWER TRANSISTORS

CASE OUTLINE DRAWINGS & DIMENSIONS

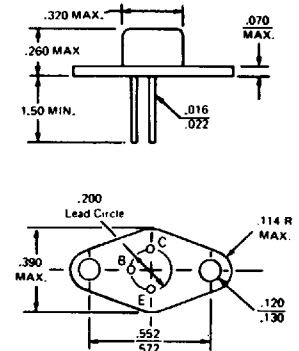
TO-5



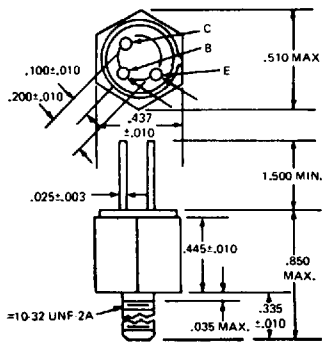
TO-8



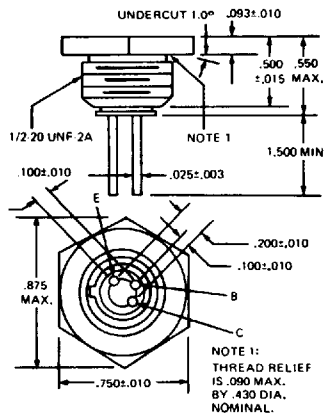
TO-37



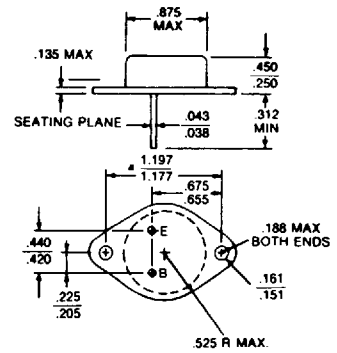
MT-27



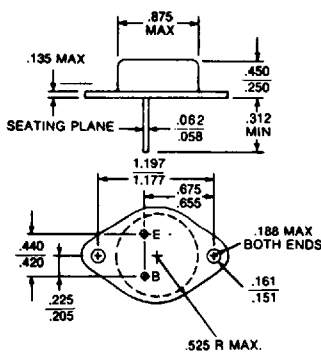
MT-28



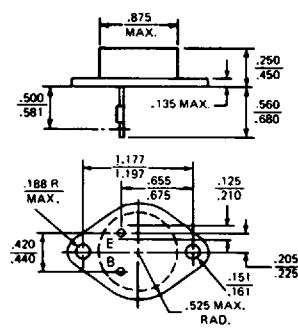
TO-3



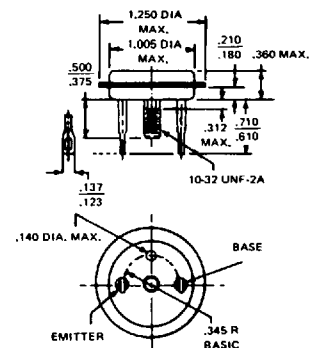
**MODIFIED TO-3
(60 mil pins)**



TO-41



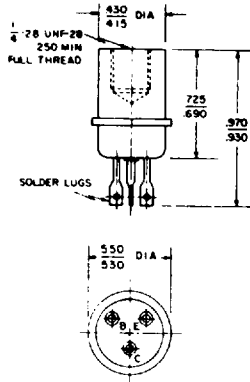
TO-36



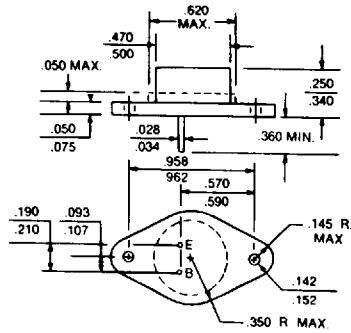
GERMANIUM POWER TRANSISTORS

CASE OUTLINE DRAWINGS & DIMENSIONS

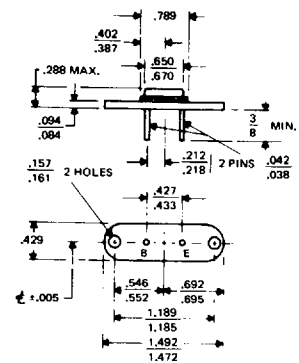
TO-13



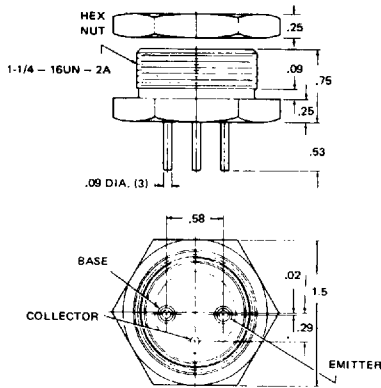
TO-66



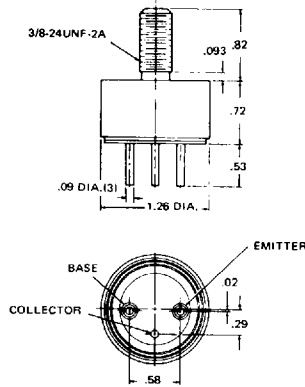
MS-7



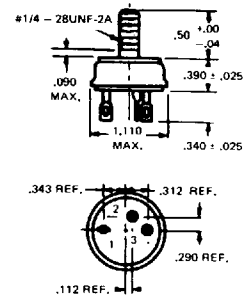
MT-22



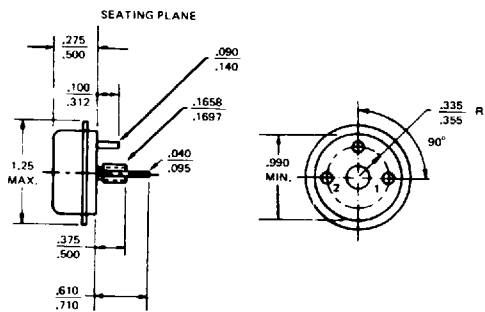
MT-23



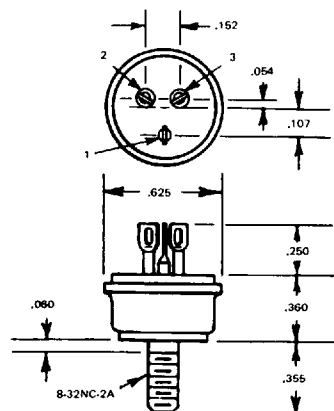
MT-7



TO-68



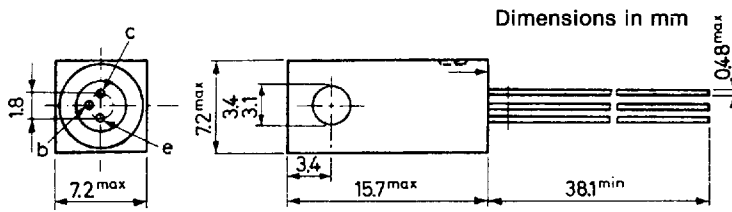
MT-36



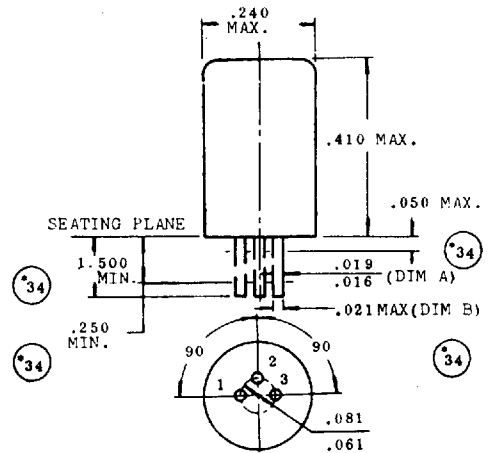
GERMANIUM POWER TRANSISTORS

CASE OUTLINE DRAWINGS & DIMENSIONS

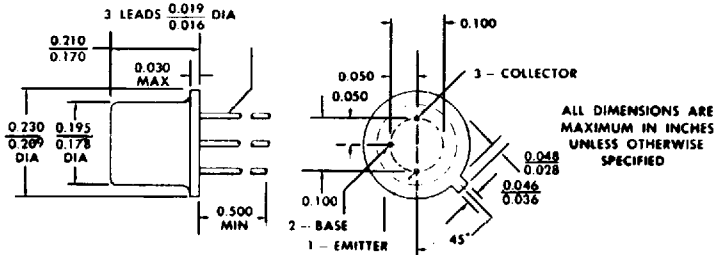
NS257



TO-1



TO-18



THE COLLECTOR IS ELECTRICAL CONTACT WITH THE CASE.

ALL JEDEC TO-18 DIMENSIONS AND NOTES ARE APPLICABLE.



GERMANIUM POWER DEVICES CORP.

300 Brickstone Square · York Street · P.O. Box 3065
Shawsheen Village Station · Andover, Massachusetts 01810
Telephone (508) 475-5982 · FAX (508) 470-1512

26

Printed in U.S.A.

■ 3947375 0000689 52T ■

54134