

# LM50

*LM50 SOT-23 Single-Supply Centigrade Temperature Sensor*

# Datasheet.Live



Literature Number: SNIS118C

# LM50

## SOT-23 Single-Supply Centigrade Temperature Sensor


### General Description

The LM50 is a precision integrated-circuit temperature sensor that can sense a  $-40^{\circ}\text{C}$  to  $+125^{\circ}\text{C}$  temperature range using a single positive supply. The LM50's output voltage is linearly proportional to Celsius (Centigrade) temperature ( $+10\text{ mV}/^{\circ}\text{C}$ ) and has a DC offset of  $+500\text{ mV}$ . The offset allows reading negative temperatures without the need for a negative supply. The ideal output voltage of the LM50 ranges from  $+100\text{ mV}$  to  $+1.75\text{V}$  for a  $-40^{\circ}\text{C}$  to  $+125^{\circ}\text{C}$  temperature range. The LM50 does not require any external calibration or trimming to provide accuracies of  $\pm 3^{\circ}\text{C}$  at room temperature and  $\pm 4^{\circ}\text{C}$  over the full  $-40^{\circ}\text{C}$  to  $+125^{\circ}\text{C}$  temperature range. Trimming and calibration of the LM50 at the wafer level assure low cost and high accuracy. The LM50's linear output,  $+500\text{ mV}$  offset, and factory calibration simplify circuitry required in a single supply environment where reading negative temperatures is required. Because the LM50's quiescent current is less than  $130\text{ }\mu\text{A}$ , self-heating is limited to a very low  $0.2^{\circ}\text{C}$  in still air.

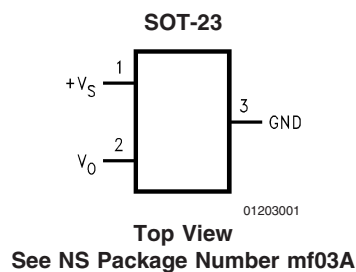
### Applications

- Computers
- Disk Drives
- Battery Management
- Automotive
- FAX Machines
- Printers
- Portable Medical Instruments
- HVAC
- Power Supply Modules

### Features

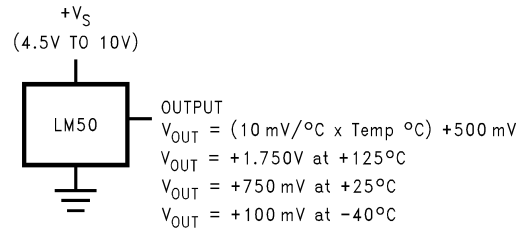
- Calibrated directly in degree Celsius (Centigrade)
- Linear  $+10.0\text{ mV}/^{\circ}\text{C}$  scale factor
- $\pm 2^{\circ}\text{C}$  accuracy guaranteed at  $+25^{\circ}\text{C}$
- Specified for full  $-40^{\circ}$  to  $+125^{\circ}\text{C}$  range
- Suitable for remote applications
- Low cost due to wafer-level trimming
- Operates from  $4.5\text{V}$  to  $10\text{V}$
- Less than  $130\text{ }\mu\text{A}$  current drain
- Low self-heating, less than  $0.2^{\circ}\text{C}$  in still air
- Nonlinearity less than  $0.8^{\circ}\text{C}$  over temp
- UL Recognized Component 

### Connection Diagram



Order Number	Device Top Mark	Supplied As
LM50BIM3	T5B	1000 Units on Tape and Reel
LM50CIM3	T5C	1000 Units on Tape and Reel
LM50BIM3X	T5B	3000 Units on Tape and Reel
LM50CIM3X	T5C	3000 Units on Tape and Reel

## Typical Application



01203003

**FIGURE 1. Full-Range Centigrade Temperature Sensor (-40°C to +125°C)**

**Absolute Maximum Ratings** (Note 1)

Supply Voltage	+12V to -0.2V
Output Voltage	(+V <sub>S</sub> + 0.6V) to -1.0V
Output Current	10 mA
Storage Temperature	-65°C to +150°C
T <sub>JMAX</sub> , Maximum Junction Temperature	150°C
ESD Susceptibility (Note 3): Human Body Model	2000V
Machine Model	250V

**Operating Ratings** (Note 1)

Specified Temperature Range:	T <sub>MIN</sub> to T <sub>MAX</sub>
LM50C	-40°C to +125°C
LM50B	-25°C to +100°C
Operating Temperature Range	-40°C to +150°C
θ <sub>JA</sub> (Note 4)	450°C/W
Supply Voltage Range (+V <sub>S</sub> )	+4.5V to +10V

Soldering process must comply with National Semiconductor's Reflow Temperature Profile specifications. Refer to [www.national.com/packaging](http://www.national.com/packaging). (Note 2)

**Electrical Characteristics**

Unless otherwise noted, these specifications apply for V<sub>S</sub> = +5 V<sub>DC</sub> and I<sub>LOAD</sub> = +0.5 μA, in the circuit of *Figure 1*. **Boldface limits apply for the specified T<sub>A</sub> = T<sub>J</sub> = T<sub>MIN</sub> to T<sub>MAX</sub>**; all other limits T<sub>A</sub> = T<sub>J</sub> = +25°C, unless otherwise noted.

Parameter	Conditions	LM50B		LM50C		Units (Limit)
		Typical	Limit (Note 5)	Typical	Limit (Note 5)	
Accuracy (Note 6)	T <sub>A</sub> = +25°C		±2.0		±3.0	°C (max)
	T <sub>A</sub> = T <sub>MAX</sub>		±3.0		±4.0	°C (max)
	T <sub>A</sub> = T <sub>MIN</sub>		+3.0, -3.5		±4.0	°C (max)
Nonlinearity (Note 7)			<b>±0.8</b>		<b>±0.8</b>	°C (max)
Sensor Gain (Average Slope)			<b>+9.7</b>		<b>+9.7</b>	mV/°C (min)
			<b>+10.3</b>		<b>+10.3</b>	mV/°C (max)
Output Resistance		2000	<b>4000</b>	2000	<b>4000</b>	Ω (max)
Line Regulation (Note 8)	+4.5V ≤ V <sub>S</sub> ≤ +10V		±0.8		±0.8	mV/V (max)
			<b>±1.2</b>		<b>±1.2</b>	mV/V (max)
Quiescent Current (Note 9)	+4.5V ≤ V <sub>S</sub> ≤ +10V		130		130	μA (max)
			<b>180</b>		<b>180</b>	μA (max)
Change of Quiescent Current (Note 9)	+4.5V ≤ V <sub>S</sub> ≤ +10V		<b>2.0</b>		<b>2.0</b>	μA (max)
Temperature Coefficient of Quiescent Current			<b>+1.0</b>		<b>+2.0</b>	μA/°C
Long Term Stability (Note 10)	T <sub>J</sub> = 125°C, for 1000 hours	±0.08		±0.08		°C

**Note 1:** Absolute Maximum Ratings indicate limits beyond which damage to the device may occur. DC and AC electrical specifications do not apply when operating the device beyond its rated operating conditions.

**Note 2:** Reflow temperature profiles are different for lead-free and non-lead-free packages.

**Note 3:** Human body model, 100 pF discharged through a 1.5 kΩ resistor. Machine model, 200 pF discharged directly into each pin.

**Note 4:** Thermal resistance of the SOT-23 package is specified without a heat sink, junction to ambient.

**Note 5:** Limits are guaranteed to National's AOQL (Average Outgoing Quality Level).

**Note 6:** Accuracy is defined as the error between the output voltage and 10mv/°C times the device's case temperature plus 500 mV, at specified conditions of voltage, current, and temperature (expressed in °C).

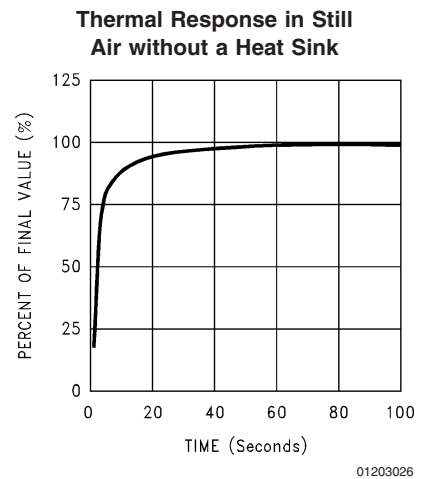
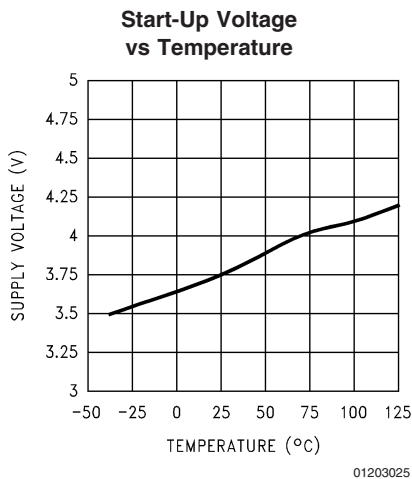
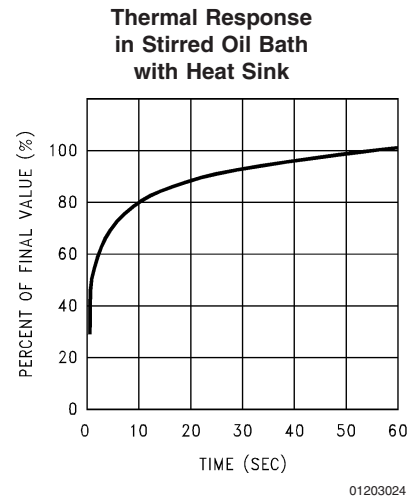
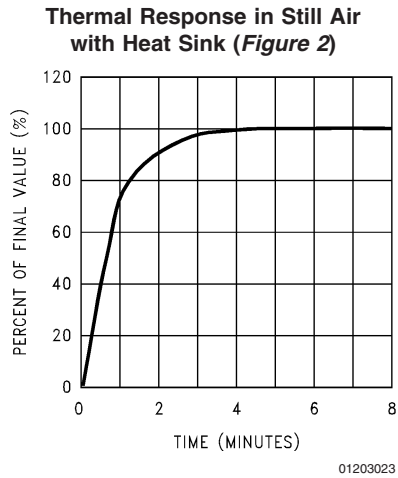
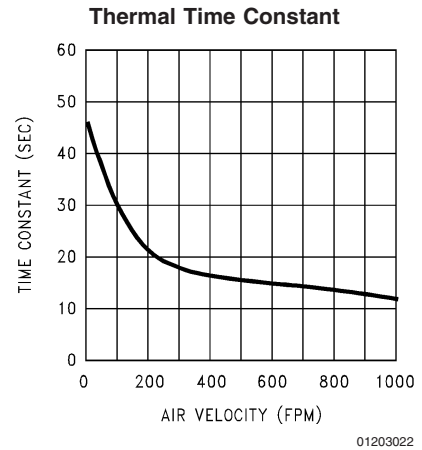
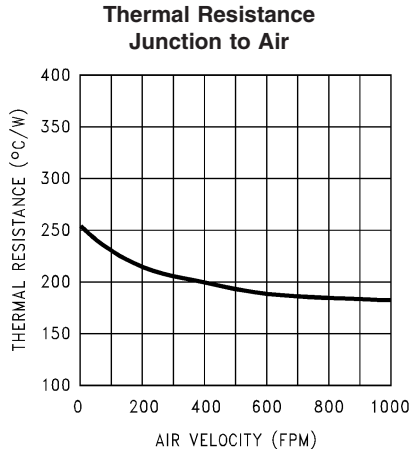
**Note 7:** Nonlinearity is defined as the deviation of the output-voltage-versus-temperature curve from the best-fit straight line, over the device's rated temperature range.

**Note 8:** Regulation is measured at constant junction temperature, using pulse testing with a low duty cycle. Changes in output due to heating effects can be computed by multiplying the internal dissipation by the thermal resistance.

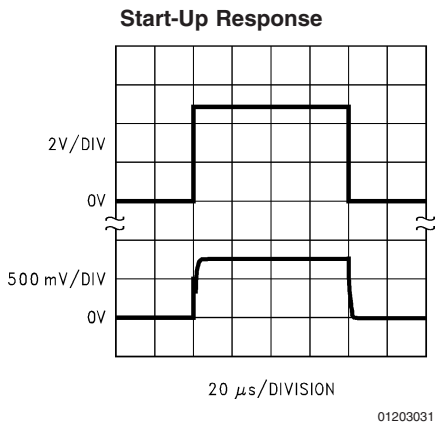
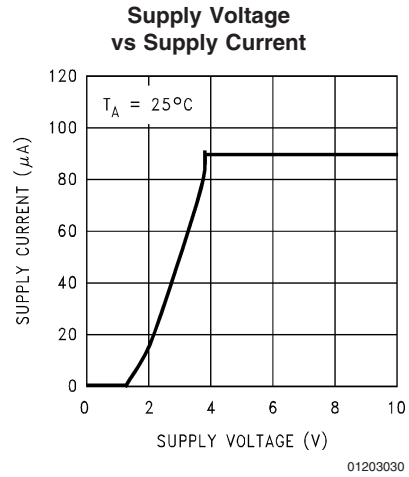
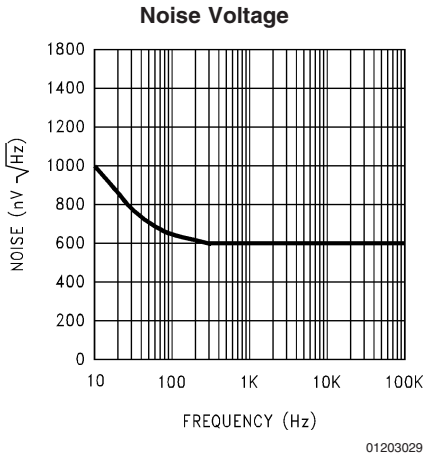
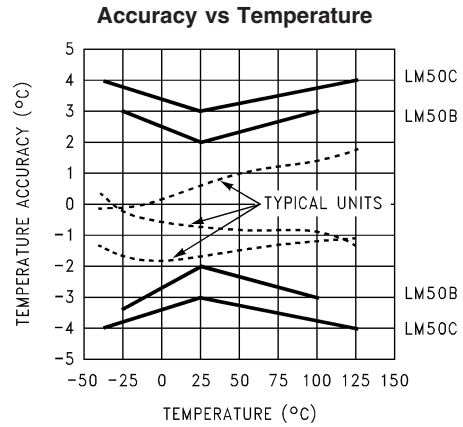
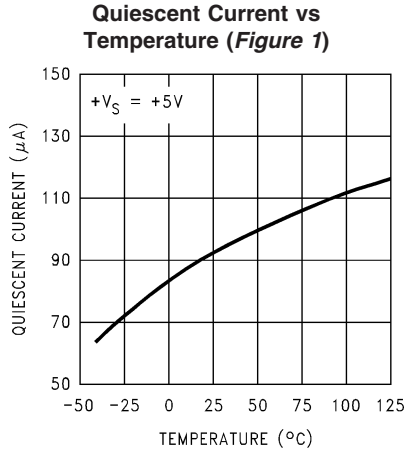
**Note 9:** Quiescent current is defined in the circuit of *Figure 1*.

**Note 10:** For best long-term stability, any precision circuit will give best results if the unit is aged at a warm temperature, and/or temperature cycled for at least 46 hours before long-term life test begins. This is especially true when a small (Surface-Mount) part is wave-soldered; allow time for stress relaxation to occur. The majority of the drift will occur in the first 1000 hours at elevated temperatures. The drift after 1000 hours will not continue at the first 1000 hour rate.

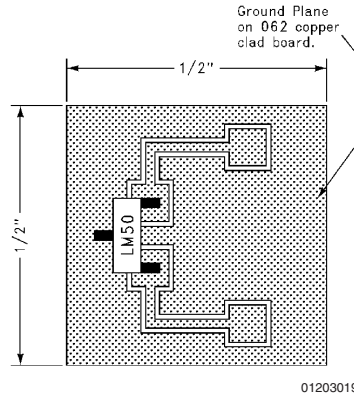
**Typical Performance Characteristics** To generate these curves the LM50 was mounted to a printed circuit board as shown in *Figure 2*.



**Typical Performance Characteristics** To generate these curves the LM50 was mounted to a printed circuit board as shown in *Figure 2*. (Continued)



## Printed Circuit Board



**FIGURE 2. Printed Circuit Board Used for Heat Sink to Generate All Curves.**  
**1/2" Square Printed Circuit Board with 2 oz. Foil or Similar**

### 1.0 Mounting

The LM50 can be applied easily in the same way as other integrated-circuit temperature sensors. It can be glued or cemented to a surface and its temperature will be within about 0.2°C of the surface temperature.

This presumes that the ambient air temperature is almost the same as the surface temperature; if the air temperature were much higher or lower than the surface temperature, the actual temperature of the LM50 die would be at an intermediate temperature between the surface temperature and the air temperature.

To ensure good thermal conductivity the backside of the LM50 die is directly attached to the GND pin. The lands and traces to the LM50 will, of course, be part of the printed circuit board, which is the object whose temperature is being measured. These printed circuit board lands and traces will not cause the LM50s temperature to deviate from the desired temperature.

Alternatively, the LM50 can be mounted inside a sealed-end metal tube, and can then be dipped into a bath or screwed into a threaded hole in a tank. As with any IC, the LM50 and accompanying wiring and circuits must be kept insulated and dry, to avoid leakage and corrosion. This is especially true if the circuit may operate at cold temperatures where condensation can occur. Printed-circuit coatings and varnishes such as Humiseal and epoxy paints or dips are often used to ensure that moisture cannot corrode the LM50 or its connections.

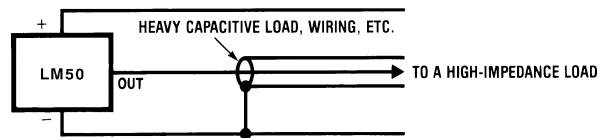
### Temperature Rise of LM50 Due to Self-Heating (Thermal Resistance, $\theta_{JA}$ )

	SOT-23 no heat sink*	SOT-23 small heat fin**
Still air	450°C/W	260°C/W
Moving air		180°C/W

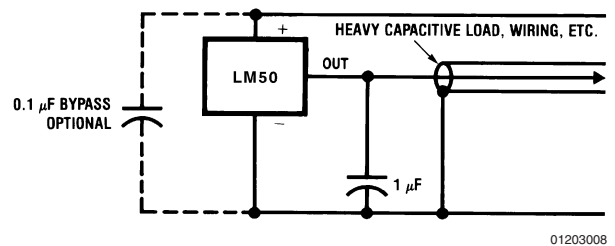
\* Part soldered to 30 gauge wire.

\*\* Heat sink used is 1/2" square printed circuit board with 2 oz. foil with part attached as shown in Figure 2.

### 2.0 Capacitive Loads



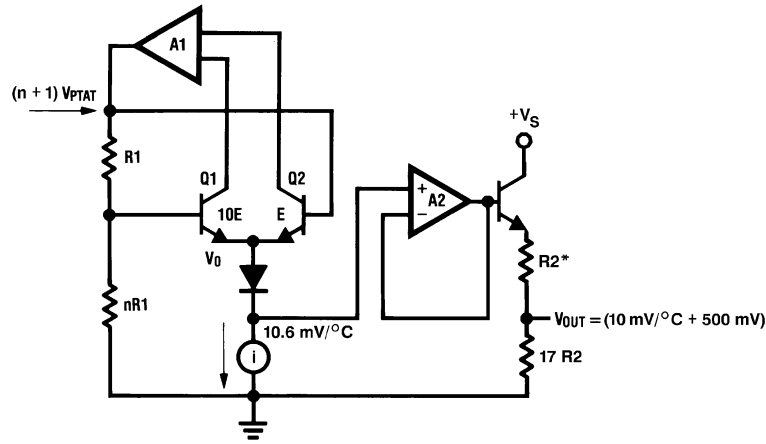
**FIGURE 3. LM50 No Decoupling Required for Capacitive Load**



**FIGURE 4. LM50C with Filter for Noisy Environment**

The LM50 handles capacitive loading very well. Without any special precautions, the LM50 can drive any capacitive load. The LM50 has a nominal 2 kΩ output impedance (as can be seen in the block diagram). The temperature coefficient of the output resistors is around 1300 ppm/°C. Taking into account this temperature coefficient and the initial tolerance of the resistors the output impedance of the LM50 will not exceed 4 kΩ. In an extremely noisy environment it may be necessary to add some filtering to minimize noise pickup. It is recommended that 0.1 µF be added from  $V_{IN}$  to GND to bypass the power supply voltage, as shown in Figure 4. In a noisy environment it may be necessary to add a capacitor from the output to ground. A 1 µF output capacitor with the 4 kΩ output impedance will form a 40 Hz lowpass filter. Since the thermal time constant of the LM50 is much slower than the 25 ms time constant formed by the RC, the overall response time of the LM50 will not be significantly affected. For much larger capacitors this additional time lag will increase the overall response time of the LM50.

## 2.0 Capacitive Loads (Continued)

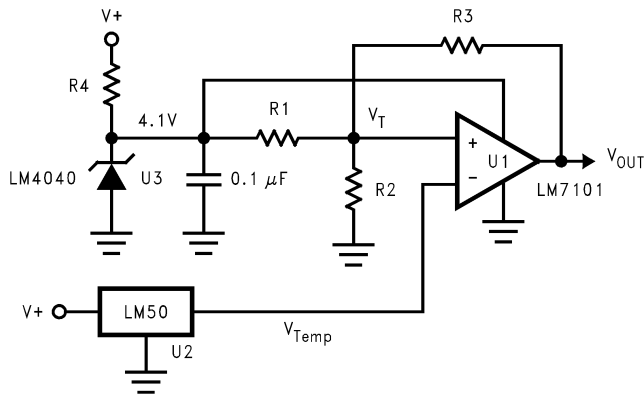


\*R2 ≈ 2k with a typical 1300 ppm/°C drift.

01203017

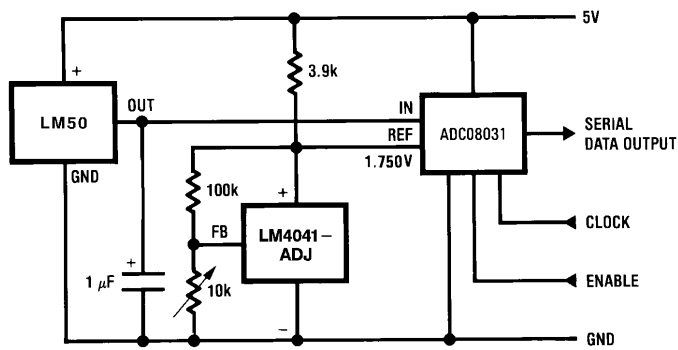
FIGURE 5. Block Diagram

## 3.0 Typical Applications



01203011

FIGURE 6. Centigrade Thermostat/Fan Controller

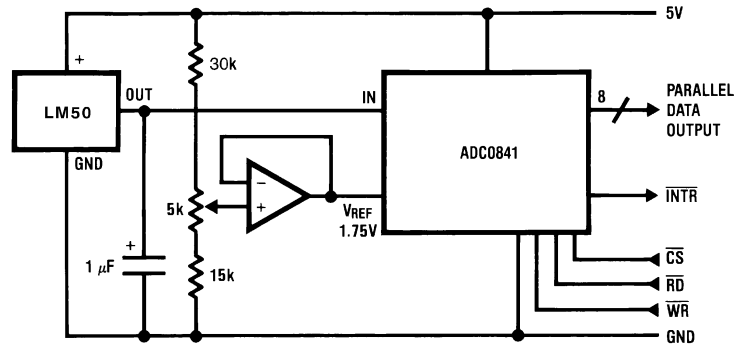


01203013

FIGURE 7. Temperature To Digital Converter (Serial Output) (+125°C Full Scale)

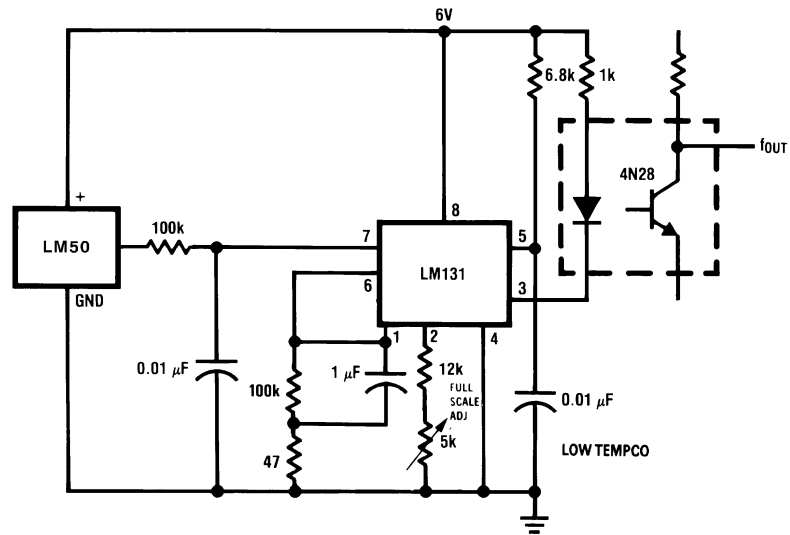


### 3.0 Typical Applications (Continued)



01203014

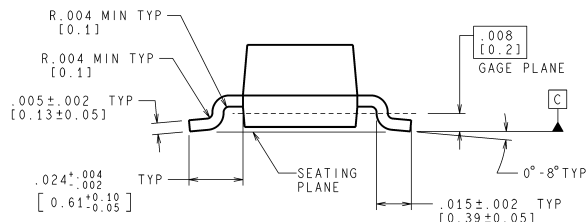
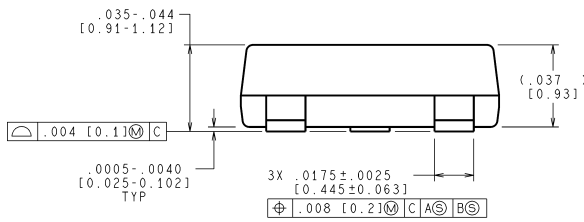
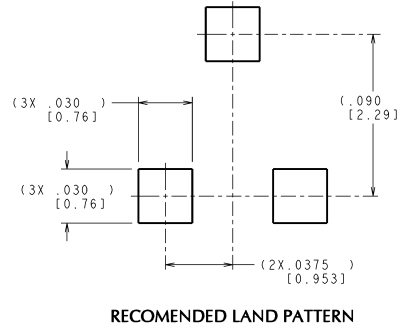
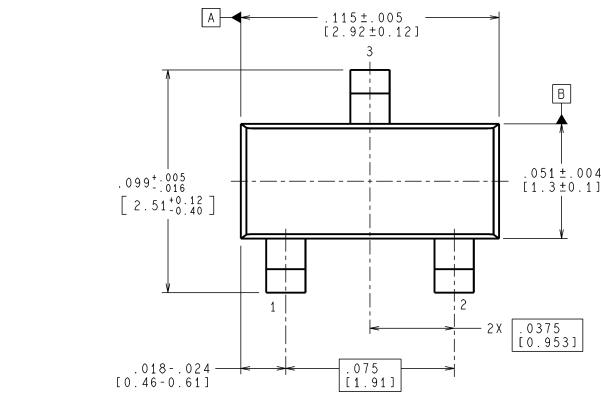
FIGURE 8. Temperature To Digital Converter (Parallel TRI-STATE® Outputs for Standard Data Bus to  $\mu$ P Interface) (125°C Full Scale)



01203016

FIGURE 9. LM50 With Voltage-To-Frequency Converter And Isolated Output (-40°C to +125°C; 100 Hz to 1750 Hz)

**Physical Dimensions** inches (millimeters) unless otherwise noted



CONTROLLING DIMENSION IS INCH  
VALUES IN [ ] ARE MILLIMETERS

MF03A (Rev B)

**SOT-23 Molded Small Outline Transistor Package (M3)**  
**Order Number LM50BIM3, or LM50CIM3**  
**NS Package Number mf03a**

National does not assume any responsibility for use of any circuitry described, no circuit patent licenses are implied and National reserves the right at any time without notice to change said circuitry and specifications.  
For the most current product information visit us at [www.national.com](http://www.national.com).

**LIFE SUPPORT POLICY**

NATIONAL'S PRODUCTS ARE NOT AUTHORIZED FOR USE AS CRITICAL COMPONENTS IN LIFE SUPPORT DEVICES OR SYSTEMS WITHOUT THE EXPRESS WRITTEN APPROVAL OF THE PRESIDENT AND GENERAL COUNSEL OF NATIONAL SEMICONDUCTOR CORPORATION. As used herein:

1. Life support devices or systems are devices or systems which, (a) are intended for surgical implant into the body, or (b) support or sustain life, and whose failure to perform when properly used in accordance with instructions for use provided in the labeling, can be reasonably expected to result in a significant injury to the user.
2. A critical component is any component of a life support device or system whose failure to perform can be reasonably expected to cause the failure of the life support device or system, or to affect its safety or effectiveness.

**BANNED SUBSTANCE COMPLIANCE**

National Semiconductor manufactures products and uses packing materials that meet the provisions of the Customer Products Stewardship Specification (CSP-9-111C2) and the Banned Substances and Materials of Interest Specification (CSP-9-111S2) and contain no "Banned Substances" as defined in CSP-9-111S2.  
Leadfree products are RoHS compliant.

**National Semiconductor**  
Americas Customer Support Center  
Email: [new.feedback@nsc.com](mailto:new.feedback@nsc.com)  
Tel: 1-800-272-9959

**National Semiconductor**  
Europe Customer Support Center  
Fax: +49 (0) 180-530 85 86  
Email: [europe.support@nsc.com](mailto:europe.support@nsc.com)  
Deutsch Tel: +49 (0) 69 9508 6208  
English Tel: +44 (0) 870 24 0 2171  
Français Tel: +33 (0) 1 41 91 8790

**National Semiconductor**  
Asia Pacific Customer Support Center  
Email: [ap.support@nsc.com](mailto:ap.support@nsc.com)

**National Semiconductor**  
Japan Customer Support Center  
Fax: 81-3-5639-7507  
Email: [jpn.feedback@nsc.com](mailto:jpn.feedback@nsc.com)  
Tel: 81-3-5639-7560

## IMPORTANT NOTICE

Texas Instruments Incorporated and its subsidiaries (TI) reserve the right to make corrections, modifications, enhancements, improvements, and other changes to its products and services at any time and to discontinue any product or service without notice. Customers should obtain the latest relevant information before placing orders and should verify that such information is current and complete. All products are sold subject to TI's terms and conditions of sale supplied at the time of order acknowledgment.

TI warrants performance of its hardware products to the specifications applicable at the time of sale in accordance with TI's standard warranty. Testing and other quality control techniques are used to the extent TI deems necessary to support this warranty. Except where mandated by government requirements, testing of all parameters of each product is not necessarily performed.

TI assumes no liability for applications assistance or customer product design. Customers are responsible for their products and applications using TI components. To minimize the risks associated with customer products and applications, customers should provide adequate design and operating safeguards.

TI does not warrant or represent that any license, either express or implied, is granted under any TI patent right, copyright, mask work right, or other TI intellectual property right relating to any combination, machine, or process in which TI products or services are used. Information published by TI regarding third-party products or services does not constitute a license from TI to use such products or services or a warranty or endorsement thereof. Use of such information may require a license from a third party under the patents or other intellectual property of the third party, or a license from TI under the patents or other intellectual property of TI.

Reproduction of TI information in TI data books or data sheets is permissible only if reproduction is without alteration and is accompanied by all associated warranties, conditions, limitations, and notices. Reproduction of this information with alteration is an unfair and deceptive business practice. TI is not responsible or liable for such altered documentation. Information of third parties may be subject to additional restrictions.

Resale of TI products or services with statements different from or beyond the parameters stated by TI for that product or service voids all express and any implied warranties for the associated TI product or service and is an unfair and deceptive business practice. TI is not responsible or liable for any such statements.

TI products are not authorized for use in safety-critical applications (such as life support) where a failure of the TI product would reasonably be expected to cause severe personal injury or death, unless officers of the parties have executed an agreement specifically governing such use. Buyers represent that they have all necessary expertise in the safety and regulatory ramifications of their applications, and acknowledge and agree that they are solely responsible for all legal, regulatory and safety-related requirements concerning their products and any use of TI products in such safety-critical applications, notwithstanding any applications-related information or support that may be provided by TI. Further, Buyers must fully indemnify TI and its representatives against any damages arising out of the use of TI products in such safety-critical applications.

TI products are neither designed nor intended for use in military/aerospace applications or environments unless the TI products are specifically designated by TI as military-grade or "enhanced plastic." Only products designated by TI as military-grade meet military specifications. Buyers acknowledge and agree that any such use of TI products which TI has not designated as military-grade is solely at the Buyer's risk, and that they are solely responsible for compliance with all legal and regulatory requirements in connection with such use.

TI products are neither designed nor intended for use in automotive applications or environments unless the specific TI products are designated by TI as compliant with ISO/TS 16949 requirements. Buyers acknowledge and agree that, if they use any non-designated products in automotive applications, TI will not be responsible for any failure to meet such requirements.

Following are URLs where you can obtain information on other Texas Instruments products and application solutions:

### Products

Audio	<a href="http://www.ti.com/audio">www.ti.com/audio</a>
Amplifiers	<a href="http://amplifier.ti.com">amplifier.ti.com</a>
Data Converters	<a href="http://dataconverter.ti.com">dataconverter.ti.com</a>
DLP® Products	<a href="http://www.dlp.com">www.dlp.com</a>
DSP	<a href="http://dsp.ti.com">dsp.ti.com</a>
Clocks and Timers	<a href="http://www.ti.com/clocks">www.ti.com/clocks</a>
Interface	<a href="http://interface.ti.com">interface.ti.com</a>
Logic	<a href="http://logic.ti.com">logic.ti.com</a>
Power Mgmt	<a href="http://power.ti.com">power.ti.com</a>
Microcontrollers	<a href="http://microcontroller.ti.com">microcontroller.ti.com</a>
RFID	<a href="http://www.ti-rfid.com">www.ti-rfid.com</a>
OMAP Mobile Processors	<a href="http://www.ti.com/omap">www.ti.com/omap</a>
Wireless Connectivity	<a href="http://www.ti.com/wirelessconnectivity">www.ti.com/wirelessconnectivity</a>

### Applications

Communications and Telecom	<a href="http://www.ti.com/communications">www.ti.com/communications</a>
Computers and Peripherals	<a href="http://www.ti.com/computers">www.ti.com/computers</a>
Consumer Electronics	<a href="http://www.ti.com/consumer-apps">www.ti.com/consumer-apps</a>
Energy and Lighting	<a href="http://www.ti.com/energy">www.ti.com/energy</a>
Industrial	<a href="http://www.ti.com/industrial">www.ti.com/industrial</a>
Medical	<a href="http://www.ti.com/medical">www.ti.com/medical</a>
Security	<a href="http://www.ti.com/security">www.ti.com/security</a>
Space, Avionics and Defense	<a href="http://www.ti.com/space-avionics-defense">www.ti.com/space-avionics-defense</a>
Transportation and Automotive	<a href="http://www.ti.com/automotive">www.ti.com/automotive</a>
Video and Imaging	<a href="http://www.ti.com/video">www.ti.com/video</a>

TI E2E Community Home Page

[e2e.ti.com](http://e2e.ti.com)

Mailing Address: Texas Instruments, Post Office Box 655303, Dallas, Texas 75265  
Copyright © 2011, Texas Instruments Incorporated