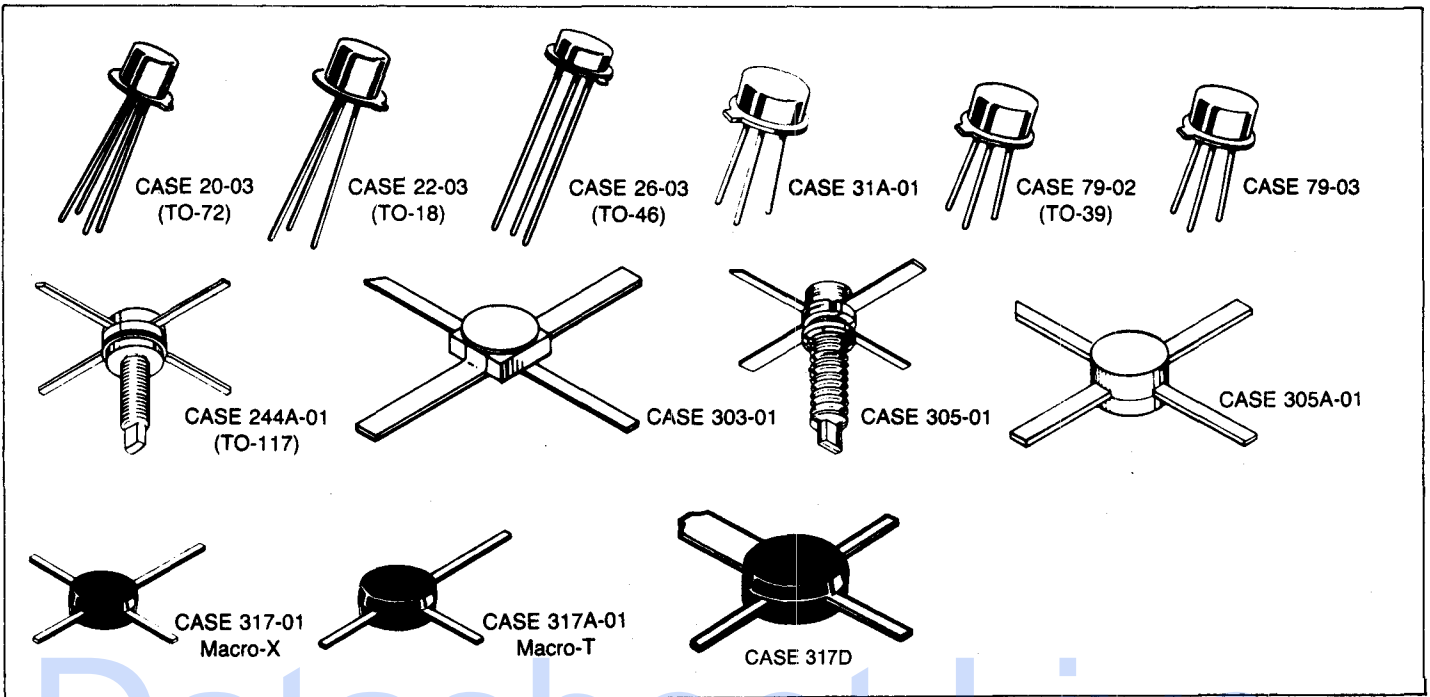


# RF Small-Signal Transistors

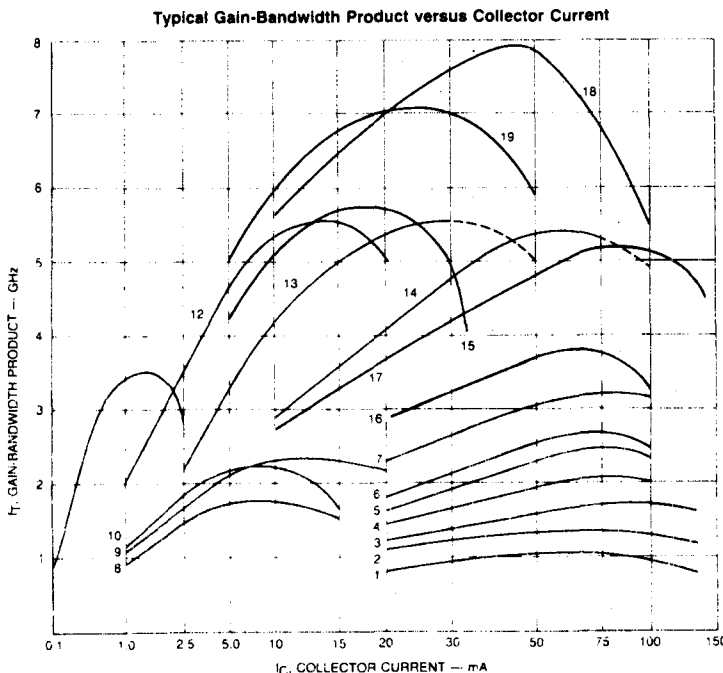
3



Motorola's small-signal, low power RF transistor product range includes transistors with gain-bandwidths of 1.0 GHz to 8.0 GHz operating at currents of 0.25 mA to over 140 mA.

These devices are available in a wide variety of package types; metal can, plastic Macro-X and Macro-T, hermetic ceramic and microminiature. Most of these transistors are fully

characterized with y or s parameters; and in addition, there are non-saturated switching characteristics, low power driver specifications, and noise figure limits. QPL types with JAN, JTX and JTXV processing levels are available as well as Hi Rel processing to meet unique customer requirements.



## RF Small-Signal Transistors

Motorola small-signal and medium power RF transistors with gain-bandwidth products from 1.0 GHz to 8.0 GHz operate with currents from 0.25 mA to over 140 mA. The following chart, combined with the tables of package options, enables the circuit designer to select the optimum device from Motorola's wide range of transistor/package combinations.

- |   |  |    |                                |
|---|--|----|--------------------------------|
| 1 | 2N3866, 2N3866A                        | 10 | 2N4957, 2N4958, 2N4959, PNP    |
| 2 | 2N5160, MM4018, PNP                    | 12 | 2N6603, BFR90, MRF901, MRF904  |
| 3 | 2N3948, 2N4427, MRF207                 | 13 | 2N6604, BFR91, MRF911, MRF914  |
| 4 | 2N5109, 2N5943                         | 14 | BFR96, MRF961, MRF962, MRF965  |
| 5 | 2N5583, PNP                            | 15 | BFW92A                         |
| 6 | 2N5836, 2N5837                         | 16 | MRF559                         |
| 7 | MRF511, MRF517, MRF525                 | 17 | MRF580, MRF581, MRF586, MRF587 |
| 8 | 2N2857, 2N3939, 2N5179, MRF501, MRF502 | 18 | MRF571, MRF572                 |
| 9 | BFX89, BFY90                           | 19 | MRF536, MRF534, MM4049, PNP    |

## RF SMALL-SIGNAL TRANSISTORS (continued)

### UHF and Microwave Oscillators

The transistors listed below are for UHF and microwave oscillator applications as initial signal sources or as output stages of limited range transmitters. Devices are listed in order of increasing output power.

Device Type	Test Conditions		P <sub>out</sub> mW Min	f <sub>T</sub> MHz Typ	Package
	f MHz	V <sub>CC</sub> Volts			
2N5179	500	10	20	1800	TO-72
2N2857	500	10	30	1800	TO-72
2N3839	500	6.0	30	1800	TO-72
MM8009	1680	20	200	1400	TO-39
2N5108	1680	20	300	1400	TO-39
2N3866	400	15	1000	1000	TO-39

\*Typical

### Low-Noise Transistors

The low-noise devices listed are produced with carefully controlled  $r_b'$  and  $f_T$  to optimize device noise performance. Devices listed in the matrix are classified according to noise figure performance versus frequency.

NF dB	Frequency MHz						Polarity
	60	100	200	450	1000	2000	
1.5	2N5829 2N5031	2N5829 2N5031	MRF904	MRF571	MRF572/MRF2369		PNP NPN
2.0	2N4957	2N4957	2N5829 2N5031	MRF904	MRF901		PNP NPN
2.5	2N4958	2N4958	2N4957 2N5032	2N5829 2N5031	MRF901 2N6603	MRF572	PNP NPN NPN
3.0	2N4959 2N2857	2N4959 2N2857	2N4958	2N4957	2N5829 MRF901 2N6604	2N6603	PNP NPN NPN
3.5	2N4959 2N5179	2N4959 2N5179	2N4959 2N2857	2N4958 2N5032	2N4957 2N5031	MRF901	PNP NPN
4.0	2N4959 2N5179	2N4959 2N5179	2N4959 2N5179	2N4959 2N2857	2N4958 2N5031	2N6604	PNP NPN
4.5	2N4959 2N5179	2N4959 2N5179	2N4959 2N5179	2N4959 2N2857	2N4959 2N5032		PNP NPN