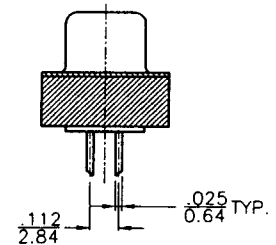
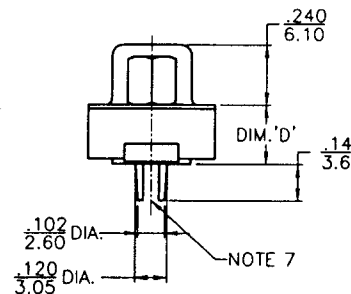
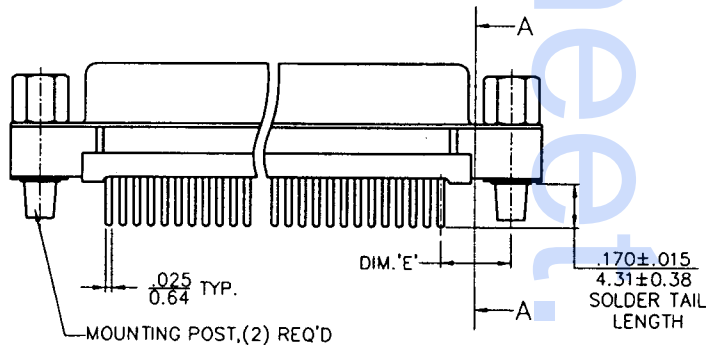
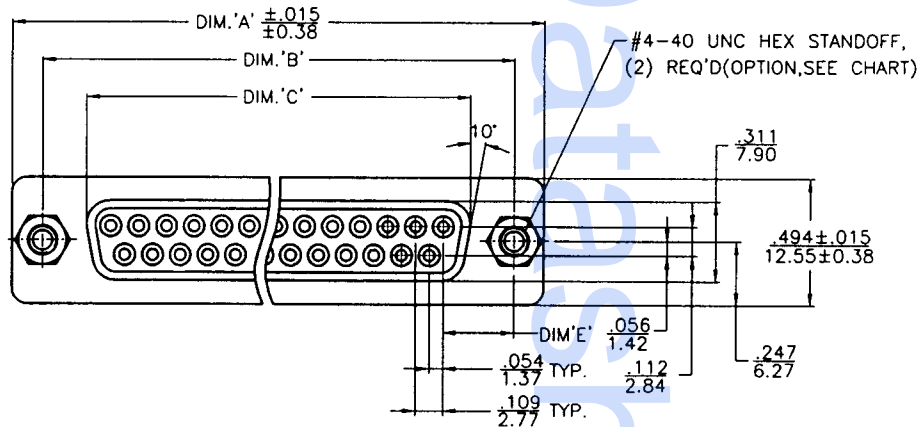


PRODUCT NO.

SEE CHART



SECTION A-A

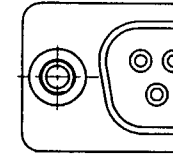
This drawing is the property of BERG ELECTRONICS, INC. and is to be used only for the specific application for which it was prepared. It is not to be used for any other application without the express written consent of BERG ELECTRONICS, INC.

BERG
ELECTRONICS

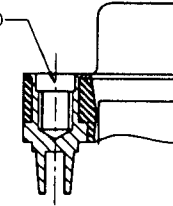
All rights are reserved. Reproduction or use in any other form without the express written consent of BERG ELECTRONICS, INC. is prohibited.

mat'l. code		tolerances unless otherwise specified		CUSTOMER COPY	BERG ELECTRONICS	
ltr	ecm no	dr	date	linear	projection	title
A	T70455	JC	10/24/97			
B	T80556	BEHWY	12/02/98	angles	INCH/MM	product family
						D-SUB
						code
						TWN
						size
						dwg no
						scale
						A3
						73739
sheet	revision	B	B	B		sheet
index	sheet	1	2	3		1 of 3

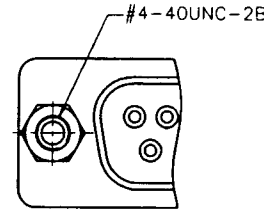
PRODUCT NO.	NO. OF CONTACT	DIM"A"	DIM"B"	DIM"C"	DIM"D"	DIM"E"
73739-XXAX09	09	30.84/1.214	24.99/0.984	16.26/0.640	6.02/0.237	6.96/0.274
73739-XXAX15	15	39.24/1.545	33.32/1.312	24.56/0.967	6.02/0.237	6.96/0.274
73739-XXAX25	25	53.04/2.088	47.04/1.852	38.30/1.508	6.02/0.237	6.91/0.232
73739-XXAX37	37	69.34/2.730	63.50/2.500	54.76/2.156	6.02/0.237	6.83/0.269
73739-XXBX09	09	30.84/1.214	24.99/0.984	16.26/0.640	7.90/0.311	6.96/0.274
73739-XXBX15	15	39.24/1.545	33.32/1.312	24.56/0.967	7.90/0.311	6.96/0.274
73739-XXBX25	25	53.04/2.088	47.04/1.852	38.30/1.508	7.90/0.311	6.91/0.232
73739-XXBX37	37	69.34/2.730	63.50/2.500	54.76/2.156	7.90/0.311	6.83/0.269
73739-XXCX09	09	30.84/1.214	24.99/0.984	16.26/0.640	11.48/0.452	6.96/0.274
73739-XXCX15	15	39.24/1.545	33.32/1.312	24.56/0.967	11.48/0.452	6.96/0.274
73739-XXCX25	25	53.04/2.088	47.04/1.852	38.30/1.508	11.48/0.452	6.91/0.232
73739-XXCX37	37	69.34/2.730	63.50/2.500	54.76/2.156	11.48/0.452	6.83/0.269
73739-XXDX09	09	30.84/1.214	24.99/0.984	16.26/0.640	7.10/0.280	6.96/0.274
73739-XXDX15	15	39.24/1.545	33.32/1.312	24.56/0.967	7.10/0.280	6.96/0.274
73739-XXDX25	25	53.04/2.088	47.04/1.852	38.30/1.508	7.10/0.280	6.91/0.232
73739-XXDX37	37	69.34/2.730	63.50/2.500	54.76/2.156	7.10/0.280	6.83/0.269
73739-XXEX09	09	30.84/1.214	24.99/0.984	16.26/0.640	11.95/0.470	6.96/0.274
73739-XXEX15	15	39.24/1.545	33.32/1.312	24.56/0.967	11.95/0.470	6.96/0.274
73739-XXEX25	25	53.04/2.088	47.04/1.852	38.30/1.508	11.95/0.470	6.91/0.232
73739-XXEX37 (SEE NOTE 2)	37	69.34/2.730	63.50/2.500	54.76/2.156	11.95/0.470	6.83/0.269



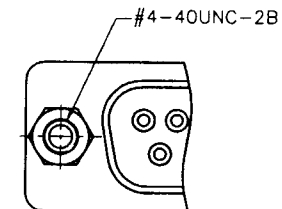
#4-40-UNC THREADED
INSERT FLUSH MOUNT



TYPE: 'O'

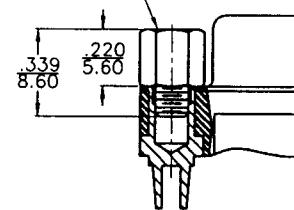


#4-40UNC-2B



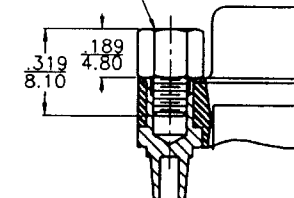
#4-40UNC-2B

#4-40 HEX-STANDOFF
(2)REQ'D



TYPE: 'A'

#4-40 HEX-STANDOFF
(2)REQ'D



TYPE: 'B'

FIGURE 1. OPTIONS FOR HEX-NUT STANDOFF

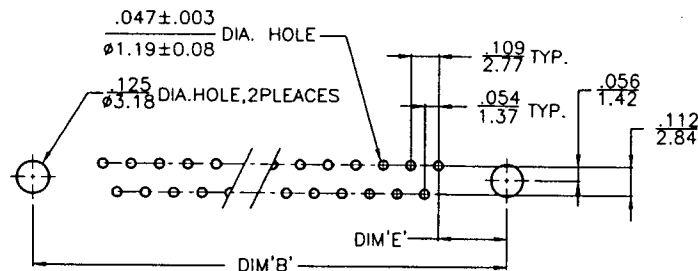


FIGURE 2. RECOMMENDED PCB LAYOUT

mat'l. code		tolerances unless otherwise specified		CUSTOMER COPY		BERG ELECTRONICS	
ltr	ecn no	dr	date	linear	$.0 \pm 0.38 / .00 \pm .015$	projection	title
B					$.00 \pm 0.25 / .000 \pm .010$		D-SUB, FEMALE VERTICAL
				angles	$.000 \pm 0.051 / .0000 \pm .002$		
					$0 \pm 2'$		
		dr	J. C LAI	10/24/97	INCH/MM	product family	D-SUB
		enrg	J. C LAI	10/24/97		size	dwg no
		chr	C.L. CHEN	10/24/97	scale	A3	73739
		appd	C.L. CHEN	10/24/97			
sheet index	revision sheet						code TWN
							sheet 2 of

PRODUCT NO.

SEE CHART

NOTES :

1. MATERIAL :

- a. HOUSING: GF POLYESTER, FLAME RETARDANT PER UL94V-0, COLOR: BLACK.
- b. SHELL : STEEL STRIP WITH NIKEL OR TIN PLATING, THE SELECTION SEE NOTE 2.
- c. CONTACTS : PHOSPHER BRONZE WITH GOLD PLATING ON THE CONTACT AREA AND TIN PLATING ON THE SOLDER TAIL. THE SELECTION SEE NOTE 2.

2. THE PART NUMBERS ARE ASSIGNED AS FOLLOWS:

73739-X X X X YY

- NO. OF CONTACT, SEE CHART.
- SHELL PLATING & MOUNTING POST TYPE : 1 FOR NICKEL SHELL WITH BOTH MOUNTING POSTS.
3 FOR TIN SHELL WITH BOTH MOUNTING POSTS.
- PROFILE HEIGHT TYPE PER DIM.'D', SEE CHART.
- HEX -STANDOFF: 0 FOR TYPE "0", A FOR TYPE "A", B FOR TYPE "B"
- CONTACT PLATING: 0 FOR GOLD FLUSH
1 FOR 10 MICROINCH GOLD.
3 FOR 30 MICROINCH GOLD.
5 FOR 15 MICROINCH GOLD.

- 3. RECOMMENDED PCB MOUNTING LAYOUT SHOWN IN FIGURE 2.
- 4. THE OPTIONS FOR HEX-STANDOFF PER FIGURE 1.
- 5. THE MOUNTING POSTS ARE FOR .125/3.18 DIA. PCB HOLE.
- 6. BOTH HEX-STANDOFF SHALL BE FASTERNED WITH D-SUB TOGETHER.
- 7. THE SLOT CAN BE SEATED AT ANY ANGLE POSITION AFTER FASTERNED WITH D-SUB TOGETHER.

All rights reserved. Reproduction or use in any form without written authority from the proprietor, BERG ELECTRONICS.



All rights reserved. Reproduction or use in any form without written authority from the proprietor, BERG ELECTRONICS.

mat'l. code		tolerances unless otherwise specified		CUSTOMER COPY		BERG ELECTRONICS	
ltr	ecn no	dr	date	linear	.00±0.13/.000±.005	projection	title
B				angles	0°±2°		D-SUB, FEMALE VERTICAL
				dr	J. C. LAI 10/24/97	MM/INCH	product family D-SUB
				enr	J. C. LAI 10/24/97	←→	code
				chr	C.L. CHEN 10/24/97	scale	size
				ppd	C.L. CHEN 10/24/97	A3	dwg no
sheet	revision						3 of
index	sheet						73739