

# premise cable

# Datasheet.Live



### premise products

- Simplex Cable
- Zipcord Cable
- DUAL-Link Cable
- QUAD-Link Cable
- Circular Premise Cable (CPC)
- Armored Tight Buffered CPC
- Multi-Unit CPC
- Indoor/Outdoor Plenum Tight Buffered Cable
- Breakout Cable
- RIBBON-Link® Cable

AFL Telecommunications has leveraged more than 15 years of fiber optic cabling experience in developing its full line of premise tight-buffered cables for VOICE, VIDEO and DATA needs. Our premise cables have been successfully incorporated in all major telecommunications application spaces - Telco Central Offices, Multi-building Campus / Enterprise LAN's, CATV hub sites, Government & Military applications, and high-speed data storage facilities.

AFL Telecommunications AFL-Link® brand of optical fiber cables deploy state-of-the-art laser certified fibers that meet all requirements of legacy networks, as well as the needs of VCSEL driven Gigabit Ethernet and 10 Gigabit Ethernet networks. Go further faster by specifying Laser-Link or Giga-Link™ optical performance cables which offer the highest "bandwidth per buck" in the industry.

### features

Offering unsurpassed flexibility and the highest density for the LAN, AFL's Circular Premise Cables eliminate the need to flounder with commonly stiff and inflexible high fiber count trunk cables.

AFL Telecommunications has established itself as a leader with Ribbon Interconnect Solutions, offering high quality multimode ribbon in plenum and riser packages averaging less than 50% of the area and twice the flexibility of equal fiber count distribution cables.

For interconnect applications, we offer the broadest selection of various diameter simplex, zipcord and Dual-Link premise cable products.

AFL Telecommunications' variety of high quality premise cabling products and the AFL-Link® Lifetime System Warranty allow specification and installation of an entire fiber optic system with confidence.



# premise cable overview

All AFL Telecommunications' premise cables feature the following (unless otherwise noted):

- Single-mode and multimode fiber
- High tolerance 900µm buffer optimized for secure and reliable connectorization with all types of fiber connectors (125/250/900µm)
- Aramid yarn reinforcement for rugged protection
- Increased flexibility for ease of routing
- UL or ETL listed to meet UL 1666 OFNR and CSA FT-4 requirements
- UL or ETL listed to meet UL 910 OFNP and CSA FT-6 requirements
- Tested and designed in accordance to Bellcore GR-409-CORE, as well as EIA/TIA 568A
- Ease of stripping for field installable connectors or splicing
- Standard jacket colors (yellow for single-mode; orange for multimode)

## temperature range

Riser Cable	Storage/Shipping	-40°F to +158°F	-40°C to +70°C
	Operating	-4°F to +158°F	-20°C to +70°C
Plenum Cable	Storage/Shipping	-40°F to +158°F	-40°C to +70°C
	Operating	-4°F to +158°F	-20°C to +70°C

## optical performance specifications (tight buffered cables)

Core Size/ Fiber Type	Maximum Attenuation (dB/km)			Overfill Launch Min. Bandwidth (MHz•km)		Gigabit Ethernet Min. Link Distance (meters)		10 Gigabit Ethernet Min. Link Distance (meters)	
	850nm	1300nm	1550nm	850nm	1300nm	850nm	1300nm	850nm	1300nm
(6) 62.5 Giga-Link™ 300	3.5	1.2	N/A	200	600	300	550	32	-
(8) 62.5 Giga-Link™ 1000	3.5	1.2	N/A	350	600	500	1000	65	-
(5) 50 Giga-Link™ 600	3.5	1.5	N/A	500	500	600	600	82	-
(7) 50 Giga-Link™ 2000	3.5	1.2	N/A	500	800	750	2000	110	-
(L) 50 Laser-Link 300	3.5	1.2	N/A	1500	500	900	550	300	-
(9) SM	N/A	0.5	0.5	N/A	N/A	N/A	5,000	N/A	10,000
(1) 100/140 Multimode	5.5	3.5	N/A	100	100	N/A	N/A	N/A	N/A



# simplex cable

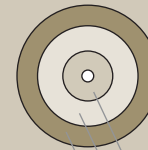


Simplex fiber optic cables provide the strength and flexibility required for today's fiber interconnect applications. AFL offers the broadest selection of simplex cordage including plenum, riser and LSZH, available in all diameters. Our simplex cable is tested to meet Telcordia GR-326 when used in connectorized assemblies. AFL provides customized performance with regard to jacket stiffness and flexibility, diameter, print legend, jacket color and tight buffer strippability. The easy strip option allows removal of up to one meter of 900µm material without stripping the fiber's 250µm coating.

## applications

- Fiber patch panels within communications closets
- Links between electronic equipment and fiber patch panels
- Connectorized patch cords for cross connect applications

## cable components



tight buffered fiber (900µm buffer)  
aramid yarn  
outer jacket

## mechanical data

CONFIGURATION	PART NUMBER		Fiber Count	NOMINAL DIAMETER Inches (mm)	WEIGHT (RISER) lbs/1000ft (kg/km) (PLENUM) lbs/1000ft (kg/km)		TENSION lbs (N)		BENDING RADIUS inches (cm)	
	Riser	Plenum			Installation	Long Term	Installation	Long Term		
Simplex Cable	SR001*301001	SP001*301001	1	0.11 (2.9)	5 (7)	6 (9)	119 (530)	60 (267)	2.0 (5.0)	1.2 (3.0)
	SR001*241001	SP001*241001	1	0.09 (2.4)	3 (5)	5 (7)	119 (530)	60 (267)	2.0 (5.0)	1.2 (3.0)
	SR001*201001	SP001*201001	1	0.08 (2.0)	3 (4)	3 (5)	64 (285)	32 (142)	2.0 (5.0)	1.2 (3.0)
	SR001*161001	SP001*161001	1	0.06 (1.6)	2 (3)	2 (3)	48 (213)	24 (106)	2.0 (5.0)	1.2 (3.0)

★ Please specify fiber type when ordering (see below)

1 = 100/140µm multimode fiber  
5 = 50/125µm multimode GIGA-Link™ 600  
7 = 50/125µm multimode GIGA-Link™ 2000  
6 = 62.5/125µm multimode GIGA-Link™ 300  
8 = 62.5/125µm multimode GIGA-Link™ 1000  
9 = 9/125µm single-mode  
L = 50/125µm multimode Laser-Link 300 for 10 Gigabit Ethernet

(see page P-2 for optical performance specs for these fiber types)  
Contact Customer Service for special fiber types/performance needs.

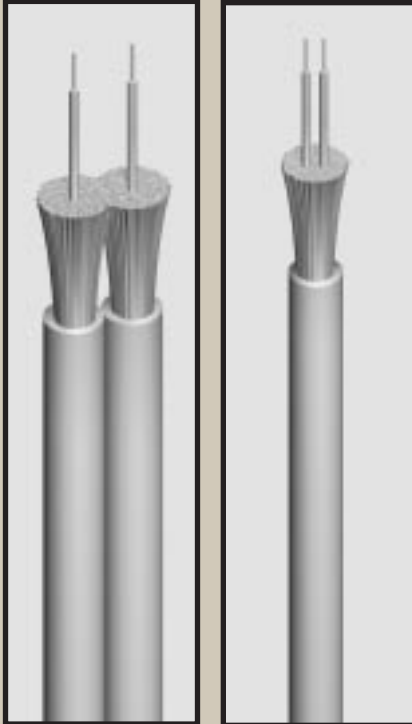
## cable length - reel size

ITEM	REEL Z	REEL A	REEL B
Reel Height (inches)	14.0	16.0	24.0
Reel Outside Width (inches)	12.0	15.0	17.0
Drum Diameter (inches)	8.0	8.0	12.0
Reel Weight (lbs)	7	10	23
CAPACITY: METERS / (FEET)			
Simplex 1.6	5,000 / (16,404)	5,000 / (16,404)	---
Simplex 2.0	3,500 / (11,483)	5,000 / (16,404)	---
Simplex 2.4	---	4,000 / (13,123)	5,000 / (16,404)
Simplex 3.0	---	2,500 / (8,202)	5,000 / (16,404)



For more information or to place an order call 1.800.235.3423

# zipcord & dual-link cable



Zipcord and DUAL-Link cables are available to provide links to the future for such protocols as FDDI, 10 Gigabit Ethernet, ATM, and Fibre Channel. Connections are easy to terminate with this flexible, two-fiber design.

AFL Telecommunications offers the broadest selection of duplex cordage including Plenum, Riser and LSZH in all diameters.

LSZH jacketed cables are OFNR listed. One cable design for global companies that don't want to maintain multiple cable types for varying global standards.

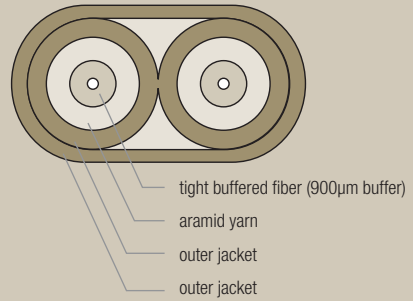
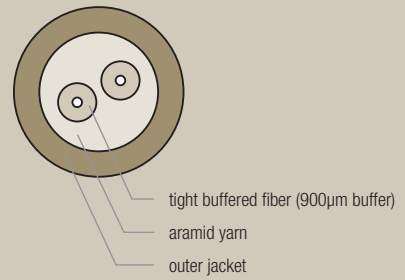
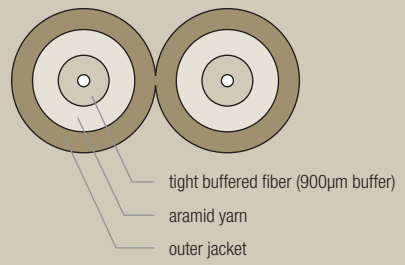
AFL Telecommunications has the capability to provide customized performance with regard to:

- Jacket stiffness and flexibility
- Diameter
- Print legend
- Jacket color
- Tight Buffer strippability (easy strip option allows removal of up to 1 meter of 900µm material without stripping the fiber's 250µm coating)
- Ruggedized Duplex designs for transport from the communications closet to wall outlet

### applications

- Communications closet to wall outlet
- Wall outlet to desk
- Connectorized patchcords for interconnect and cross-connect applications
- Easy interface to ESCON®, FDDI, and various other duplex connectors

### cable components



mechanical data

CONFIGURATION	PART NUMBER		Fiber Count	NOMINAL DIAMETER Inches (mm)	WEIGHT (RISER) lbs/1000ft (kg/km) (PLENUM) lbs/1000ft (kg/km)		TENSION lbs (N)		BENDING RADIUS inches (cm)	
	Riser	Plenum			Installation	Long Term	Installation	Long Term		
Zipcord	ZR002*301001	ZP002*301001	2	0.11 x 0.22 (2.9 x 6.0)	10 (15)	12 (18)	239 (1063)	119 (529)	2.0 (5.0)	1.2 (3.0)
	ZR002*241001	ZP002*241001	2	0.09 x 0.19 (2.4 x 4.8)	7 (10)	9 (14)	239 (1063)	119 (529)	2.0 (5.0)	1.2 (3.0)
	ZR002*201001	ZP002*201001	2	0.08 x 0.16 (2.0 x 4.0)	5 (8)	7 (10)	95 (423)	48 (213)	2.0 (5.0)	1.2 (3.0)
	ZR002*161001	ZP002*161001	2	0.06 x 0.12 (1.6 x 3.2)	4 (6)	7 (6)	64 (285)	32 (142)	2.0 (5.0)	1.2 (3.0)
DUAL-Link	DR002*481001	DP002*481001	2	0.19 (4.8)	13 (20)	17 (25)	214 (952)	107 (476)	3.1 (7.2)	2.0 (5.0)
	DR002*281001	DP002*281001	2	0.11 (2.8)	5 (7)	6 (9)	119 (529)	60 (267)	2.0 (5.0)	1.2 (3.0)
	DR002*241001	DP002*241001	2	0.094 (2.4)	3 (5)	5 (7)	100 (445)	50 (222)	2.0 (5.0)	1.2 (3.0)
Ruggedized Zipcord	RR002*301001		2	0.185 x 0.30 (4.7 x 7.6)	34 (50)		400 (1780)	200 (890)	2.8 (7.1)	1.9 (4.7)

★ Please specify fiber type when ordering (see below)

- 5 = 50/125µm multimode GIGA-Link™ 600
- 7 = 50/125µm multimode GIGA-Link™ 2000
- 6 = 62.5/125µm multimode GIGA-Link™ 300
- 8 = 62.5/125µm multimode GIGA-Link™ 1000
- 9 = 9/125µm single-mode
- L = 50/125µm multimode Laser-Link 300 for 10 Gigabit Ethernet

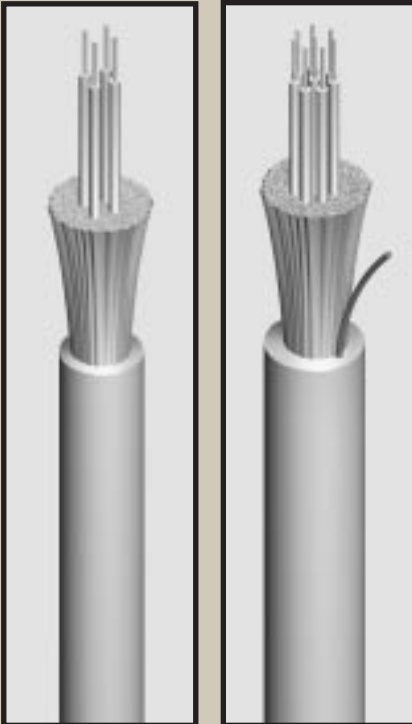
(see page P-2 or optical performance specs for these fiber types)  
Contact Customer Service for special fiber types/performance needs.

cable length - reel size

ITEM	REEL A	REEL B	REEL C
Reel Height (inches)	16	24	30
Reel Outside Width (inches)	15	17	15.25
Drum Diameter (inches)	8	12	12
Reel Weight (lbs)	10	23	34
<b>CAPACITY: METERS / (FEET)</b>			
Zipcord 1.6mm	4,500 / (14,764)	-----	-----
Zipcord 2.0mm	2,850 / (9,350)	5,000 / (16,400)	-----
Zipcord 2.4mm	2,000 / (6,562)	5,000 / (16,400)	-----
Zipcord 3.0mm	1,250 / (4,100)	4,000 / (13,123)	5,000 / (16,400)
DUAL-Link 2.4mm	4,000 / (13,123)	5,000 / (16,400)	-----
DUAL-Link 2.8mm	2,500 / (8,200)	5,000 / (16,400)	-----
DUAL-Link 4.8mm	900 / (2,953)	3,200 / (10,500)	4,500 / (14,764)
Ruggedized Duplex	-----	1,500 / (4,921)	2,500 / (8,200)



# quad-link & circular premise cable

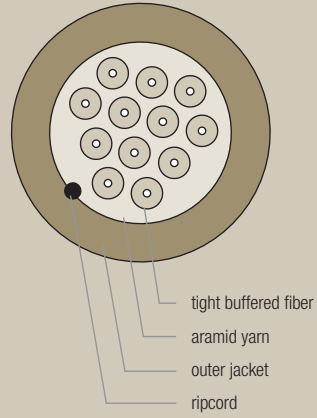
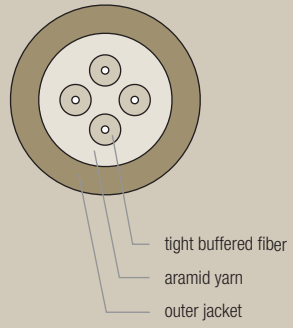


QUAD-Link and single unit Circular Premise Cable designs allow for excellent packaging density, flexibility, and ease of routing. Buffered to 900µm, these cables can be directly terminated into connectors in loaded panels or in communications closets.

### applications

- Connectorized communications cables with both send-and-receive and send-and-receive backup in a single unit
- Intra-building backbones
- Routing between communications closets and equipment rooms

### cable components





mechanical data

CONFIGURATION	PART NUMBER		Fiber Count	NOMINAL DIAMETER Inches (mm)	WEIGHT		TENSION lbs (N)		BENDING RADIUS inches (cm)	
					(RISER) lbs/1000ft (kg/km)	(PLENUM) lbs/1000ft (kg/km)	Installation	Long Term	Installation	Long Term
QUAD-Link	UR004*481001	UP004*481001	4	0.19	17	20	286	143	3.0	2.0
				(4.8)	(25)	(30)	(1272)	(636)	(7.2)	(4.8)
CPC	CR006*441001	CP006*441001	6	0.17	12	13	286	143	3.0	2.0
				(4.4)	(17)	(20)	(1272)	(636)	(6.6)	(4.4)
	CR008*481001	CP008*481001	8	0.19	13	17	239	119	3.0	2.0
				(4.8)	(19)	(25)	(1063)	(529)	(7.2)	(4.8)
	CR012*551001	CP012*551001	12	0.22	17	20	239	119	3.5	2.5
			(5.5)	(25)	(30)	(1063)	(529)	(8.3)	(5.5)	
CR018*801001	CP018*761001	18	0.32	34	38	286	143	5.0	3.2	
			(8.0)	(50)	(56)	(1272)	(636)	(12.0)	(8.0)	
CR024*861001	CP024*841001	24	0.34	41	46	641	321	5.5	3.5	
			(8.5)	(61)	(69)	(2852)	(1428)	(12.9)	(8.6)	

★ Please specify fiber type when ordering (see below)

- 5 = 50/125µm multimode GIGA-Link™ 600
- 7 = 50/125µm multimode GIGA-Link™ 2000
- 6 = 62.5/125µm multimode GIGA-Link™ 300
- 8 = 62.5/125µm multimode GIGA-Link™ 1000
- 9 = 9/125µm single-mode
- L = 50/125µm multimode Laser-Link 300 for 10 Gigabit Ethernet

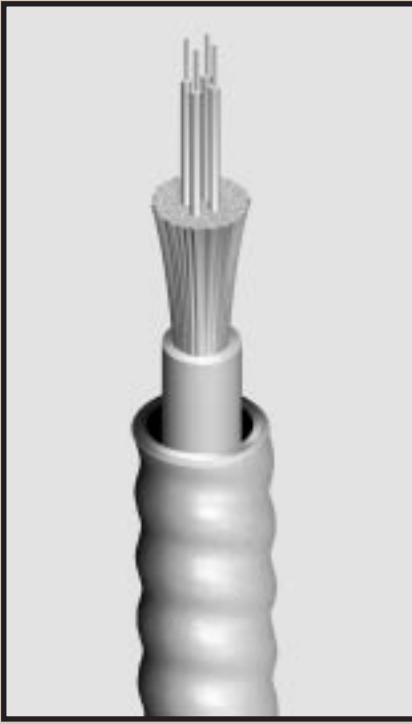
(see page P-2 for optical performance specs for these fiber types)  
Contact Customer Service for special fiber types/performance needs.

cable length - reel size

ITEM	REEL A	REEL B	REEL C	REEL D
Reel Height (inches)	16	24	30	34
Reel Outside Width (inches)	15	17	15.25	21.25
Drum Diameter (inches)	8	12	12	12
Reel Weight (lbs)	10	23	34	44
<b>CAPACITY: METERS / (FEET)</b>				
4 Fiber Quad-Link	1,000 / (3,281)	3,200 / (10,500)	5,000 / (16,404)	-----
6 Fiber CPC	1,200 / (3,937)	3,800 / (12,467)	5,000 / (16,404)	-----
8 Fiber CPC	1,000 / (3,281)	3,200 / (10,500)	5,000 / (16,404)	-----
12 Fiber CPC	800 / (2,625)	2,400 / (7,874)	4,000 / (13,123)	5,000 (16,404)
18 Fiber CPC (single unit)	-----	1,300 / (4,265)	2,100 / ( 6,890)	3,900 (12,795)
24 Fiber CPC (single unit)	-----	1,000 / (3,281)	1,700 / ( 5,777)	3,150 (10,335)



# armored tight buffered cpc cables

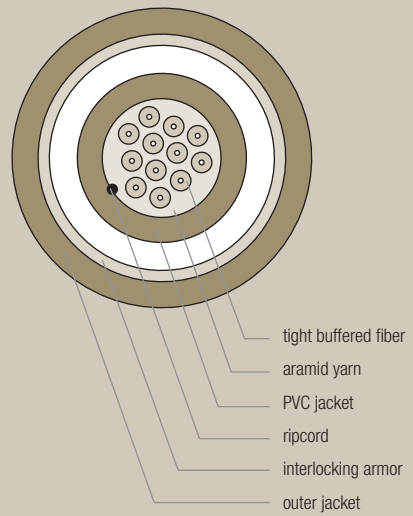


Armored Tight Buffered CPC Cables incorporate 4 to 144 fiber count CPC cables in a UL listed, jacketed, aluminum interlocking armor. Jacketed aluminum interlocking armor provides the best balance of ruggedness, flexibility, and low weight. UL listed armored cables with no outer jacket and UL listed armored cables with steel interlocking armor are also available. Contact customer service for mechanical specifications on 24 to 144 fiber count, multi-unit CPC cables with interlocking armor.

### applications

- Routing inside of buildings where additional ruggedness is required or where increased rodent resistance is required
- Extra protection for fiber optic cables in harsh industrial environments
- Manufacturing Plants

### cable components





## mechanical data

CONFIGURATION	PART NUMBER		Fiber Count	NOMINAL DIAMETER Inches (mm)	WEIGHT		TENSION lbs (N)		BENDING RADIUS inches (cm)	
	Riser	Plenum			(RISER) lbs/1000ft (kg/km)	(PLENUM) lbs/1000ft (kg/km)	Installation	Long Term	Installation	Long Term
CPC Cables w/Jacketed	UR004*481001-AIAR	UP004*481001-AIAP	4	0.50	26	30	286	143	7.5	5.0
				(12.7)	(39)	(45)	(1272)	(636)	(19.0)	(12.7)
Aluminum Interlocking Armor	CR006*441001-AIAR	CP006*441001-AIAP	6	0.48	21	23	286	143	7.2	4.8
				(12.2)	(31)	(34)	(1272)	(636)	(18.2)	(12.2)
Armor	CR008*481001-AIAR	CP008*481001-AIAP	8	0.50	22	27	239	119	7.5	5.0
				(12.7)	(33)	(40)	(1063)	(529)	(19.0)	(12.7)
	CR012*551001-AIAR	CP012*551001-AIAP	12	0.53	27	31	239	119	8.0	5.3
				(13.5)	(40)	(46)	(1063)	(529)	(20.3)	(13.4)
CR018*801001-AIAR	CP018*761001-AIAP	18	0.61	45	50	286	143	9.1	6.1	
			(15.5)	(67)	(75)	(1272)	(636)	(23.1)	(15.5)	
CR024*861001-AIAR	CP024*841001-AIAP	24	0.65	54	60	641	321	9.7	6.5	
			(16.5)	(80)	(89)	(2852)	(1428)	(24.6)	(16.5)	

★ Please specify fiber type when ordering (see below)

5 = 50/125µm multimode GIGA-Link™ 600

7 = 50/125µm multimode GIGA-Link™ 2000

6 = 62.5/125µm multimode GIGA-Link™ 300

8 = 62.5/125µm multimode GIGA-Link™ 1000

9 = 9/125µm single-mode

L = 50/125µm multimode Laser-Link 300 for 10 Gigabit Ethernet

(see page P-2 for optical performance specs for these fiber types)

Contact Customer Service for special fiber types/performance needs.

## cable length - reel size

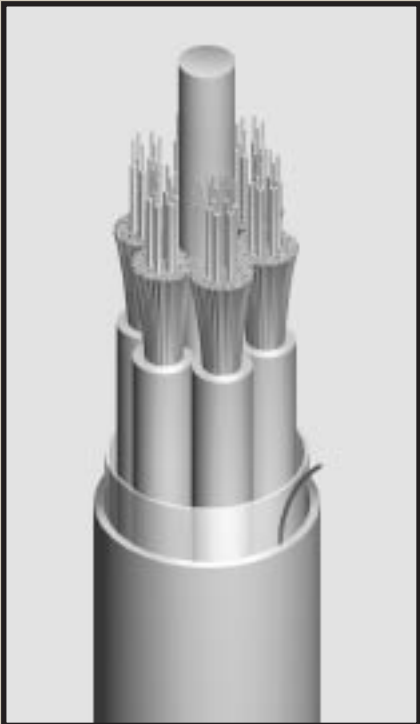
ITEM	REEL F	REEL G
Reel Height (inches)	42	60
Reel Outside Width (inches)	36	36
Drum Diameter (inches)	23	30
Reel Weight (lbs)	148	287

## CAPACITY: METERS / (FEET)

4 Fiber w/Interlocking Armor	2,600 (8,530)	5,000 (16,404)
6 Fiber w/Interlocking Armor	2,600 (8,530)	5,000 (16,404)
8 Fiber w/Interlocking Armor	2,600 (8,530)	5,000 (16,404)
12 Fiber w/Interlocking Armor	2,250 (7,382)	4,800 (15,748)
18 Fiber w/Interlocking Armor	1,700 (5,577)	3,600 (11,811)
24 Fiber w/Interlocking Armor	1,500 (4,921)	3,200 (10,500)



# multi-unit circular premise cable

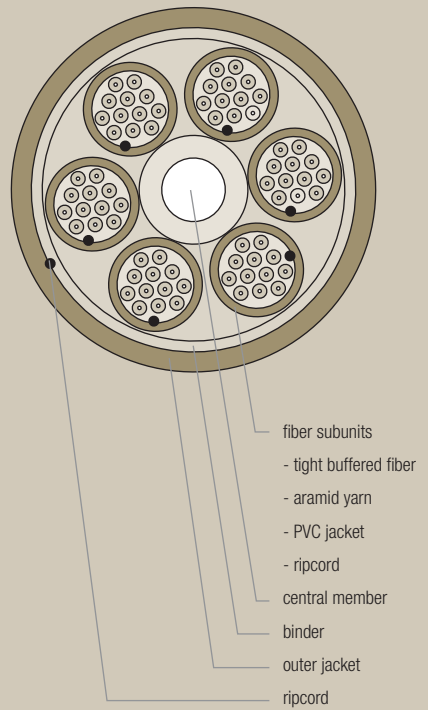


Multi-Unit Circular Premise Cables allow for use in applications requiring fiber counts between 24 and 144 fibers. Unitized construction allows for ease of fiber identification and rapid installation.

### applications

- Head-end termination to a fiber "backbone"
- Termination of fiber rack systems
- Multi-floor deployment where select fibers are used at each floor
- Intrabuilding "backbones"

### cable components



## mechanical data

CONFIGURATION	PART NUMBER		Fiber Count	NOMINAL DIAMETER Inches (mm)	WEIGHT		TENSION lbs (N)		BENDING RADIUS inches (cm)	
	Riser	Plenum			(RISER) lbs/1000ft (kg/km)	(PLENUM) lbs/1000ft (kg/km)	Installation	Long Term	Installation	Long Term
CPC with 6 Fiber Subunits	CR018*441001	CP018*441001	18	0.55 (13.3)	121 (180)	134 (200)	537 (2390)	270 (1202)	8.3 (20.0)	5.5 (13.3)
	CR024*441001	CP024*441001	24	0.55 (13.3)	121 (180)	134 (200)	716 (3186)	360 (1602)	8.3 (20.0)	5.5 (13.3)
	CR036*441001	CP036*441001	36	0.62 (15.6)	147 (220)	171 (255)	1074 (4779)	540 (2403)	9.2 (23.4)	6.2 (15.6)
CPC with 12 Fiber Subunits	CR036*551001	CP036*551001	36	0.61 (15.4)	120 (180)	134 (200)	717 (3190)	357 (1589)	9.1 (23.1)	6.1 (15.4)
	CR048*551001	CP048*551001	48	0.61 (15.4)	120 (180)	134 (200)	956 (4254)	476 (2118)	9.1 (23.1)	6.1 (15.4)
	CR060*551001	CP060*551001	60	0.69 (17.6)	147 (220)	171 (255)	1195 (1124)	595 (2647)	10.4 (26.4)	6.9 (17.6)
	CR072*551001	CP072*551001	72	0.76 (19.3)	184 (275)	211 (315)	1434 (6381)	714 (3177)	11.4 (29.0)	7.6 (19.3)
	CR096*551001	CP096*551001	96	0.90 (22.8)	281 (420)	295 (440)	1912 (8508)	952 (7616)	13.5 (34.2)	9.0 (22.8)
	CR144*551001	CP144*551001	144	1.0 (25.4)	288 (430)	302 (450)	2868 (12,762)	1428 (6354)	15.0 (38.1)	10.0 (25.4)

★ Please specify fiber type when ordering (see below)

5 = 50/125µm multimode GIGA-Link™ 600

7 = 50/125µm multimode GIGA-Link™ 2000

6 = 62.5/125µm multimode GIGA-Link™ 300

8 = 62.5/125µm multimode GIGA-Link™ 1000

9 = 9/125µm single-mode

L = 50/125µm multimode Laser-Link 300 for 10 Gigabit Ethernet

(see page P-2 for optical performance specs for these fiber types)

Contact Customer Service for special fiber types/performance

## cable length - reel size

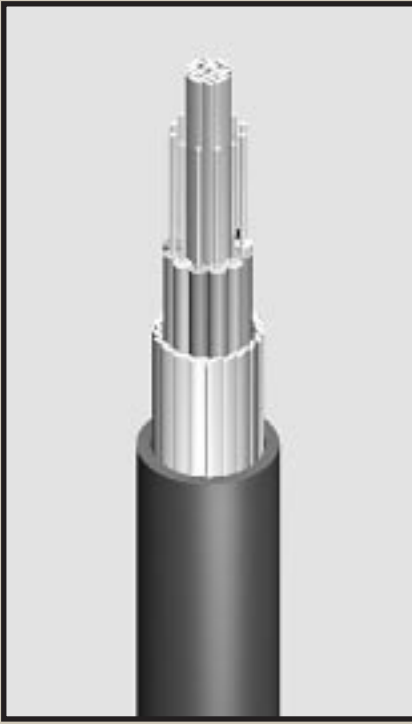
ITEM	REEL F	REEL G
Reel Height (inches)	42	60
Reel Outside Width (inches)	36	36
Drum Diameter (inches)	23	30
Reel Weight (lbs)	148	287

## CAPACITY: METERS / (FEET)

18 Fiber CPC	2,300 / (7,546)	2,500 / (8,200)
24 Fiber CPC	2,300 / (7,546)	2,500 / (8,200)
36 Fiber CPC (6F subunits)	1,600 / (5,250)	2,500 / (8,200)
36 Fiber CPC (12F subunits)	1,500 / (4,921)	-----
48 Fiber CPC	1,500 / (4,921)	-----
60 Fiber CPC	1,250 / (4,100)	1,500 / (4,921)
72 Fiber CPC	1,000 / (3,280)	1,500 / (4,921)
96 Fiber CPC	-----	1,500 / (4,921)
144 Fiber CPC	-----	1,300 / (4,265)



# indoor/outdoor plenum tight buffered cable



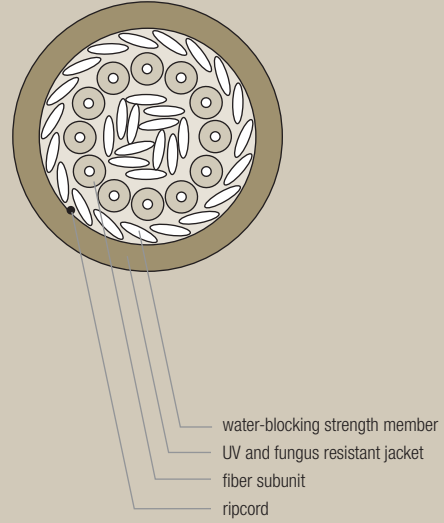
Indoor/Outdoor Tight Buffered Cables are specified for campus network cabling between buildings where interbuilding lengths are short enough that the installer can recognize savings from the lower costs of terminating tight buffered cables. For longer inter-building runs, consider AFL's Indoor/Outdoor Riser Loose Tube Cables

For indoor applications the cable is UL910 (OFNP) listed. For outdoor applications the cable is manufactured with an outer jacket that incorporates a UV stabilizer for protection against exposure to the sun plus an anti-fungus protection for use in underground applications.

### features

- Cables are water blocked and meet water penetration requirements of GR-20-CORE (this helps ensure that any damage to cable is restricted to a repairable length of several meters and minimizes the likelihood of having to replace the entire cable in the case of backhoe damage)
- Outer jacket is moisture-resistant, fungus-resistant and UV resistant for outdoor use
- 6 to 24 fiber cables meet typical outside plant installation load requirements of up to 600 lbs.
- With a plenum rating, this cable can be used in all environments: plenum, riser, general inside plant, outside plant

### cable components



## mechanical data

CONFIGURATION	PART NUMBER	Fiber Count	NOMINAL DIAMETER Inches (mm)	WEIGHT lbs/1000ft (kg/km)	TENSION lbs (N)		BENDING RADIUS inches (cm)	
					Installation	Long Term	Installation	Long Term
Indoor/Outdoor Tight Buffered Cable	KP002*481001	2	0.19 (4.8)	18 (27)	400 (1780)	200 (890)	3.8 (9.6)	1.9 (4.8)
	KP004*481001	4	0.19 (4.8)	18 (27)	400 (1780)	200 (890)	3.8 (9.6)	1.9 (4.8)
	KP006*551001	6	0.22 (5.5)	22 (33)	600 (2670)	300 (1335)	4.3 (11.0)	2.2 (5.5)
	KP008*601001	8	0.24 (6.0)	26 (38)	600 (2670)	300 (1335)	4.7 (12.0)	2.4 (6.0)
	KP012*701001	12	0.26 (7.0)	34 (50)	600 (2670)	300 (1335)	5.5 (14.0)	2.8 (7.0)
	KP018*781001	18	0.28 (7.8)	40 (60)	600 (2670)	300 (1335)	6.1 (15.6)	3.1 (7.8)
	KP024*851001	24	0.33 (8.5)	54 (80)	600 (2670)	300 (1335)	6.7 (17.0)	3.4 (8.5)

★ Please specify fiber type when ordering (see below)

5 = 50/125µm multimode GIGA-Link™ 600

7 = 50/125µm multimode GIGA-Link™ 2000

6 = 62.5/125µm multimode GIGA-Link™ 300

8 = 62.5/125µm multimode GIGA-Link™ 1000

9 = 9/125µm single-mode

L = 50/125µm multimode Laser-Link 300 for 10 Gigabit Ethernet

(see page P-2 for optical performance specs for these fiber types)

Contact Customer Service for special fiber types/performance needs.

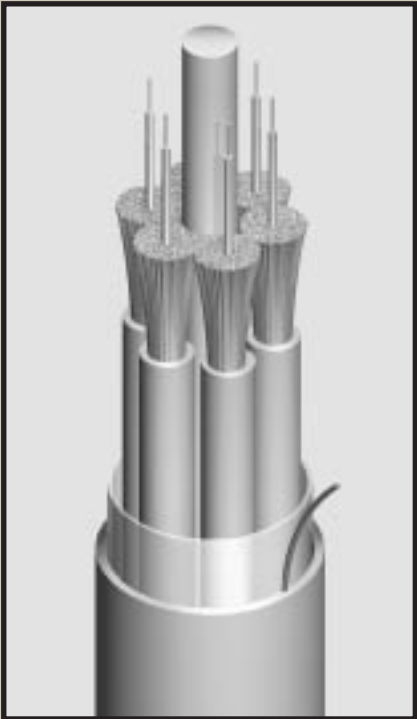
Standard jacket color is black. Other colors available by request.

## cable length - reel size

ITEM	REEL A	REEL B	REEL C	REEL D	REEL E
Reel Height (inches)	16	24	30	34	34
Reel Outside Width (inches)	15	17	15.25	21.25	20
Drum Diameter (inches)	8	12	12	12	24
Reel Weight (lbs)	10	23	34	44	48
<b>CAPACITY: METERS / (FEET)</b>					
2 Fiber	1,000 / (3,281)	3,200 / (10,500)	5,000 / (16,404)	-----	-----
4 Fiber	1,000 / (3,281)	3,200 / (10,500)	5,000 / (16,404)	-----	-----
6 Fiber	-----	2,400 / (7,874)	4,000 / (13,123)	5,000 (16,404)	-----
8 Fiber	-----	2,400 / (7,874)	4,000 / (13,123)	5,000 (16,404)	-----
12 Fiber	-----	1,300 / (4,265)	2,100 / ( 6,890)	3,900 (12,795)	-----
18 Fiber	-----	-----	-----	-----	1,500 (4,921)
24 Fiber	-----	-----	-----	-----	1,500 (4,921)



# breakout cable

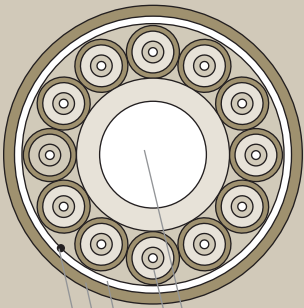


Breakout cables combine multiple fiber flexibility with the strength of individually jacketed fibers. Breakout cables from AFL Telecommunications can be terminated for fanout assemblies.

### applications

- Rugged multi-fiber cross-connects
- Intrabuilding "backbone"
- Fiber "backbone" to communications closet
- Riser subunits 2.4mm
- Plenum subunits 3.0mm

### cable components



- central member
- fiber subunit
  - 900µm buffer
  - aramid
  - PVC jacket
- core wrap tape
- outer jacket
- ripcord





## mechanical data

CONFIGURATION	PART NUMBER	Fiber Count	NOMINAL DIAMETER Inches (mm)	WEIGHT lbs/1000ft (kg/km)	TENSION lbs (N)		BENDING RADIUS inches (cm)	
					Installation	Long Term	Installation	Long Term
Riser Breakout Cable	BR004*241001	4	0.33 (8.5)	44 (65)	448 (2000)	225 (1000)	5.1 (12.8)	3.4 (8.5)
	BR006*241001	6	0.40 (10.1)	64 (95)	674 (3000)	337 (1500)	6.0 (15.2)	4.0 (10.1)
	BR008*241001	8	0.46 (11.6)	84 (125)	899 (4000)	449 (2000)	6.9 (17.4)	4.6 (11.6)
	BR012*241001	12	0.58 (14.7)	138 (205)	1,398 (6000)	674 (3000)	8.7 (22.1)	5.8 (14.7)
Plenum Breakout Cable	BP004*301001	4	0.36 (9.0)	57 (85)	448 (2000)	225 (1000)	5.3 (13.5)	3.6 (9.0)
	BP006*301001	6	0.42 (10.6)	79 (118)	674 (3000)	337 (1500)	6.3 (15.9)	4.2 (10.6)
	BP008*301001	8	0.48 (12.2)	105 (156)	899 (4000)	449 (2000)	7.2 (18.3)	4.8 (12.2)
	BP012*301001	12	0.61 (15.5)	169 (252)	1,398 (6000)	674 (3000)	9.2 (23.2)	6.1 (15.5)

★ Please specify fiber type when ordering (see below)

5 = 50/125µm multimode GIGA-Link™ 600

7 = 50/125µm multimode GIGA-Link™ 2000

6 = 62.5/125µm multimode GIGA-Link™ 300

8 = 62.5/125µm multimode GIGA-Link™ 1000

9 = 9/125µm single-mode

L = 50/125µm multimode Laser-Link 300 for 10 Gigabit Ethernet

(see page P-2 for optical performance specs for these fiber types)

Contact Customer Service for special fiber types/performance needs.

## cable length - reel size

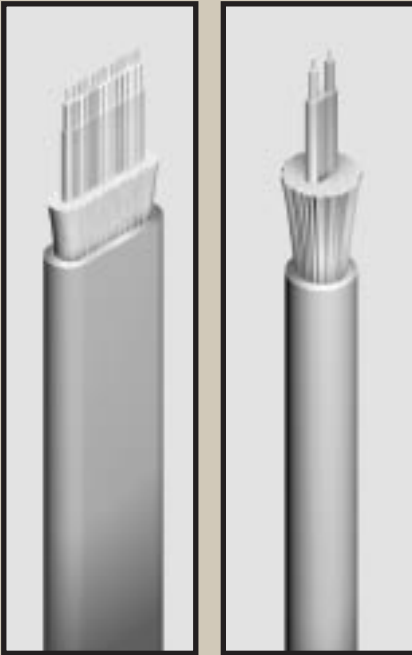
ITEM	REEL F
Reel Height (inches)	42
Reel Outside Width (inches)	36
Drum Diameter (inches)	23
Reel Weight (lbs)	148

## CAPACITY: METERS / (FEET)

4 Fiber Breakout	2,500 / (8,200)
6 Fiber Breakout	2,500 / (8,200)
8 Fiber Breakout	2,500 / (8,200)
12 Fiber Breakout	1,600 / (5,250)



# ribbon-link® cable



RIBBON-Link® cables combine high fiber density in a small diameter, flexible package. These cables can be terminated with 12 or 24 fiber multi-fiber connectors or the fibers can be fanned out and terminated individually. Plenum, Riser and LSZH options are all UL listed.

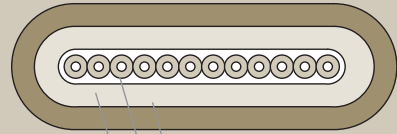
### applications

- Direct interface to computers with the use of “back-plane” style fiber connectors
- High density interconnection to wall outlets or patch panels with ribbon connector interfaces
- “Micro-diameter” fanout cables utilizing standard industry fiber connectors (ST®, SC, FC, LC, MT-RJ.)
- VSR OC-192/OC-768 Interface based on parallel fiber optics

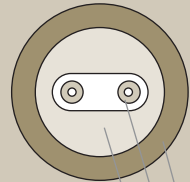
### features

- Fiber counts up to 48 with unitized, zip configuration construction
- Maximum of 2 twelve fiber ribbons per unit
- Skew matched ribbons available (<10, <6, <5, <4, <3, <2, <1.2 ps/meter)
- Easy interface to MT and MTP based connectors as well as today’s newest ribbon connectors (12 or 24 fiber ferrules)
- Ruggedized versions with additional jacketing are available

### cable components



outer jacket  
fiber subunit  
aramid yarn



outer jacket  
fiber subunit  
aramid yarn





## mechanical data

CONFIGURATION	PART NUMBER			Fiber Count	NOMINAL DIAMETER Inches (mm)	WEIGHT lbs/1000ft (kg/km)	TENSION lbs (N)		BENDING RADIUS inches (cm)	
	PLENUM	RISER	LSZH				Installation	Long Term	Installation	Long Term
RIBBON-LINK® (single pod)	WP004*141012	WR004*141012	WE004*141012	4	0.08 x 0.16 (2.1 x 4.0)	7.5 (11)	179 (797)	90 (400)	2.4 (6.0)	1.6 (4.0)
	WP006*161012	WR006*161012	WE006*161012	6	0.08 x 0.16 (2.1 x 4.0)	7.5 (11)	179 (797)	90 (400)	2.4 (6.0)	1.6 (4.0)
	WP008*181012	WR008*181012	WE008*181012	8	0.08 x 0.16 (2.1 x 4.0)	7.5 (11)	179 (797)	90 (400)	2.4 (6.0)	1.6 (4.0)
	WP012*1C1012	WR012*1C1012	WE012*1C1012	12	0.08 x 0.18 (2.1 x 4.6)	8 (12)	179 (797)	90 (400)	2.7 (6.9)	1.8 (4.6)
(dual-pod)	WP008*241012	WR008*241012	WE008*241012	8	0.08 x 0.32 (2.1 x 8.2)	15 (22)	358 (1593)	179 (797)	2.4 (6.0)	1.6 (4.0)
	WP012*261012	WR012*261012	WE012*261012	12	0.08 x 0.32 (2.1 x 8.2)	15 (22)	358 (1593)	179 (797)	2.4 (6.0)	1.6 (4.0)
	WP016*281012	WR016*281012	WE016*281012	16	0.08 x 0.32 (2.1 x 8.2)	15 (22)	358 (1593)	179 (797)	2.4 (6.0)	1.6 (4.0)
	WP024*2C1012	WR024*2C1012	WE024*2C1012	24	0.08 x 0.36 (2.1 x 9.2)	15 (24)	358 (1593)	179 (797)	2.7 (6.9)	1.8 (4.6)
ROUND RIBBON (simplex)	WP002*301001	WR002*301001	WE002*301001	2	0.11 (2.9)	5 (7)	119 (529)	60 (267)	2.0 (5.0)	1.2 (3.0)
	WP004*301001	WR004*301001	WE004*301001	4	0.11 (2.9)	5 (7)	119 (529)	60 (267)	2.0 (5.0)	1.2 (3.0)
(zipcord)	YP004*301001	YR004*301001	YE004*301001	4	0.11 x 0.23 (2.9 x 5.8)	10 (14)	238 (1059)	120 (534)	2.0 (5.0)	1.2 (3.0)
	YP008*301001	YR008*301001	YE008*301001	8	0.11 x 0.23 (2.9 x 5.8)	10 (14)	238 (1059)	120 (534)	2.0 (5.0)	1.2 (3.0)

\* Please specify fiber type when ordering (see below)

5 = 50/125µm multimode GIGA-Link™ 600

7 = 50/125µm multimode GIGA-Link™ 2000

6 = 62.5/125µm multimode GIGA-Link™ 300

8 = 62.5/125µm multimode GIGA-Link™ 1000

9 = 9/125µm single-mode

L = 50/125µm multimode Laser-Link 300 for 10 Gigabit Ethernet

Contact Customer Service for optical performance specifications and for additional mechanical specifications.



For more information or to place an order call 1.800.235.3423