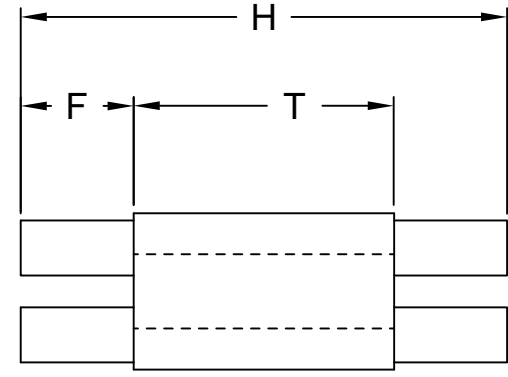
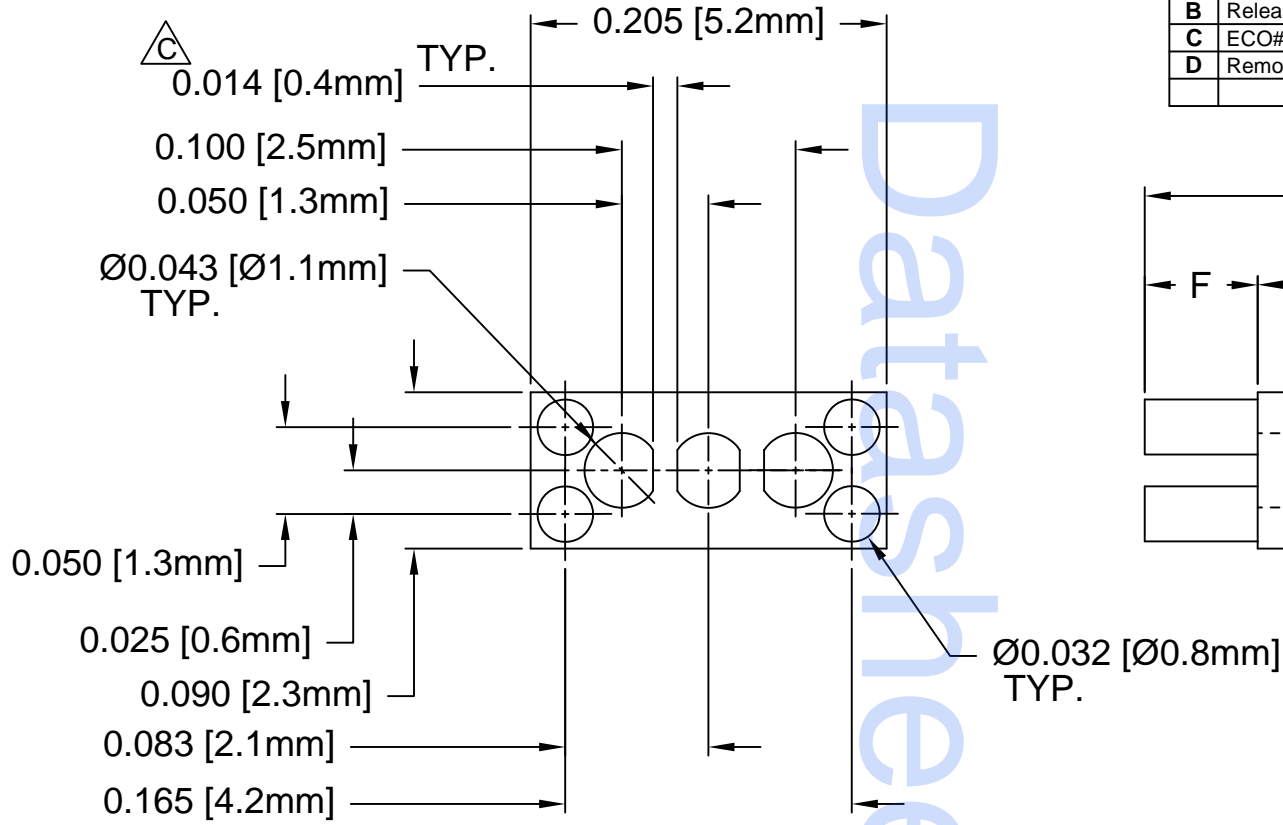


| REV. | DESCRIPTION | DATE | APPROVED |
|------|-------------------------------------|----------|----------|
| A | Engineering Release | 06/06/03 | M. C. |
| B | Release for Quotation of Re-Tooling | 10/14/03 | M. C. |
| C | ECO#421, Productivity Improvement | 03/25/04 | M. C. |
| D | Removed Material Code | 05/23/16 | J. C. |



| PART NO. | H | T | F |
|----------|---------------|---------------|---------------|
| RL3-360 | .360 (9.1mm) | 0.340 (8.6mm) | 0.010 (.25mm) |
| RL3-380 | .380 (9.7mm) | | 0.020 (.51mm) |
| RL3-400 | .400 (10.2mm) | | 0.030 (.76mm) |
| RL3-420 | .420 (10.7mm) | | 0.040 (1.0mm) |
| RL3-440 | .440 (11.2mm) | | 0.050 (1.3mm) |

| PART NO. | H | T | F |
|----------|---------------|---------------|---------------|
| RL3-460 | .460 (11.7mm) | 0.340 (8.6mm) | 0.060 (1.5mm) |
| RL3-480 | .480 (12.2mm) | | 0.070 (1.8mm) |
| RL3-500 | .500 (12.7mm) | | 0.080 (2.0mm) |
| RL3-520 | .520 (13.2mm) | | 0.090 (2.3mm) |
| RL3-540 | .540 (13.7mm) | | 0.100 (2.5mm) |

- 2. MATERIAL: NYLON 6/6, 94V-0, WHITE.
- 1. GENERAL SPECIFICATIONS: BIVAR MOLDED COMPONENT SPECIFICATION BV00-E101.

| | | |
|--|--------------------------|--|
| STANDARD TOLERANCE (UNLESS OTHERWISE SPECIFIED) | | 4 THOMAS, IRVINE, CA. 92618 TEL: (949) 951-8808 FAX: (949) 951-3974 |
| DECIMALS | ANGULAR | |
| .X ±.1 | X° ±1° | TITLE: MOLDED RECTANGULAR LED MOUNT |
| .XX ±.01 | | |
| .XXX ±.005 | | PART NO: RL3-XXX |
| DESIGNED: D. Green | DATE: 06/06/03 | REVISION: D |
| CHECKED: M. Chen | DATE: 10/14/03 | CAGE CODE : 32559 SHEET # 1 OF 1 |
| CAD GENERATED DOCUMENT, DO NOT MEASURE DRAWING. | | |