

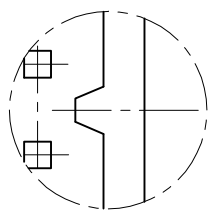
TECHNICAL SPECIFICATION

HOUSING MATERIAL : THERMOPLASTIC POLYESTER UL94V0; GREY
 HOUSING CAN WITHSTAND EXPOSURE TO LEAD FREE WAVE SOLDERING TEMPERATURE OF 260-265°C
 FOR STRAIGHT CONNECTORS AS IT IS USED IN CLASSICAL LEAD WAVE SOLDERING AT 235-250°C
 FOR ANGLE CONNECTORS, PROTECTIVE ADHESIVE OR PROTECTIVE METALLIC DEVICE IS TO BE USED
 AS IN CLASSICAL LEAD WAVE SOLDERING AT 235-250°C

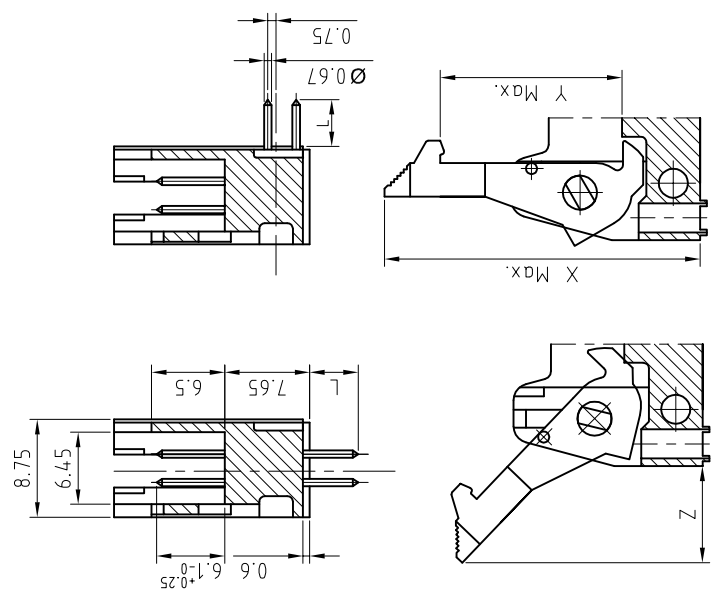
- CONTACT MATERIAL : COPPER ALLOY
 CONTACT PLATING : Au OR EQUIVALENT Au OVER PALLADIUM NICKEL OVER Ni
 ACTIVE ZONE : Sn (PURE MATTE) OVER Ni
 TERMINATION STYLE : 1.5A AT 20°C
 CURRENT RATING : ≥ 5000MΩ AT 100V
 INSULATION RESISTANCE : ≤ 20mΩ
 CONTACT RESISTANCE : 1000Vrms
 DIELECTRIC WITHSTANDING VOLTAGE : -55°C TO +125°C
 OPERATING TEMPERATURE : IEC 603-13 / DIN 41651
 REFERENCE SPECIFICATION :

NOTES

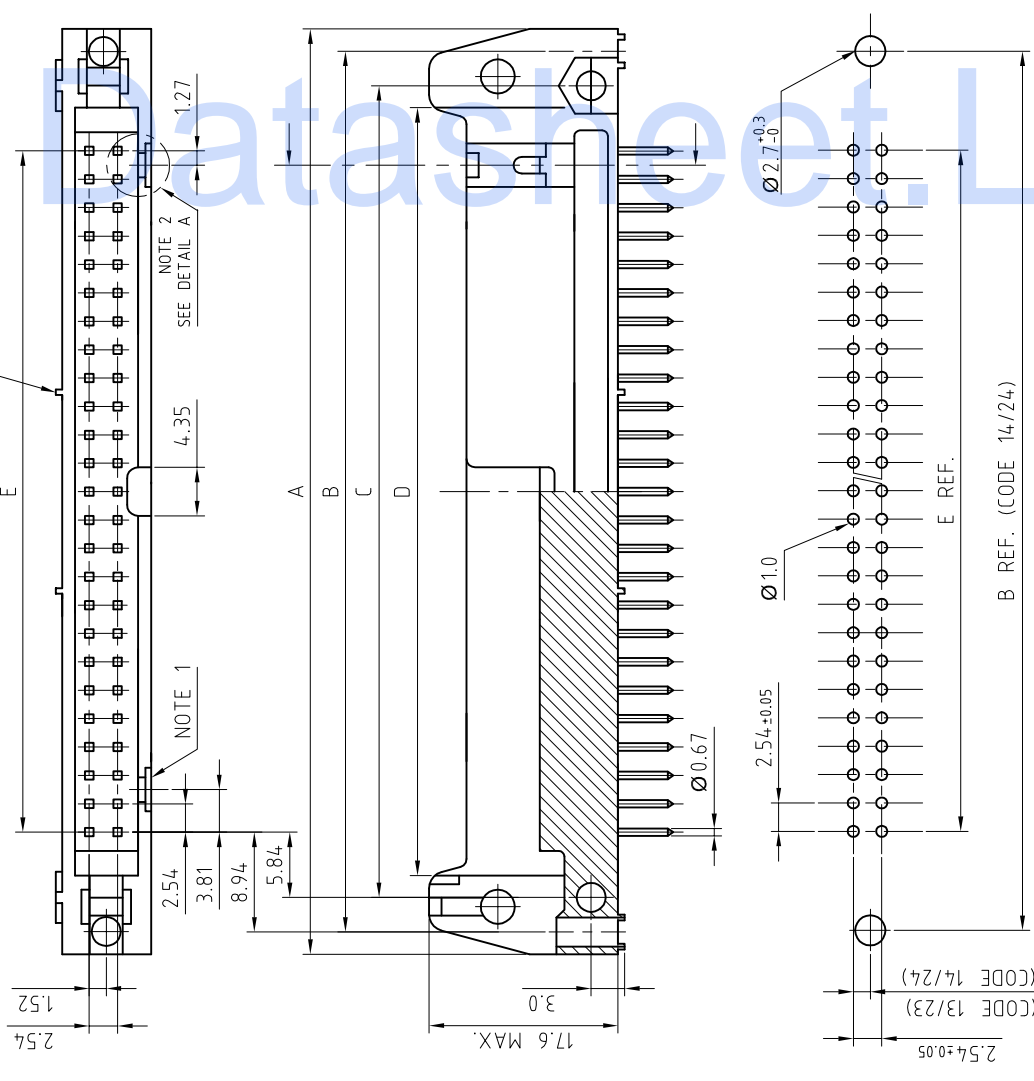
- LEFT POLARISATION IS NOT PROVIDED FOR 10 & 14 POSITIONS.
- RIGHT POLARISATION IS NOT PROVIDED FOR 10 POSITION, INSTEAD PROJECTION AS SHOWN IN DETAIL-A WILL BE PROVIDED.
- INTERMEDIATE LEGS ARE PROVIDED ONLY ABOVE 20 POSITION.
- THE "LF" PRODUCTS MEET EUROPEAN UNION DIRECTIVES AND OTHER COUNTRY REGULATIONS AS DESCRIBED IN GS-22-008.
- THE HOUSING WILL WITHSTAND EXPOSURE TO 260°C PEAK TEMPERATURE FOR 3.5 SECONDS IN A WAVE SOLDER APPLICATION WITH A 1.6 MM MINIMUM THICK CIRCUIT BOARD.
- LEAD FREE OR ROHS DIRECTIVE LABELING TO BE PROVIDED AS PER GS-14-920



DETAIL A



DIMENSION	LOCKING LEVER	
	SHORT	LONG
X Max.	25.30	28.0
Y Max.	11.30	15.0
Z	9.0	10.5



PCB DRILLING DETAILS

SERIES 8613 010 2 1 14 3 4 5 E1LF

No. OF CONTACTS 010,014,016,020,026,030,034,040,050,060,064

TYPE OF INSULATOR HEADER WITH CENTRAL POLARISATION FOR ALL POSITIONS 2
 HEADER 10 POSITION WITH CENTRAL POLARISATION & INSIDE PROJECTION 8

METHOD OF MOUNTING WITHOUT LEVERS 0
 WITH LONG BLACK LEVERS 1
 WITH SHORT BLACK LEVERS 2
 WITH LONG GREY LEVERS 3
 WITH SHORT GREY LEVERS 4

TERMINATION STYLE STRAIGHT SPILL LONG (L = 4.35±0.35mm) 14
 STRAIGHT SPILL SHORT (L = 2.9±0.2mm) 24
 ANGLED SPILL LONG (L = 4.25±0.35mm) 23
 ANGLED SPILL SHORT (L = 2.8±0.2mm) 23

HOUSING MATERIAL PBT GREY 3

PERFORMANCE CLASS DIN 41651 CLASS 3 4
 DIN 41651 CLASS 2 5
 DIN 41651 CLASS 1 6
 AS PER JSS 50810 6

LONGITUDINAL PITCH 2.54 mm 5
 5.08 mm 8

SPECIAL CODE E1LF

LEAD FREE VERSION E1LF

Copyright FCI

PDM: Rev:F

STATUS: Released

Printed: Dec 31, 2011

mat'l. code		surface	tolerance	projection	product family
ecn no	dr	ISO 1302	ISO 406 ISO 1101		8613
B	106-0066	MINI	2006-06-01	mm	HEADERS STRAIGHT & ANGLED SPILL, TMT VERSION
C	107-0132	KR	2007-10-05	mm	
D	108-0094	KR	2008-7-28	Scale 3:2	
E	108-0145	JS	2008-10-18	FCI	
F	111-0193	GT	2011-12-20	dwg no	
				C-8613-0041	
sheet index		revision		type	Product Customer Drawing
F		1			
sheet		sheet		sheet 1 of 1 size	
1		1		A3	