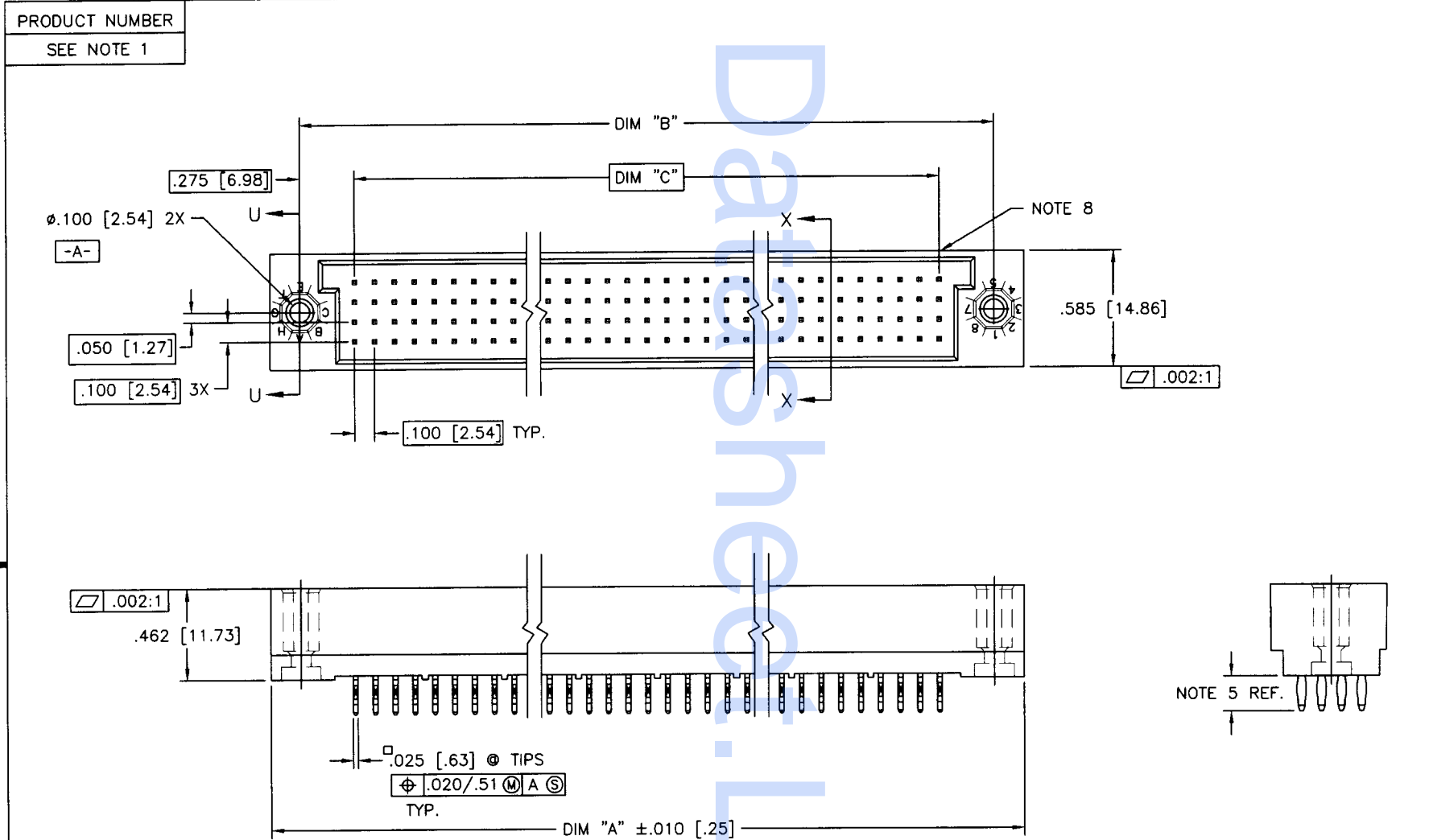


Tous droits strictement réservés. Reproduction ou communication à des tiers interdite sous quelque forme que ce soit sans autorisation écrite du propriétaire. Propriété de c FCI. Droits de reproduction FCI.

All rights strictly reserved. Reproduction or issue to third parties in any form whatever is not permitted without written authority from the proprietor. Property of FCI. Copyright FCI.



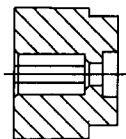
mat'l. code		NOTE 3		tolerances unless otherwise specified		CUSTOMER COPY	FCI Electronics	
ltr	ecn no	dr	date	linear	.XX±.01/.X±.3		projection	www.fciconnect.com
E	V23149	MRC	9/28/92		.XXX±.005/.XX±.13	INCH/MM	title	
F	V40285	PDP	1/20/94		.XXXX±.0020/.XXX±.051		4 ROW VERTICAL HEADER	
G	V40941	PDP	6/1/94	angles	0° ±2°	w/PRESS FIT PINS, 0 G.P.		
H	V41297	MDF	9/8/94	dr	D. SHEAFFER 3/14/91	product family HPC		
J	V81411	DLW	8/20/98	engr	S. CLARK 3/14/91	size		
K	V82253	HTB	12/29/98	chr	S. CLARK 3/14/91	dwg no		
L	V00271	JWS	1/31/00	appd	S. CLARK 3/14/91	A 50009		
sheet index	revision sheet	L	L			scale 1:1		code 213
		1	2					sheet 1 of 2

cage code 22526

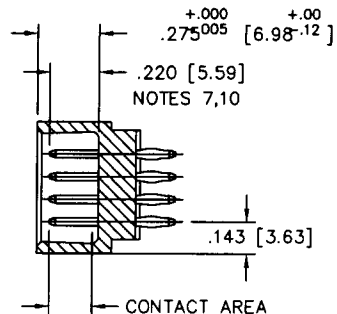
ACAD

PRODUCT NO.	DIM.	LENGTH FORMULAS
SEE NOTE 1	DIM "A"	.100/2.54 x NO. OF COLUMNS +.75/19.1
	DIM "B"	.100/2.54 x NO. OF COLUMNS +.450/11.43
	DIM "C"	.100/2.54 x NO. OF COLUMNS -.100/2.54

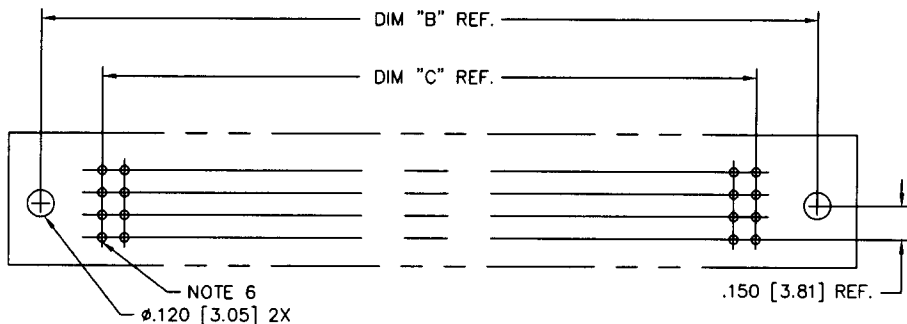
Tous droits strictement reserves. Reproduction ou communication a des tiers interdite sous quelque forme que ce soit sans autorisation ecrite du propriétaire. Propriete de c FCI. Droits de reproduction FCI.



SECTION U-U



SECTION X-X



RECOMMENDED PCB LAYOUT  
(ALL HOLES LOCATED ON .100/2.54 GRID UNLESS OTHERWISE SPECIFIED)

NOTES:

- PRODUCT NUMBERING CODE:  
50009 - X YYY Z  
TAIL LENGTH (NOTE 5)  
NO. OF POSITIONS (NOTE 2)  
PLATING (NOTE 4)  
BASE NUMBER
- PRODUCT NUMBERING CODE FOR SELECT LOAD PART NUMBERS:  
50009 - XXYYY  
SEQUENCE NUMBER  
ALWAYS 'XX'  
BASE NUMBER
- THIS PRODUCT IS CONFIGURED IN SIZES OF 6 thru 100 COLUMNS IN INCREMENTS OF ONE.  
i.e.: 6,7,8,9.....99,100.
- HOUSING MATERIAL: GLASS AND MINERAL FILLED HIGH TEMP. THERMOPLASTIC. FLAME RETARDANT PER UL94V-0. COLOR: BLACK.  
PIN MATERIAL: PHOS BRONZE
- PLATING CONTACT AREA OPTIONS:  
1 = 30u"/.76u GOLD  
3 = 50u"/1.27u GOLD  
5 = 30u"/.76u GXT
- TAIL LENGTH OPTIONS: (±.015/.38)  
A = .177/4.5      L = .188/4.78 .062 PCB  
C = .533/13.54    P = .470/11.94 .062 PCB/SHROUD  
D = .733/18.62    R = .250/6.35 .062 PCB  
G = .250/6.35
- Ø.0453/1.151 DRILLED HOLE PLATED WITH .0003/.007 MIN. SnPb OVER .001/.03 to .003/.08 Cu. PLATING TO ACHIEVE A Ø.040±.003/1.02±.08 HOLE.
- TO ASSURE PROPER INSTALLATION: TOOLING, AS SPECIFIED IN INSTRUCTION MANUAL 155915-001 MUST BE USED. PIN MATING LENGTH WILL BE ±.002/.05 AFTER INSTALLATION.
- COMPANY NAME, PART NUMBER AND LOT CODE TO APPEAR ON THIS SURFACE PER BUS-12-108.
- FOR DOCUMENTATION MENU, SEE BUS-01-057.
- REFERENCE 50807 FOR F.M.L.B. AVAILABLE OPTIONS AND WORKSHEET.

All rights strictly reserved. Reproduction or issue to third parties in any form whatever is not permitted without written authority from the proprietor. Property of FCI. Copyright FCI.

mat'l. code		tolerances unless otherwise specified		CUSTOMER COPY		FCI Electronics www.fciconnect.com	
ltr	ecn no	dr	date	linear	projection	title	
				.XX±.01/.X±.3	⊕	4 ROW VERTICAL HEADER w/PRESS FIT PINS, 0 G.P.	
				.XXX±.005/.XX±.13	INCH/MM	product family	code
				.XXX±.0020/.XX±.051	1:1	HPC	213
				angles		size	sheet
				dr	D. SHEAFFER	50009	2 of
				engr	S. CLARK		
				chr	S. CLARK		
				appd	S. CLARK		
sheet index	revision sheet						