

**FEATURES**

- Gold plated signal and ground posts
- .025 high standoff pads for P.C.B. cleaning
- Standard "D" hole mounting configuration
- Thd. body to accept optional panel mount hardware
- Isolated ground insulated from panel
- Inner dielectric — Polypropylene
- Signal & ground posts are environmentally protected by plastic insulator
- Posts on vertical models will accept AMPMODU<sup>★</sup> type receptacles for jumper connections
- Available with and without mounting lugs for attachment to P.C.B.
- Holes to accept 2-56 self-tapping mounting screws on models without mounting lugs.
- Narrow profile for high density packaging — .600  $\epsilon$  min. spacing (Models without lugs) .700  $\epsilon$  min. spacing (with jam nut).
- Accommodates up to 3/16" panel thickness
- Can be mounted inboard or at edge of P.C.B.

**MECHANICAL**

MATING/UNMATING ..... 500 CYCLES

**MATERIALS**

BODY ..... BRIGHT NICKEL PLATING OVER ZINC  
CONTACT ..... GOLD OR SILVER PLATING OVER PHOS. BRONZE  
INSULATORS ..... INNER (POLYPROPYLENE) OUTER (THERMOPLASTIC POLYESTER)

**ELECTRICAL**

NOMINAL IMPEDANCE ..... 50 OHMS  
FREQUENCY RANGE ..... 0-4 GHZ  
OPERATING VOLTAGE ..... 500 VOLTS RMS.  
CONTACT RESISTANCE ..... 3.0 MILLIOHMS MAX.  
INSULATION RESISTANCE ..... 5000 MEGOHMS MIN.  
DIELECTRIC WITHSTANDING VOLTAGE 1500 VOLTS RMS

**ENVIRONMENTAL**

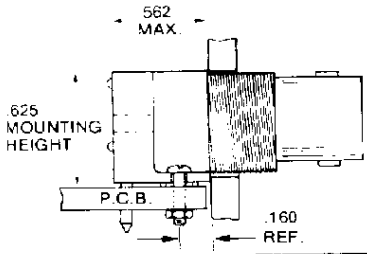
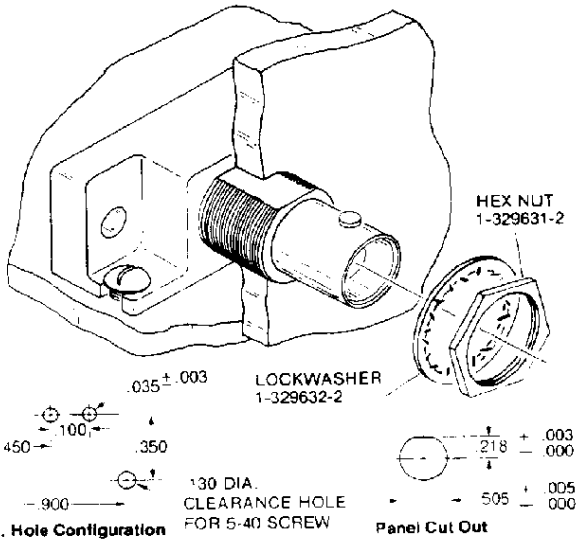
TEMPERATURE RANGE ..... -55°C to +85°C  
THERMAL SHOCK ..... METHOD 107, MIL-STD-202, COND. A  
MOISTURE RESISTANCE ..... METHOD 108, MIL-STD-202  
SALT SPRAY ..... METHOD 101, MIL-STD-202, COND. B  
PHYSICAL SHOCK ..... METHOD 213, MIL-STD-202, COND. I

SEE PAGE 2 FOR INSTALLATION DETAILS

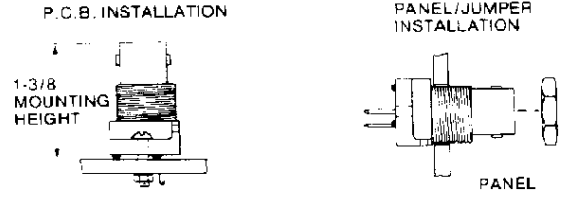
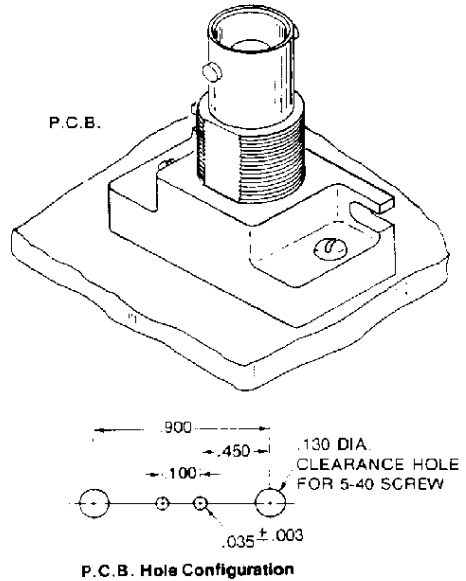
★ Trademark of AMP Incorporated

Copyright 1978 by AMP Incorporated, Harrisburg, Pa. All International Rights Reserved. AMP Incorporated products covered by U.S. and Foreign Patents and/or Patents Pending.

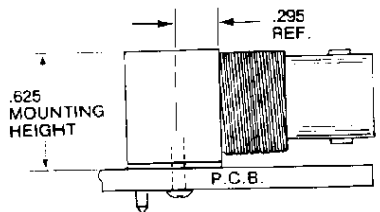
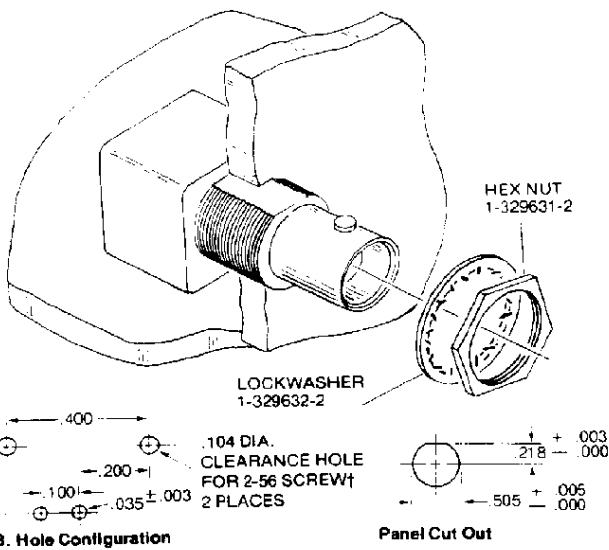
**RIGHT ANGLE PCB/PANEL MOUNT BNC JACK**  
226978-1



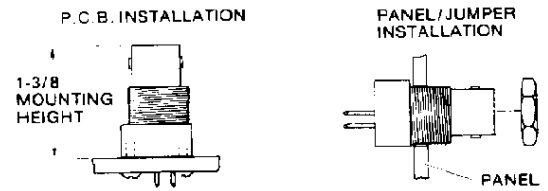
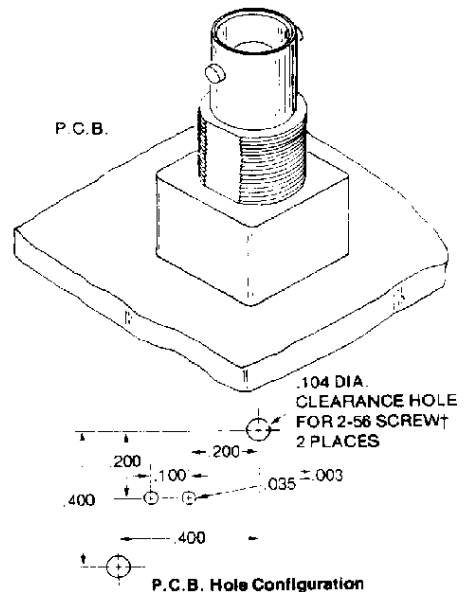
**VERTICAL PCB BNC JACK**  
226987-1



**RIGHT ANGLE PCB/PANEL MOUNT BNC JACK**  
226990-1



**VERTICAL PCB BNC JACK**  
226993-1



† AMP PART NO. 22987-3 FOR 1/16" P.C. BOARD, 22987-4 FOR 1/8" P.C. BOARD.