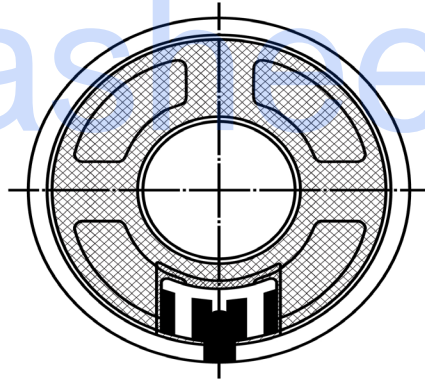
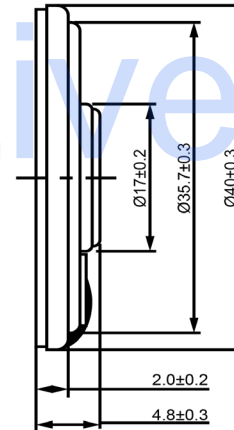




TOP VIEW



SIDE VIEW



Datasheet.Live

Specifications			Notes	Revision History					
Description	Value	Unit		Version	Description	Date	Approved		
Shape	Round		1) All dimensions are in mm unless otherwise noted 2) All parts meet RoHS	1	Released from Engineering	J.S.	5-Feb		
Resonant Frequency	400	(Hz)							
Frequency Range	400 ~ 4,500	(Hz)							
SPL @ 10cm	95	(dBA)							
Impedance	64	(Ohm)							
Cone Material	Mylar								
Nominal Power	0.25	(W)							
Max Power	0.4	(W)							
Mount Type	Flush Mount								
Operating Temperature	-40 ~ +66	°C							
Storage Temperature	-40 ~ +66	°C							
Weight	9	(g)							
 DB UNLIMITED			 DB UNLIMITED			Dynamic Speaker		SM400464-1	
						Drawn by: G.W. Date: 1/27/2014 Checked by: C.E. Date: 2/4/2014 Approved by: J.S. Date: 2/5/2014			

Mouser Electronics

Authorized Distributor

Click to View Pricing, Inventory, Delivery & Lifecycle Information:

[DB Unlimited:](#)

[SM400464-1](#)