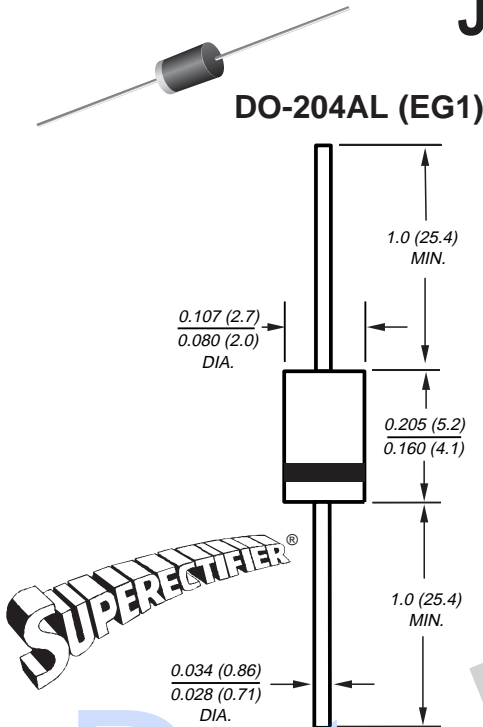


# JAN1N3611EG1 thru JAN1N3614EG1 and JAN1N3957EG1 Glass Passivated Rectifiers

Reverse Voltage 200 to 1000V  
Forward Current 1.0A



Dimensions in inches and (millimeters)

\* Glass-plastic encapsulation technique is covered by Patent No. 3,996,602 and brazed-lead assembly by Patent No. 3,930,306

## Features

- Qualified to MIL-PRF-19500/228
- Class 1 high temperature metallurgically bonded construction brazed > 600°C
- 1.0 ampere operation at T<sub>A</sub>=55°C with no thermal runaway
- Typical I<sub>R</sub> less than 0.1μA
- Cavity-free, glass passivated junction. In epoxy over hermetic glass.
- High temperature soldering guaranteed: 350°C/10 seconds, 0.375" (9.5mm) lead length, 5 lbs. (2.3kg) tension

## Mechanical Data

**Case:** DO-204AL, molded epoxy over glass body (EG1)

**Terminals:** Solder plated axial leads, solderable per MIL-STD-750, Method 2026

**Polarity:** Color band denotes cathode end

**Mounting Position:** Any **Weight:** 0.015 ounce, 0.4 gram

**Flammability:** Epoxy is rated UL 94V-0.

## Maximum Ratings & Thermal Characteristics

Ratings at 25°C ambient temperature unless otherwise specified.

Parameter	Symbol	JAN 1N3611	JAN 1N3612	JAN 1N3613	JAN 1N3614	JAN 1N3957	Unit
Maximum repetitive peak reverse voltage	V <sub>RRM</sub>	200	400	600	800	1000	V
Maximum RMS voltage	V <sub>RMS</sub>	140	280	420	560	700	V
Maximum DC blocking voltage	V <sub>DC</sub>	200	400	600	800	1000	V
Maximum average forward rectified current 0.375" (9.5mm) lead length at T <sub>A</sub> = 55°C	I <sub>F(AV)</sub>	1.0					A
Peak forward surge current 10 surges of 8.3ms each at 1 min. intervals super-imposed on I <sub>O</sub> = 1A DC; V <sub>R</sub> = rated V <sub>RRM</sub> T <sub>A</sub> = 25°C (per MIL-STD-750 m 4066)	I <sub>FSM</sub>	30					A
Typical thermal resistance (Note 1)	R <sub>θJL</sub> R <sub>θJA</sub>	38 45					°C/W
Operating junction and storage temperature range	T <sub>J</sub> , T <sub>STG</sub>	-65 to +175					°C
Barometric Pressure	Hg	8		54		87	mm

## Electrical Characteristics

Ratings at 25°C ambient temperature unless otherwise specified.

Minimum reverse breakdown voltage at 50μA	V <sub>BR</sub>	220	440	660	880	1100	V
Maximum instantaneous forward voltage T <sub>p</sub> = 300μs at 1.0A, T <sub>A</sub> = 25°C at 3.0A, T <sub>A</sub> = 25°C at 1.0A, T <sub>A</sub> = -65°C	V <sub>F</sub>	1.1 1.3 1.5					V
Maximum DC reverse current at rated DC blocking voltage T <sub>A</sub> = 25°C T <sub>A</sub> = 150°C	I <sub>R</sub>	1 300					μA
Typical reverse recovery time at I <sub>F</sub> = 0.5A, I <sub>R</sub> = 1.0A, I <sub>rr</sub> = 0.25A	t <sub>rr</sub>	2.0					μs
Typical junction capacitance at 4V, 1MHz	C <sub>J</sub>	8.0					pF

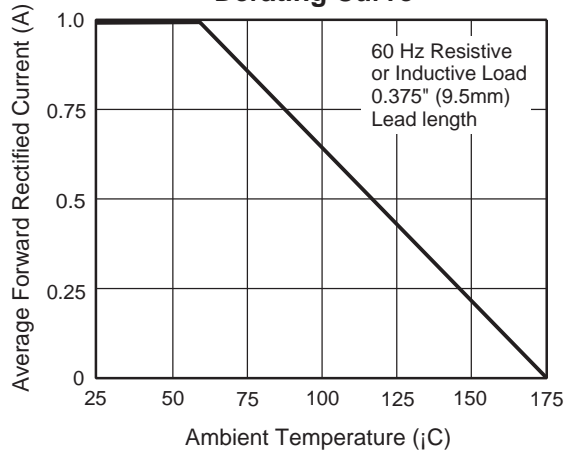
Note: (1) Thermal resistance from junction to ambient at 0.375" (9.5mm) lead length, P.C.B. mounted

# JAN1N3611EG1 thru JAN1N3614EG1 and JAN1N3957EG1

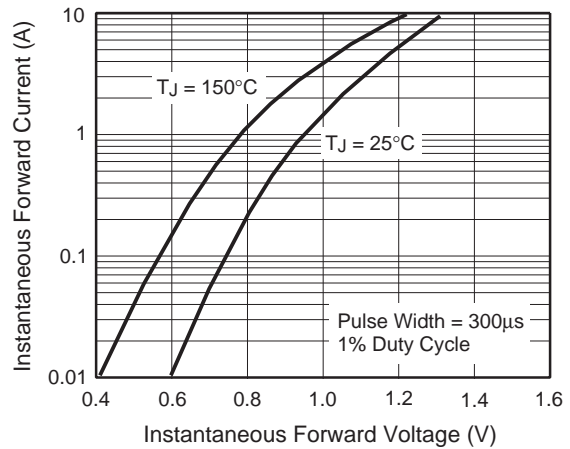
## Ratings and Characteristic Curves ( $T_A = 25^\circ\text{C}$ unless otherwise noted)

## Glass Passivated Rectifiers

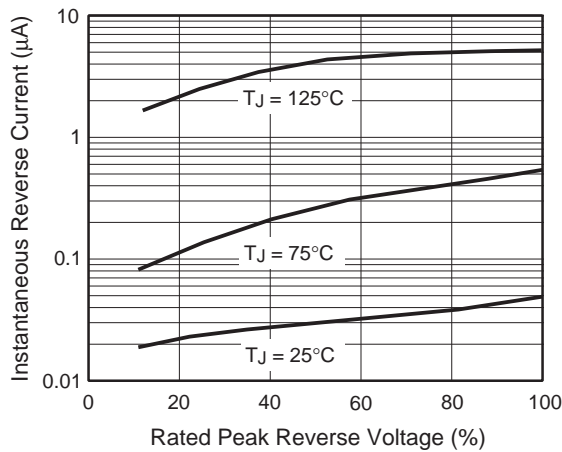
**Fig. 1 – Forward Current Derating Curve**



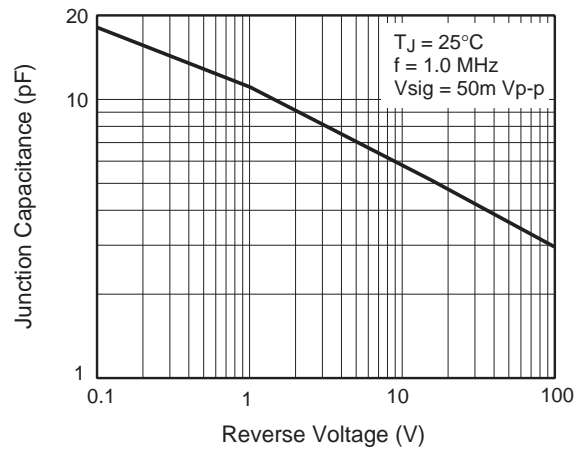
**Fig. 2 – Typical Instantaneous Forward Characteristics**



**Fig. 3 – Typical Reverse Characteristics**



**Fig. 4 – Typical Junction Capacitance**



**Fig. 5 – Typical Transient Thermal Impedance**

