

Service Manual

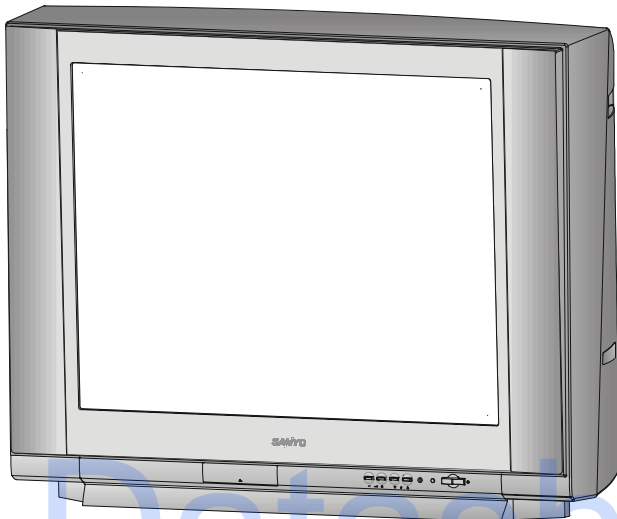
Model: **CE29FFV1-F**

CRT 29" Philips A68ERF001X013

CHASSIS 2114

EB5-C 21"/25"/28"/29"

Colour Television True Flat



Indice

1.	Safety instructions	1
2.	WARNING	1
3.	Precaution against X-Rays	1
4.	Recommendations to protect our environment	1
5.	TECHNICAL CHARACTERISTICS.....	2
6.	Safety.....	2
7.	EMC (Electromagnetic Compatibility)	2
8.	Factory special mode.....	2
9.	Automatic channel search reactivating.....	3
10.	Service Menu	3
11.	CONNECTED DOCUMENTS.....	3
12.	MOUNTED CIRCUITS CODES.....	3
13.	CABINET PARTS LIST.....	4
13.1.	CABINET PARTS LIST OF CHASSIS CE29FFV1-F.....	4
13.2.	CABINET PARTS LIST OF CE29FFV1-F	5
14.	PARTS LIST.....	6

Give complete "SERVICE PART No" for parts order or servicing, it is shown on the rating sheet on the cabinet back of the TV set.

Note

This TV receiver will not work properly in foreign countries where the television transmission system and power source differ from the design specifications. Refer to the specifications for the design specifications.

1. Safety instructions

Read this page before doing any operation of adjustment, maintenance or repair the TV set described.

Only skilled personnel of Sanyo Technical Service should do the adjustment, maintenance or repair of TV set.

2. WARNING

For the correct and safe use of the TV set, it is essential that the service personnel follow the process of safety generally accepted and the safety precautions specified in this manual.

An isolation transformer should be connected in the power line between the receiver and the AC line when a service is performed on the primary side of the converter transformer of the set.

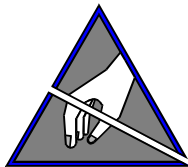
The deflection heat sink is connected to -12V.

3. Precaution against X-Rays

The primary source of X-RADIATION in the television receiver is the picture tube. The picture tube is specially constructed to limit X-RADIATION emissions. For continued X-RADIATION protection, the replacement tube must be the same type as the original including suffix letter. Excessive high voltage may produce potentially hazardous X-RADIATION. To avoid such hazards, the high voltage must be maintained within specified limit. If high voltage exceeds specified limits, take necessary corrective action. Follow the instructions carefully for +B1 volt power supply adjustment, and high voltage adjustment to maintain the high voltage within the specified limits.

COMPLIANCE TO STANDARDS

All of those marked with * or \triangle must be
Replaced with original parts



WARNING! This TV set contains components which are particularly sensitive to static electricity (ESD). It is recommended that all due precaution be taken handling integrated circuits and semiconductors.


4. Recommendations to protect our environment

Stand-by mode: In order to save energy and to maintain an optimum picture quality, it is advisable to switch off the TV using the ON/OFF button located at the front of TV set.

Used batteries: The batteries in the remote control of these models do not contain mercury. However, SANYO recommends that you do not dispose of used batteries in domestic refuse. Please, contact your dealer or your local authorities for information regarding the disposal of used batteries or your nearest collection point.

Recommendation about the end-of-life: These SANYO TV sets have been designed and manufactured using high quality materials which can be recycled and reused. In the future, when the life cycle of these sets come to an end, specialised companies can disassemble it and reuse certain materials. This reduces the impact of waste in our environment. Please, contact with your local authorities for information regarding the disposal of your set when the time arrives. Help us to conserve the environment we live in!

5. TECHNICAL CHARACTERISTICS.

Cathode-ray tubes	In-Line, gun Type. Black Matrix. 29" (68 cm) True Flat, Invar Plus mask.
Tuning-system	Voltage synthesis, 100 programs in non-volatile memory, AFT, automatic, semiautomatic and manual channel-search.
Reception channels	Band I, channels 2-4 (VHF)=E2-E4 Cable channels S1-S10 Hyperband channels S21-S41 Band III, channels 5-12 (VHF)=E5-E12 Band IV-V, channels 21-69 (UHF)=E21-E69
Reception system	B/G, D/K, I, L, L' system
Colour system	PAL, SECAM, (NTSC 4.43, NTSC 3,58) ONLY AV
Program selection	Sequential selection from the controls on the set. Direct selection to any program from the remote-control device.
Audio	Power-rating 2x8,9 W rms. (10% distortion)
Speakers	2 of 8 Ω.
Aerial	External aerial sockets 75 Ωs. IEC
Jack for headphones	Stereo jack 3,5mm. (with independent control)
Clock and alarm Function	
Timer Function	Switch on and off of CTV programmable in real time.
AV connectors	1 Scart connector 21 pin CENELEC standard AV, RGB and S_Video. 1 Scart connector 21 pin CENELEC standard AV, RGB 1 RCA Video input (frontal) 2 RCA Audio input (frontal)
Power supply	220 – 240 VAC 50Hz
Consumption	83 W (IEC 107-1) 2,1 W (Stand-by )
CTI	Improves color transitions
Comb Filter	Improves video bandwidth and reduces crosscolor effect.
Stereo/Dual Systems	NICAM and Stereo/Dual (A2)
Sound Effects	Pseudo Stereo. Bass boost. Actv. 3D surround, BBE, spatial stereo
Auto volume	
Clock function	
Alarm function	Programmable over 24 hours
Timer function	Switch on and off are programmable over 24 hours.
TXT	1,5 Flot and list. 10 Teletext pages memory
Hotel Mode	It can be programmed in Hotel Mode and Rental Hotel Mode
Remote ON/OFF	Tis TV can be switched ON/OFF Through the blue scart connector.
Options by means of Technical Service:	
SECAM, NTSC-M	

6. Safety

It fulfils the safety requirements established in the regulation:
EN 60065:98

7. EMC (Electromagnetic Compatibility)

It fulfils the EMC requirements established in the regulation:
EN 55013:1990/A12:1993/A13:1996/A14:1999
EN 55020:1994/A11:1996/A13:1999/A14:1999
EN 61000-3-2:1995+A1:19998+A2:98/A14:2000
EN 61000-3-3:1995

8. Factory special mode

The factory mode is a special TV working mode intended to help in the manufacturing process and it is identified on the screen with the message "FAC". This mode is never suited for customer use.

The main differences respect to normal mode are:

- 1- The standby mode is always disabled.
- 2- The Blue-back (no sync. signal present) is disabled.
- 3- The customer adjustments (volume, contrast ...) work faster.
- 4- The timer off works but it does not change to Stand-by mode.
- 5- Change of programs and TV/AV swithing faster. Cancelled mute.

In case of finding the TV set in Factory mode, it must be taken out of this state. To do so, enter the clock setting menu on the customer OSD and then exit.

9. Automatic channel search reactivating

In order to reset the initial automatic channel search function, start a channel search in AUTO mode from the user tuning menu and switch-off the TV set before any station is found. The next time the TV set is switched on, it will start an automatic channel-search.

10. Service Menu

The service menu allows to acces to de relationel parameters with the TV setting.

The service menu is accessed by holding down the front key (vol-) and simultaneously pressing the teletext green key from the remote control. An very detaill explication is in the Service Manual of chassis 2114 (EB5-C).

11. CONNECTED DOCUMENTS.

This Service Manual provides the particular information of the model CE29FFV1-F and it is complemented with:

1. Service Manual of the CHASIS 2114 (EB5-C).
2. Service Electrical scheme of the model CE29FFV1.
3. Instruction manual.

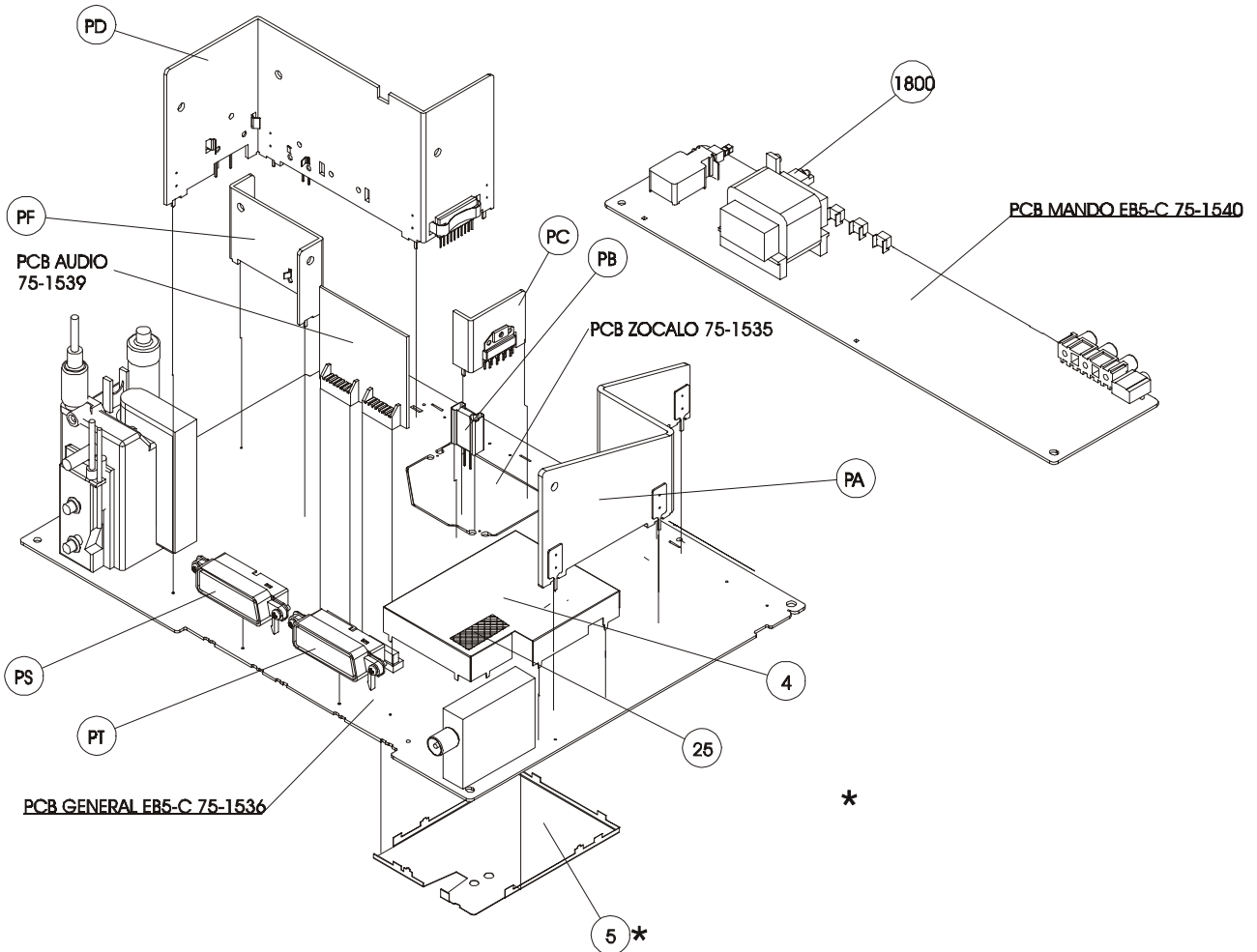
12. MOUNTED CIRCUITS CODES.

	CE29FFV1-F	
	A68ERF001X013	
Assy	6110385702	Main + Socket TRC +Audio + Mandos
Subassy	7040004207	Socket TRC PCB
Subassy	7110024408	Main PCB
Subassy	7140002135	Audio PCB
Subassy	7200002108	PCB Mandos

13. CABINET PARTS LIST

13.1. CABINET PARTS LIST OF CHASSIS CE29FFV1-F

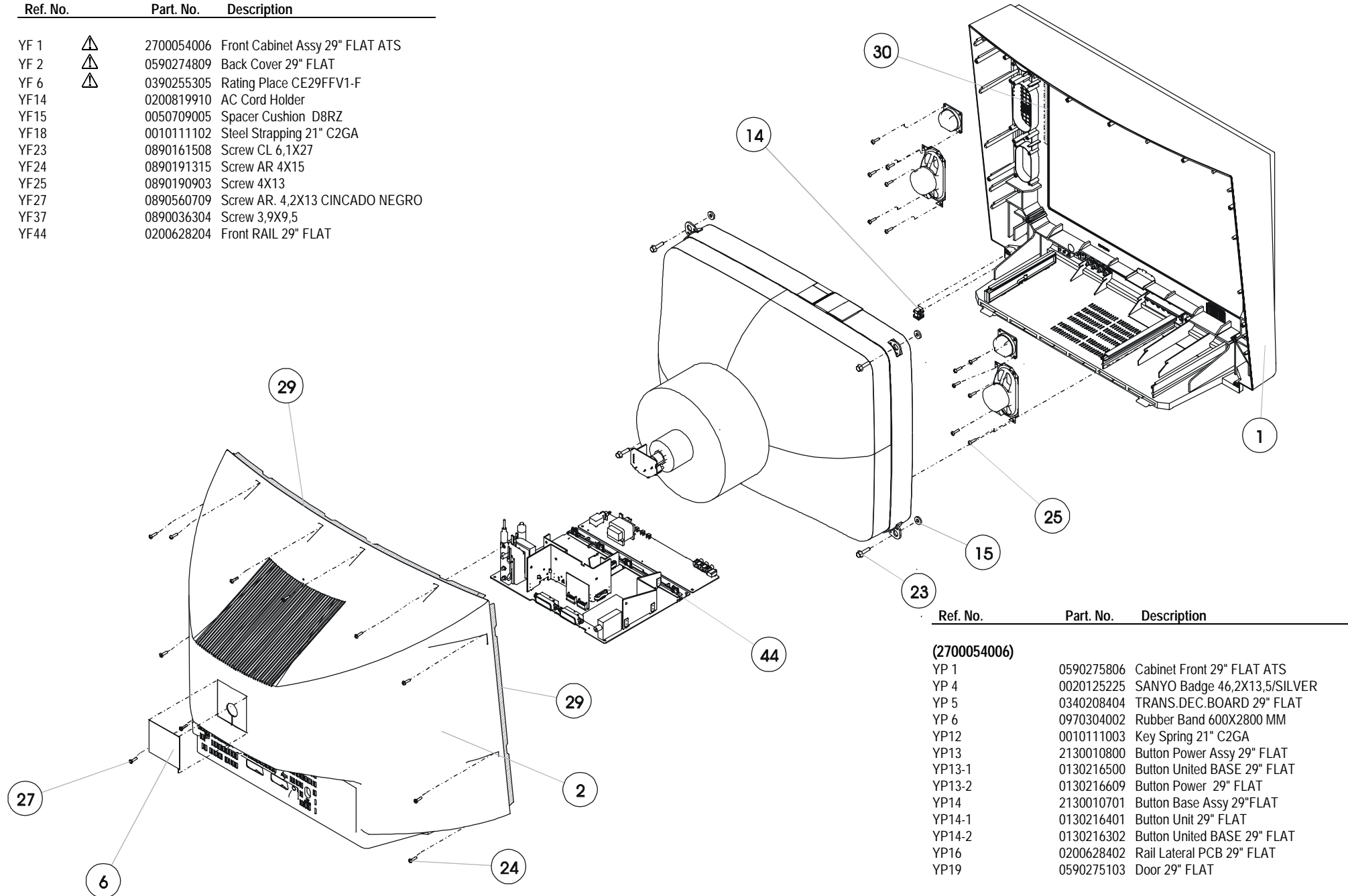
Ref. No.	Part No.	Description	Localiz.	Código	Descripción
YG25	0390320307	Bar Code Label -Chassis			
YG4 *	0080113103	COMP. Side IF Shield EB5-C			
YG5	0080113202	Copper Side IF Shield EB5-C			
YG1800	0200826402	LED Holder			
Assy PA (Audio)					
IC300	0360517304	TDA 8946 J N1			
YR300	0200226108	Heatsink AUDIO EB5-C 25-28-29			
YR301	0970200804	Silicon Grease YG6260			
YR302	0010106300	Spring CLIP 56379			
Assy PD (Deflexión)					
IC701 *	0360517007	LA7846N			
Q650	0360306708	S 2055 N			
Q750	0360309009	BD242BFP			
YR650	0200225902	Heatsink Deflection EB5-C 29			
YR651	0970200804	Silicon Grease YG6260			
YR652	0010106300	Spring CLIP 56379			
YR653	0010106300	Spring CLIP 56379			
YR654	0010110401	Spring CLIP 56363			
Assy PB					
D851	0360378905	Schottky FMB-G19L 90V 4ATO220			
YR851	0200224905	Heatsink TO-220-F			
Assy PF(Fuente alimentación)					
Q800 *	0360311302	MOS 2SK2545 600V/6A			
YR800	0200225811	Heatsink Power Supply EB5-C			
YR801	0010110401	Spring CLIP 56363			
Assy PT					
S901	0330162702	Scart Connector 21 PIN BLUE			
YR901	0200420602	Mounting-BRKT F2WV			
YR902	0890115603	Selftapping Screws DIN 7981F 2,9X8			
Assy PS					
S900	0330162603	Scart Connector 21 PIN BLACK			
YR900	0200420602	Mounting-BRKT F2WV			
YR903	0890115603	Selftapping Screws DIN 7981F 2,9X8			
Assy PC (Zocalo TRC)					
IC500	0360514210	TDA 6107 Q/N2			
YR500	0200224806	Heatsink RGB EB5-A			
YR501	0970200804	Silicon Grease YG6260			
YR502	0050709104	Washer			
YR503	0890121106	Screw M3X6 FE/ZN DIN 7985			



NOTA:
LAS PIEZAS INDICADAS CON *, SOLO SE MONTARAN
EN LOS APARATOS DE EXPORTACIÓN.

13.2. CABINET PARTS LIST OF CE29FFV1-F

Ref. No.	Part. No.	Description
YF 1	2700054006	Front Cabinet Assy 29" FLAT ATS
YF 2	0590274809	Back Cover 29" FLAT
YF 6	0390255305	Rating Place CE29FFV1-F
YF14	0200819910	AC Cord Holder
YF15	0050709005	Spacer Cushion D8RZ
YF18	0010111102	Steel Strapping 21" C2GA
YF23	0890161508	Screw CL 6,1X27
YF24	0890191315	Screw AR 4X15
YF25	0890190903	Screw 4X13
YF27	0890560709	Screw AR. 4,2X13 CINCADO NEGRO
YF37	0890036304	Screw 3,9X9,5
YF44	0200628204	Front RAIL 29" FLAT



Ref. No.	Part. No.	Description
(2700054006)		
YP 1	0590275806	Cabinet Front 29" FLAT ATS
YP 4	0020125225	SANYO Badge 46,2X13,5/SILVER
YP 5	0340208404	TRANS.DEC.BOARD 29" FLAT
YP 6	0970304002	Rubber Band 600X2800 MM
YP12	0010111003	Key Spring 21" C2GA
YP13	2130010800	Button Power Assy 29" FLAT
YP13-1	0130216500	Button United BASE 29" FLAT
YP13-2	0130216609	Button Power 29" FLAT
YP14	2130010701	Button Base Assy 29" FLAT
YP14-1	0130216401	Button Unit 29" FLAT
YP14-2	0130216302	Button United BASE 29" FLAT
YP16	0200628402	Rail Lateral PCB 29" FLAT
YP19	0590275103	Door 29" FLAT

Ref. No.	Part No.	Description
----------	----------	-------------

14. PARTS LIST

PCB SOCKET TRC

CON_FD	0160220729	Polarized Band 4P 520+6+6
CON_FH	0160230819	Polarized Band Gray 5P. 450+6+6

CAPACITORS

C500	0270341324	Polyester 100 nF. 10% 250V.
C501	0250322815	Electrolytic 10 µF. 250V.
C503	0240590901	Ceramic 2200 pF +80-20% 2KV.

DIODES

D500	0360007215	BAV21 DIODE
D501	0360007215	BAV21 DIODE
D502	0360007215	BAV21 DIODE

E500	0640705117	Eyelet 2,5-3
------	------------	--------------

FD1	0330144205	Ribbon Wire Holder 4 P.
FH1	0330144304	Ribbon Wire Holder 5 P.
FK	0640300604	Earth Wire 340 mm.

INTEGRATED CIRCUITS

IC500	0360514210	TDA 6107 Q/N2
-------	------------	---------------

J117	0470040007	Jumper Lead 0,6 mm.
------	------------	---------------------

L502	0090304924	Choke R.F. 470 µH. 10%
L506	0090208307	Coil 75 µH. 10% 1,5 A. R-7,5

PCB04	⚠	0750153520	Socket PCB 5-C
-------	---	------------	----------------

RESISTORS

R500	0790741409	Solid 1,5 KΩ 10% 1/2W.	
R501	0790741409	Solid 1,5 KΩ 10% 1/2W.	
R502	0790741409	Solid 1,5 KΩ 10% 1/2W.	
R503	0790741409	Solid 1,5 KΩ 10% 1/2W.	
R504	0790741409	Solid 1,5 KΩ 10% 1/2W.	
R505	0790239008	R.M.G. SMD 1 KΩ T<=5% 0805	
R506	⚠	0790535702	Fuse 10 Ω 5% 0,33V.
R507	0790227003	R.M.G. SMD 100 Ω T<=5% 0805	
R508	0790227003	R.M.G. SMD 100 Ω T<=5% 0805	
R509	0790227003	R.M.G. SMD 100 Ω T<=5% 0805	
R510	0790242002	R.M.G. SMD 1,8 KΩ 5% 1/10W.	
R511	0790242002	R.M.G. SMD 1,8 KΩ 5% 1/10W.	
R512	0790242002	R.M.G. SMD 1,8 KΩ 5% 1/10W.	

ZOCALO	⚠	0330162108	Socket TRC Diameter 22,5 mm.
--------	---	------------	------------------------------

MAIN PCB

CN_FR	0330192402	3P. Connector
CN_G2	0640706503	Blue G2 Wire with two terminals
CN_KV	0330272204	2P. Connector Shield cable 400MM
CN_NA	0330193608	4P. Connector
CN_NB	0330198706	10 P. Connector
CN_NC	0330196601	7P. Connector

CAPACITORS



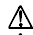
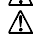

C100	0230600702	Ceramic SMD 100 nF. 10% 25V.
C102	0230600702	Ceramic SMD 100 nF. 10% 25V.
C103	0230360604	Ceramic SMD 1000 pF. 10% 50V.
C104	0250321072	Electrolytic 10 µF. 63V.
C105	0230480808	Ceramic SMD 10 nF. 10% 50V.
C1051	0250321072	Electrolytic 10 µF. 63V.
C1052	0230600801	Ceramic SMD 100 nF. +80-20% 25V.
C1053	0230480808	Ceramic SMD 10 nF. 10% 50V.
C1054	0230480808	Ceramic SMD 10 nF. 10% 50V.
C1055	0230600702	Ceramic SMD 100 nF. 10% 25V.
C1056	0230600801	Ceramic SMD 100 nF. +80-20% 25V.
C1057	0230600801	Ceramic SMD 100 nF. +80-20% 25V.
C106	0270101322	Polyester 1000 pF. 5% 400V.
C107	0230480808	Ceramic SMD 10 nF. 10% 50V.
C108	0230180309	Ceramic SMD 33 pF. 1% 50V.
C109	0230180309	Ceramic SMD 33 pF. 1% 50V.

Ref. No.	Part No.	Description	
C112	0230600801	Ceramic SMD 100 nF. +80-20% 25V.	
C113	0230360604	Ceramic SMD 1000 pF. 10% 50V.	
C114	0230360604	Ceramic SMD 1000 pF. 10% 50V.	
C115	*	0230360604	Ceramic SMD 1000 pF. 10% 50V.
C116	*	0230360604	Ceramic SMD 1000 pF. 10% 50V.
C118	0230360604	Ceramic SMD 1000 pF. 10% 50V.	
C120	0230480808	Ceramic SMD 10 nF. 10% 50V.	
C1251	0230720203	Ceramic SMD 1 µF. 16V. +80-20% 0805	
C1252	0230600702	Ceramic SMD 100 nF. 10% 25V.	
C190	0230600702	Ceramic SMD 100 nF. 10% 25V.	
C191	0230640401	Ceramic SMD 220 nF. 10% 16V.	
C200	0250321072	Electrolytic 10 µF. 63V.	
C201	0230360604	Ceramic SMD 1000 pF. 10% 50V.	
C202	0230360604	Ceramic SMD 1000 pF. 10% 50V.	
C203	0230600702	Ceramic SMD 100 nF. 10% 25V.	
C204	0230600702	Ceramic SMD 100 nF. 10% 25V.	
C207	0250321072	Electrolytic 10 µF. 63V.	
C209	0230480808	Ceramic SMD 10 nF. 10% 50V.	
C210	0230600801	Ceramic SMD 100 nF. +80-20% 25V.	
C250	0230600801	Ceramic SMD 100 nF. +80-20% 25V.	
C251	0250461217	Electrolytic 100 µF. 25V.	
C252	0270341480	Polyester 100 nF. 10% 63V.	
C256	0230480808	Ceramic SMD 10 nF. 10% 50V.	
C257	0270341480	Polyester 100 nF. 10% 63V.	
C258	0230480808	Ceramic SMD 10 nF. 10% 50V.	
C259	0230600801	Ceramic SMD 100 nF. +80-20% 25V.	
C260	0250410859	Electrolytic 47 µF. 25V.	
C261	0230600801	Ceramic SMD 100 nF. +80-20% 25V.	
C300	0250572310	Electrolytic 1000 µF. 25V.	
C301	0230600702	Ceramic SMD 100 nF. 10% 25V.	
C302	0230360604	Ceramic SMD 1000 pF. 10% 50V.	
C303	0230360604	Ceramic SMD 1000 pF. 10% 50V.	
C304	0230640401	Ceramic SMD 220 nF. 10% 16V.	
C305	0230640401	Ceramic SMD 220 nF. 10% 16V.	
C306	0230640401	Ceramic SMD 220 nF. 10% 16V.	
C307	0230640401	Ceramic SMD 220 nF. 10% 16V.	
C308	0250321072	Electrolytic 10 µF. 63V.	
C309	0250321072	Electrolytic 10 µF. 63V.	
C310	0240551309	Ceramic 1000 pF. 10% 50V.	
C311	0270341324	Polyester 100 nF. 10% 250V.	
C312	0270341324	Polyester 100 nF. 10% 250V.	
C352	0250410859	Electrolytic 47 µF. 25V.	
C353	0250410859	Electrolytic 47 µF. 25V.	
C354	0230600801	Ceramic SMD 100 nF. +80-20% 25V.	
C355	0230600801	Ceramic SMD 100 nF. +80-20% 25V.	
C356	0250500618	Electrolytic 220 µF. 16V.	
C357	0250461217	Electrolytic 100 µF. 25V.	
C359	0230480808	Ceramic SMD 10 nF. 10% 50V.	
C361	0250461217	Electrolytic 100 µF. 25V.	
C362	*	0230160400	Ceramic SMD 22 pF. 1% 50V.
C363	*	0230160400	Ceramic SMD 22 pF. 1% 50V.
C364	*	0230240400	Ceramic SMD 100 pF. 5% 50V.
C365	*	0230240400	Ceramic SMD 100 pF. 5% 50V.
C400	0250461217	Electrolytic 100 µF. 25V.	
C401	0230600801	Ceramic SMD 100 nF. +80-20% 25V.	
C402	0230740003	Ceramic SMD 2,2 µF. 10V. +80-20%	
C403	0230520504	Ceramic SMD 22 nF. 10% 50V.	
C404	0230640401	Ceramic SMD 220 nF. 10% 16V.	
C405	0230360604	Ceramic SMD 1000 pF. 10% 50V.	
C406	0230600702	Ceramic SMD 100 nF. 10% 25V.	
C407	0230740003	Ceramic SMD 2,2 µF. 10V. +80-20%	
C408	0230600702	Ceramic SMD 100 nF. 10% 25V.	
C409	0230600702	Ceramic SMD 100 nF. 10% 25V.	
C410	0230600702	Ceramic SMD 100 nF. 10% 25V.	
C411	0230180309	Ceramic SMD 33 pF. 1% 50V.	
C412	0230180309	Ceramic SMD 33 pF. 1% 50V.	
C413	0230740003	Ceramic SMD 2,2 µF. 10V. +80-20%	
C414	0230520504	Ceramic SMD 22 nF. 10% 50V.	
C415	0250461217	Electrolytic 100 µF. 25V.	
C416	0230520504	Ceramic SMD 22 nF. 10% 50V.	
C417	0230400202	Ceramic SMD 2200 pF. 10% 50V.	
C418	*	0230240400	Ceramic SMD 100 pF. 5% 50V.
C419	*	0230200503	Ceramic SMD 47 pF. 5% 50V.
C420	0230680308	Ceramic SMD 470 nF. 10% 16V.	
C421	0230440406	Ceramic SMD 4700 pF. 10% 50V.	
C422	*	0230240400	Ceramic SMD 100 pF. 5% 50V.
C423	*	0230360604	Ceramic SMD 1000 pF. 10% 50V.
C424	*	0230520504	Ceramic SMD 22 nF. 10% 50V.


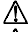


Ref. No.	Part No.	Description	Ref. No.	Part No.	Description
C425	0260340906	Polypropylene 100 nF. 5% 100V.	C861	0250572419	Electrolytic 1000 µF. 16V.
C426	* 0230360604	Ceramic SMD 1000 pF. 10% 50V.	C862	0230640401	Ceramic SMD 220 nF. 10% 16V.
C427	0230600702	Ceramic SMD 100 nF. 10% 25V.	C863	0230360604	Ceramic SMD 1000 pF. 10% 50V.
C428	* 0230240400	Ceramic SMD 100 pF. 5% 50V.	C866	0230360604	Ceramic SMD 1000 pF. 10% 50V.
C429	0230240400	Ceramic SMD 100 pF. 5% 50V.	C868	0250321072	Electrolytic 10 µF. 63V.
C430	0230240400	Ceramic SMD 100 pF. 5% 50V.	C870	0250321072	Electrolytic 10 µF. 63V.
C431	0230240400	Ceramic SMD 100 pF. 5% 50V.	C871	* 0230360604	Ceramic SMD 1000 pF. 10% 50V.
C432	0230360604	Ceramic SMD 1000 pF. 10% 50V.	C874	0250461217	Electrolytic 100 µF. 25V.
C433	0230240400	Ceramic SMD 100 pF. 5% 50V.	C875	0230400202	Ceramic SMD 2200 pF. 10% 50V.
C434	0230680308	Ceramic SMD 470 nF. 10% 16V.	C876	0230360604	Ceramic SMD 1000 pF. 10% 50V.
C435	0250280856	Electrolytic 4,7 µF. 100V.	C900	* 0230320608	Ceramic SMD 470 pF. 5% 50V.
C436	0230600801	Ceramic SMD 100 nF. +80-20% 25V.	C901	* 0230320608	Ceramic SMD 470 pF. 5% 50V.
C437	* 0230360604	Ceramic SMD 1000 pF. 10% 50V.	C902	* 0230320608	Ceramic SMD 470 pF. 5% 50V.
C438	0230360604	Ceramic SMD 1000 pF. 10% 50V.	C903	* 0230320608	Ceramic SMD 470 pF. 5% 50V.
C439	* 0230480808	Ceramic SMD 10 nF. 10% 50V.	C904	* 0230320608	Ceramic SMD 470 pF. 5% 50V.
C442	0250321072	Electrolytic 10 µF. 63V.	C905	* 0230320608	Ceramic SMD 470 pF. 5% 50V.
C443	0230440406	Ceramic SMD 4700 pF. 10% 50V.	C906	* 0230320608	Ceramic SMD 470 pF. 5% 50V.
C450	* 0230240400	Ceramic SMD 100 pF. 5% 50V.	C907	0250321072	Electrolytic 10 µF. 63V.
C451	* 0230240400	Ceramic SMD 100 pF. 5% 50V.	C913	* 0230240400	Ceramic SMD 100 pF. 5% 50V.
C452	* 0230240400	Ceramic SMD 100 pF. 5% 50V.	C914	* 0230240400	Ceramic SMD 100 pF. 5% 50V.
C453	0230520504	Ceramic SMD 22 nF. 10% 50V.	C917	* 0230240400	Ceramic SMD 100 pF. 5% 50V.
C454	0230520504	Ceramic SMD 22 nF. 10% 50V.	C918	0230600801	Ceramic SMD 100 nF. +80-20% 25V.
C455	0230520504	Ceramic SMD 22 nF. 10% 50V.	C920	0250321072	Electrolytic 10 µF. 63V.
C600A	0270341324	Polyester 100 nF. 10% 250V.	C921	0250321072	Electrolytic 10 µF. 63V.
C601	0270140122	Polyester 2200 pF. 10% 400V.	C923	0250321072	Electrolytic 10 µF. 63V.
C603	0230520504	Ceramic SMD 22 nF. 10% 50V.	C925	* 0230320608	Ceramic SMD 470 pF. 5% 50V.
C604	0230720203	Ceramic SMD 1 µF. 16V. +80-20% 0805	C926	0250410859	Electrolytic 47 µF. 25V.
C650B	0260260500	Polypropylene 22 nF. 3,5% 630V R-15	C928	0250410859	Electrolytic 47 µF. 25V.
C651	⚠ 0260223003	Polypropylene 15 nF. 3,5% 1600V.	C930	0250410859	Electrolytic 47 µF. 25V.
C652B	0260393004	Polypropylene 300 nF. 5% 250V. R-15	C931	0250410859	Electrolytic 47 µF. 25V.
C653	⚠ 0260433065	Polypropylene 820nF. 5% 250V	C934	0250410859	Electrolytic 47 µF. 25V.
C654C	0260150008	Polypropylene 2,7 nF. 1,6KV 3,5%R-15	C935	0250410859	Electrolytic 47 µF. 25V.
C655B	0260268008	Polypropylene 47 nF. 5% 100V.	C936	0250410859	Electrolytic 47 µF. 25V.
C656	0250115318	Electrolytic 2,2 µF. 160V. 6,3X11	C938	0250321072	Electrolytic 10 µF. 63V.
C657	0240132035	Ceramic 470 pF. 10% 1KV.	C939	0230720203	Ceramic SMD 1 µF. 16V. +80-20% 0805
C658	0230260705	Ceramic SMD 150 pF. 10% 630V. 1206	C940	0230720203	Ceramic SMD 1 µF. 16V. +80-20% 0805
C659A	0250504107	Electrolytic 220 µF. 200V. 18x40			
C660	0230340408	Ceramic SMD 680 pF. 10% 630V. 1206			
C661	0250283835	Electrolytic 4,7 µF. 250V.	DIODES		
C663	0230600702	Ceramic SMD 100 nF. 10% 25V.	D102	0360601512	SMD LS4148
C668	0250283835	Electrolytic 4,7 µF. 250V.	D105	0360130819	1N 4148
C669	0230340408	Ceramic SMD 680 pF. 10% 630V. 1206	D106	0360601512	SMD LS4148
C670	0270341324	Polyester 100 nF. 10% 250V.	D107	0360130819	1N 4148
C674	0230520504	Ceramic SMD 22 nF. 10% 50V.	D108	0360102602	Zener BZX79C3V3
C675	0230600702	Ceramic SMD 100 nF. 10% 25V.	D190	0360130819	1N 4148
C680	0250220472	Electrolytic 1 µF. 100V.	D200	0360601512	SMD LS4148
C700	0250463718	Electrolytic 100 µF. 50V. 8X11,5	D201	0360601512	SMD LS4148
C701	0250463718	Electrolytic 100 µF. 50V. 8X11,5	D250	0360706014	HZT33-02 RE
C703	0270370588	Polyester 180 nF. 10% 63V.	D251	0360601512	SMD LS4148
C704	0250463718	Electrolytic 100 µF. 50V. 8X11,5	D300	0360103204	Zener BZX79C5V1
C710	0270341480	Polyester 100 nF. 10% 63V.	D301	0360103204	Zener BZX79C5V1
C711	* 0230360604	Ceramic SMD 1000 pF. 10% 50V.	D350	0360601512	SMD LS4148
C712	0270220726	Polyester 10 nF. 10% 250V.	D351	0360601512	SMD LS4148
C750	0230360604	Ceramic SMD 1000 pF. 10% 50V.	D401	0360602411	Zener SMD BZT55C6V2
C751	* 0230480808	Ceramic SMD 10 nF. 10% 50V.	D402	0360601512	SMD LS4148
C753	0250284023	Electrolytic 4,7 µF. 160V.	D600	0360605604	SMD BAV103 200V 0,25A
C802	0240134767	Ceramic 1000 pF. +20% 1KV.	D650	0360118608	ERD07-15L
C803	0240134767	Ceramic 1000 pF. +20% 1KV.	D651	0360007215	BAV21 DIODE
C806	0230240400	Ceramic SMD 100 pF. 5% 50V.	D652A	0360380109	RU3AM
C807	0230200503	Ceramic SMD 47 pF. 5% 50V.	D653	0360377006	ERB44-04
C809	0230300709	Ceramic SMD 330 pF. 5% 50V.	D654	0360601512	SMD LS4148
C810	0250503661	Electrolytic. 220 µF. 385V. 30X35	D655	0360603914	Zener SMD BZT55C33
C811	0250412970	Electrolytic 47 µF. 50V.	D658	0360601512	SMD LS4148
C812	⚠* 0240136135	Ceramic Capacitor 1000 pF. 20% 4KV.	D659	0360130819	1N 4148
C813	0230360505	Ceramic SMD 1000 pF 5% 100V.0805	D660	0360601512	SMD LS4148
C814	0230260309	Ceramic SMD 150 pF. 10% 1KV. 1206	D661	0360603914	Zener SMD BZT55C33
C816	⚠* 0240136135	Ceramic Capacitor 1000 pF. 20% 4KV.	D663	0360377006	ERB44-04
C817	0230300303	Ceramic SMD 330 pF. 10% 630V. 1206	D672	0360601512	SMD LS4148
C818	0230300303	Ceramic SMD 330 pF. 10% 630V. 1206	D674	0360603310	Zener SMD BZT55C15
C850	0230280505	Ceramic SMD 220 pF. 10% 1KV. 1206	D675	0360601512	SMD LS4148
C851	0230360604	Ceramic SMD 1000 pF. 10% 50V.	D683	0360601512	SMD LS4148
C852	0230360604	Ceramic SMD 1000 pF. 10% 50V.	D700	0360601512	SMD LS4148
C855	0230600801	Ceramic SMD 100 nF. +80-20% 25V.	D701	0360130629	1N 4007 RL
C856	0250465218	Electrolytic 100 µF. 200V.	D702	0360130819	1N 4148
C857	0250601515	Electrolytic 2200 µF. 25V. R-7,5	D703	0360603914	Zener SMD BZT55C33
C858	0250531910	Electrolytic 470µF. 25V. 10X12,5	D704	0360130819	1N 4148
C859	0250531910	Electrolytic 470µF. 25V. 10X12,5	D705	0360135107	Zener BZX79C8V2
C860	0250572419	Electrolytic 1000 µF. 16V.	D750	0360601512	SMD LS4148
			D751	0360105100	Zener BZX79C11

Ref. No.	Part No.	Description	Ref. No.	Part No.	Description
D752	0360130819	1N 4148	J235	0790701106	R.M.G. SMD 0 Ω 1/10W.
D753	0360130819	1N 4148	J236	0790701106	R.M.G. SMD 0 Ω 1/10W.
D754	0360607006	Zener SMD MMSZ56T1	J237	0790701106	R.M.G. SMD 0 Ω 1/10W.
D800	0360372411	ERC05-10B V1	J242	0790701106	R.M.G. SMD 0 Ω 1/10W.
D801	0360372411	ERC05-10B V1	J248	0790701106	R.M.G. SMD 0 Ω 1/10W.
D802	0360372411	ERC05-10B V1	J250	0790701106	R.M.G. SMD 0 Ω 1/10W.
D803	0360372411	ERC05-10B V1	J251	0790701106	R.M.G. SMD 0 Ω 1/10W.
D804	0360602411	Zener SMD BZT55C6V2	J255	0790701106	R.M.G. SMD 0 Ω 1/10W.
D806	0360376909	ERB44-02	J256	0790701106	R.M.G. SMD 0 Ω 1/10W.
D850	0360374409	RU4B LF-T3	J264	0790701106	R.M.G. SMD 0 Ω 1/10W.
D851	0360378905	Schottky FMB-G19L 90V 4ATO220	J267	0790701106	R.M.G. SMD 0 Ω 1/10W.
D852A	0360379606	1R5GH45 400V 1.5A			
D853A	0360379606	1R5GH45 400V 1.5A			
D854	0360376909	ERB44-02	KVBM	0330191701	2P. Socket
D855A	0360376701	Schottky RK 19 V1 90V 1,5A	K300	0330330002	8P. Connector
D857	0360606115	Zener SMD BZT55C4V3	K301	0330330002	8P. Connector
D859	0360606115	Zener SMD BZT55C4V3	K302	0330490301	Connector Assy 10P W/Wires 260 MM
D860	0360602213	Zener SMD BZT55C5V1			
D861	0360603914	Zener SMD BZT55C33			
D862	0360130819	1N 4148	COILS		
D863	0360104202	Zener BZX79C6V2	L100	0090305327	Peaking Coil 10 μH. 10%
D866	0360601512	SMD LS4148	L101	0620005801	Ferrite SMD 0805 1K/100MHz 0,2A
D867	0360130819	1N 4148	L102	0620005801	Ferrite SMD 0805 1K/100MHz 0,2A
D870	0360130819	1N 4148	L104	0620005801	Ferrite SMD 0805 1K/100MHz 0,2A
D871	0360130819	1N 4148	L1050	0090319229	Peaking Coil 4,7 μH. 10%
D900	0360602213	Zener SMD BZT55C5V1	L1051	0620005801	Ferrite SMD 0805 1K/100MHz 0,2A
D901	0360602213	Zener SMD BZT55C5V1	L1052	0620005801	Ferrite SMD 0805 1K/100MHz 0,2A
D902	0360602213	Zener SMD BZT55C5V1	L1054	0620011502	Ferrite SMD 0603 600 Ω/100MHz
D903	0360602213	Zener SMD BZT55C5V1	L1055	0620011502	Ferrite SMD 0603 600 Ω/100MHz
D904	0360602213	Zener SMD BZT55C5V1	L250	0090305665	Peaking Coil 4,7 μH 10% I MAX=930MA
D905	0360602213	Zener SMD BZT55C5V1	L251	0090317140	Peaking Coil 0,39 μH. 20% RADIAL
D906	0360602213	Zener SMD BZT55C5V1	L252	0090319229	Peaking Coil 4,7 μH. 10%
D908	0360602213	Zener SMD BZT55C5V1	L300	0090817305	Axial Inductor 12 μH. 10% 1,8A.
D909	0360602213	Zener SMD BZT55C5V1	L301	0620005900	Ferrite SMD 1206 600 Ω/100MH 1,5A
D910	0360602213	Zener SMD BZT55C5V1	L302	0620005900	Ferrite SMD 1206 600 Ω/100MH 1,5A
D911	0360602213	Zener SMD BZT55C5V1	L303	0620005900	Ferrite SMD 1206 600 Ω/100MH 1,5A
D912	0360602213	Zener SMD BZT55C5V1	L304	0620005900	Ferrite SMD 1206 600 Ω/100MH 1,5A
D914	0360602213	Zener SMD BZT55C5V1	L305	0090817305	Axial Inductor 12 μH. 10% 1,8A.
D917	0360602213	Zener SMD BZT55C5V1	L350	0470040007	Jumper Lead 0,6 mm.
D918	0360601512	SMD LS4148	L351	0470040007	Jumper Lead 0,6 mm.
D919	0360601512	SMD LS4148	L400	0090319229	Peaking Coil 4,7 μH. 10%
D920	0360601512	SMD LS4148	L401	0470040007	Jumper Lead 0,6 mm.
D921	0360130819	1N 4148	L404	0620011502	Ferrite SMD 0603 600 Ω/100MHz
FA	0330270307	2P. Socket	L405	0090319229	Peaking Coil 4,7 μH. 10%
FB1	0330191701	2P. Socket	L410	0470040007	Jumper Lead 0,6 mm.
FB2	0330270109	2 P. Socket	L600	0090817206	Axial Inductor 3,3 μH. 10% 2,6A.
FD	0330144205	Ribbon Wire Holder 4 P.	L651A	0090804105	Coil 1,3 MH. +-10% 2A. CU20
FF1	0330190000	2P. Connector	L652	0090209206	Fixed Lineality Coil DC-15 29" TF
FF2	0330270109	2 P. Socket	L654	0090817305	Axial Inductor 12 μH. 10% 1,8A.
FH	0330144304	Ribbon Wire Holder 5 P.	L656	0090207200	Coil 3,3 MH. 10% 0,175 A.
			L661	0620005900	Ferrite SMD 1206 600 Ω/100MH 1,5A
			L668	0620005900	Ferrite SMD 1206 600 Ω/100MH 1,5A
INTEGRATED CIRCUITS			L700	0090305327	Peaking Coil 10 μH. 10%
IC100	* 0360519003	SAA 5564PS	L703	0090305327	Peaking Coil 10 μH. 10%
IC1050	* 0360515605	SMD TDA9181T/N1	L750A	0090502907	E/W Correction Coil 5,5MH. 14X15
IC125	0360712012	SMD M24C08-WMN6T	L802	0620005702	Ferrite Bead 3, 180 Ω/100MHz
IC1250	0360517601	SMD TS922IDT	L803	0790109300	Carbon 3,3 Ω 5% 1/4W.
IC300	0360517304	TDA 8946 J N1	L850	0620005116	Pipe Core 3,5X4,5
IC350	* 0360472609	KA2209B	L851	0620005116	Pipe Core 3,5X4,5
IC400	* 0360517106	TDA 8879PS N1	L852	0620005116	Pipe Core 3,5X4,5
IC701	* 0360517007	LA7846N	L853	0620005116	Pipe Core 3,5X4,5
IC800	0360517205	MC44603ADW SMD	L854	0620005116	Pipe Core 3,5X4,5
IC801	△ 0360491203	OPTO TCET1101G	L855	0620005116	Pipe Core 3,5X4,5
IC850	0360378764	KA431LZTA TO-92	L856	0620005702	Ferrite Bead 3, 180 Ω/100MHz
IC852	0360473409	LD1117V33C TO220	L857	0620005900	Ferrite SMD 1206 600 Ω/100MH 1,5A
IC853	0360472708	KA78R08TU	L858	0620005900	Ferrite SMD 1206 600 Ω/100MH 1,5A
IC854	0360472807	KA78R05-STU	L859	0620005900	Ferrite SMD 1206 600 Ω/100MH 1,5A
IC900	* 0360708804	LA 7221	L860	0620005900	Ferrite SMD 1206 600 Ω/100MH 1,5A
			L861	0620005702	Ferrite Bead 3, 180 Ω/100MHz
JO104	0790701106	R.M.G. SMD 0 Ω 1/10W.	L862	0620005900	Ferrite SMD 1206 600 Ω/100MH 1,5A
JO202	0790701106	R.M.G. SMD 0 Ω 1/10W.	L863	0620005900	Ferrite SMD 1206 600 Ω/100MH 1,5A
JO252	0790701106	R.M.G. SMD 0 Ω 1/10W.	L864	0090817305	Axial Inductor 12 μH. 10% 1,8A.
JO253	0790701106	R.M.G. SMD 0 Ω 1/10W.	L865	0090817305	Axial Inductor 12 μH. 10% 1,8A.
JO701	* 0790701106	R.M.G. SMD 0 Ω 1/10W.	L866	0090319765	Peaking Coil 22 μH. 10% I MAX=130MA
JO702	* 0790701106	R.M.G. SMD 0 Ω 1/10W.	L900	0470040007	Jumper Lead 0,6 mm.
J129	0790701106	R.M.G. SMD 0 Ω 1/10W.	L901	0470040007	Jumper Lead 0,6 mm.
J198	0790701106	R.M.G. SMD 0 Ω 1/10W.	L902	0470040007	Jumper Lead 0,6 mm.
			L903	0090319229	Peaking Coil 4,7 μH. 10%

Ref. No.	Part No.	Description	Ref. No.	Part No.	Description
L905	*	0620011502 Ferrite SMD 0603 600 Ω/100MHZ	R1050	0790752208 R.M.G. SMD 12 KΩ T<=5% 0805	
PCB11	△	0750153629 MAIN PCB EB5-C	R1051	0790235006 R.M.G. SMD 470 Ω T<=5% 0805	
TRANSISTORS			R106	0790138804 Carbon 1 KΩ 5% 1/6W.	
Q100		0360320501 BRT SMD PDTA124ET	R107	0790138804 Carbon 1 KΩ 5% 1/6W.	
Q101		0360320501 BRT SMD PDTA124ET	R108	0790239008 R.M.G. SMD 1 KΩ T<=5% 0805	
Q102		0360320303 SMD BC 847 B	R109	0790239008 R.M.G. SMD 1 KΩ T<=5% 0805	
Q104		0360320303 SMD BC 847 B	R110	0790138804 Carbon 1 KΩ 5% 1/6W.	
Q105		0360320303 SMD BC 847 B	R112	0790141600 Carbon 1,5 KΩ 5% 1/6W.	
Q1050		0360320600 BRT SMD PDTC124ET	R113	0790146401 Carbon 3,9 KΩ 5% 1/6W.	
Q1051		0360320303 SMD BC 847 B	R114	0790756001 R.M.G. SMD 24 KΩ 1% 1/8W.	
Q106		0360320600 BRT SMD PDTC124ET	R118	0790239008 R.M.G. SMD 1 KΩ T<=5% 0805	
Q107		0360321301 SMD BC 857 B	R119	0790239008 R.M.G. SMD 1 KΩ T<=5% 0805	
Q1250		0360308803 SMD PMBT2369	R120	0470040007 Jumper Lead 0,6 mm.	
Q190		0360320303 SMD BC 847 B	R121	0470040007 Jumper Lead 0,6 mm.	
Q200		0360320303 SMD BC 847 B	R122	0790237002 R.M.G. SMD 680 Ω T<=5% 0805	
Q201		0360320600 BRT SMD PDTC124ET	R123	0790239008 R.M.G. SMD 1 KΩ T<=5% 0805	
Q202		0360321301 SMD BC 857 B	R125	0790723506 R.M.G. SMD 47 Ω 1% 1/10W.	
Q203		0360320303 SMD BC 847 B	R1251	0790131106 Carbon 220 Ω 5% 1/4W.	
Q204		0360320303 SMD BC 847 B	R1252	0790247001 R.M.G. SMD 4,7 KΩ T<=5% 0805	
Q207		0360320600 BRT SMD PDTC124ET	R1253	0790255004 R.M.G. SMD 22 KΩ T<=5% 0805	
Q250		0360320303 SMD BC 847 B	R1254	0790767503 R.M.G. SMD 220 KΩ T<=5% 0805	
Q251		0360308803 SMD PMBT2369	R1255	0790268007 R.M.G. SMD 330 KΩ T<=5% 0805	
Q252		0360320501 BRT SMD PDTA124ET	R1256	0790258503 R.M.G. SMD 43 KΩ T<=5% 0805	
Q253		0360320501 BRT SMD PDTA124ET	R1257	0790256002 R.M.G. SMD 27 KΩ T<=5% 0805	
Q254		0360320501 BRT SMD PDTA124ET	R1258	0790701106 R.M.G. SMD 0 Ω 1/10W.	
Q255		0360320410 SMD BF 570	R126	0790723506 R.M.G. SMD 47 Ω 1% 1/10W.	
Q257		0360320600 BRT SMD PDTC124ET	R1262	0790757603 R.M.G. SMD 33 KΩ T<=5% 0805	
Q300		0360320600 BRT SMD PDTC124ET	R127	0790723506 R.M.G. SMD 47 Ω 1% 1/10W.	
Q301		0360320600 BRT SMD PDTC124ET	R128	0790247001 R.M.G. SMD 4,7 KΩ T<=5% 0805	
Q350		0360320600 BRT SMD PDTC124ET	R129	0790155600 Carbon 22 KΩ 5% 1/6W.	
Q351		0360320600 BRT SMD PDTC124ET	R130	0790741805 R.M.G. SMD 1,5 KΩ T<=5% 0805	
Q352		0360320600 BRT SMD PDTC124ET	R131	0790755706 R.M.G. SMD 23,7 KΩ 1% 1/8W.	
Q400		0360320303 SMD BC 847 B	R132	0790758304 R.M.G. SMD 39 KΩ 1% 1/8W.	
Q401		0360320303 SMD BC 847 B	R133	0790255004 R.M.G. SMD 22 KΩ T<=5% 0805	
Q600		0360309108 2SC2271D-CTV-AE	R134	0790255004 R.M.G. SMD 22 KΩ T<=5% 0805	
Q604		0360321301 SMD BC 857 B	R135	0790239008 R.M.G. SMD 1 KΩ T<=5% 0805	
Q650		0360306708 S 2055 N	R136	0790138804 Carbon 1 KΩ 5% 1/6W.	
Q651		0360320303 SMD BC 847 B	R137	0790138804 Carbon 1 KΩ 5% 1/6W.	
Q652		0360320303 SMD BC 847 B	R138	0790138804 Carbon 1 KΩ 5% 1/6W.	
Q653		0360308605 KSP 92 TO-92	R139	0790255004 R.M.G. SMD 22 KΩ T<=5% 0805	
Q672		0360308506 KSP 42 TO-92	R140	0790239008 R.M.G. SMD 1 KΩ T<=5% 0805	
Q673		0360320303 SMD BC 847 B	R141	0790126700 Carbon 100 Ω 5% 1/6W.	
Q674		0360321301 SMD BC 857 B	R142	0790126700 Carbon 100 Ω 5% 1/6W.	
Q750		0360309009 BD242BFP	R143	0790247001 R.M.G. SMD 4,7 KΩ T<=5% 0805	
Q751		0360320600 BRT SMD PDTC124ET	R144	0790247001 R.M.G. SMD 4,7 KΩ T<=5% 0805	
Q752		0360308605 KSP 92 TO-92	R145	0790138804 Carbon 1 KΩ 5% 1/6W.	
Q753		0360308605 KSP 92 TO-92	R146	0790138804 Carbon 1 KΩ 5% 1/6W.	
Q754		0360308506 KSP 42 TO-92	R148	0790251003 R.M.G. SMD 10 KΩ T<=5% 0805	
Q800	*	0360311302 MOS 2SK2545 600V/6A	R149	0790247001 R.M.G. SMD 4,7 KΩ T<=5% 0805	
Q850		0360311203 MOS 2SK2964 30V/2A SMD	R150	0790130504 Carbon 180 Ω 5% 1/6W	
Q851		0360320600 BRT SMD PDTC124ET	R152	0790749808 R.M.G. SMD 7,5 KΩ T<=5% 0805	
Q852		0360311203 MOS 2SK2964 30V/2A SMD	R153	0790749808 R.M.G. SMD 7,5 KΩ T<=5% 0805	
Q853		0360320303 SMD BC 847 B	R156	0790138804 Carbon 1 KΩ 5% 1/6W.	
Q854		0360320303 SMD BC 847 B	R157	0790143606 Carbon 2,2 KΩ 5% 1/6W.	
Q855		0360320303 SMD BC 847 B	R158	0790243000 R.M.G. SMD 2,2 KΩ T<=5% 0805	
Q856		0360320303 SMD BC 847 B	R160	0790263008 R.M.G. SMD 100 KΩ T<=5% 0805	
Q857		0360320600 BRT SMD PDTC124ET	R162	0790255004 R.M.G. SMD 22 KΩ T<=5% 0805	
Q858		0360320501 BRT SMD PDTA124ET	R163	0790255004 R.M.G. SMD 22 KΩ T<=5% 0805	
Q859		0360320303 SMD BC 847 B	R165	0790239008 R.M.G. SMD 1 KΩ T<=5% 0805	
Q861		0360320600 BRT SMD PDTC124ET	R166	0790239008 R.M.G. SMD 1 KΩ T<=5% 0805	
Q862		0360308605 KSP 92 TO-92	R167	0790239008 R.M.G. SMD 1 KΩ T<=5% 0805	
Q863		0360308506 KSP 42 TO-92	R168	0790251003 R.M.G. SMD 10 KΩ T<=5% 0805	
Q900		0360320303 SMD BC 847 B	R169	0790251003 R.M.G. SMD 10 KΩ T<=5% 0805	
Q901		0360320303 SMD BC 847 B	R170	0790251003 R.M.G. SMD 10 KΩ T<=5% 0805	
Q904		0360308803 SMD PMBT2369	R174	0790126700 Carbon 100 Ω 5% 1/6W.	
Q905		0360308803 SMD PMBT2369	R179	0470040007 Jumper Lead 0,6 mm.	
Q906		0360308803 SMD PMBT2369	R182	0790126700 Carbon 100 Ω 5% 1/6W.	
Q907		0360321301 SMD BC 857 B	R190	0790251003 R.M.G. SMD 10 KΩ T<=5% 0805	
Q908		0360320303 SMD BC 847 B	R191	0790263008 R.M.G. SMD 100 KΩ T<=5% 0805	
RESISTORS			R192	0790235006 R.M.G. SMD 470 Ω T<=5% 0805	
R100		0790239008 R.M.G. SMD 1 KΩ T<=5% 0805	R193	0790239008 R.M.G. SMD 1 KΩ T<=5% 0805	
R101		0790239008 R.M.G. SMD 1 KΩ T<=5% 0805	R194	0790328603 Metal Film 75 Ω 1% 0,6W.	
R102		0790239008 R.M.G. SMD 1 KΩ T<=5% 0805	R195	0790239008 R.M.G. SMD 1 KΩ T<=5% 0805	
R103		0790239008 R.M.G. SMD 1 KΩ T<=5% 0805	R196	0790328603 Metal Film 75 Ω 1% 0,6W.	
R105		0790580203 Metal Film 22 KΩ 1% 0,4W.	R197	0790239008 R.M.G. SMD 1 KΩ T<=5% 0805	

Ref. No.	Part No.	Description	Ref. No.	Part No.	Description
R198	0790328603	Metal Film 75 Ω 1% 0,6W.	R412	0790243000	R.M.G. SMD 2,2 K Ω T<=5% 0805
R200	0790239008	R.M.G. SMD 1 K Ω T<=5% 0805	R413	0790227003	R.M.G. SMD 100 Ω T<=5% 0805
R201	0790131106	Carbon 220 Ω 5% 1/4W.	R414	0790756308	Carbon 27 K Ω 5% 1/6W.
R202	0790239008	R.M.G. SMD 1 K Ω T<=5% 0805	R415	0790239008	R.M.G. SMD 1 K Ω T<=5% 0805
R203	0470040007	Jumper Lead 0,6 mm.	R416	0790288005	R.M.G. SMD 10 M Ω 5% 1/10W.
R204	0790864102	R.M.G. SMD 1,2 K Ω T<=5% 0805	R417	0790288005	R.M.G. SMD 10 M Ω 5% 1/10W.
R205	0790239008	R.M.G. SMD 1 K Ω T<=5% 0805	R418	0790753909	R.M.G. SMD 15 K Ω T<=5% 0805
R207	* 0790223002	R.M.G. SMD 47 Ω T<=5% 0805	R419	0790753909	R.M.G. SMD 15 K Ω T<=5% 0805
R208	* 0790223002	R.M.G. SMD 47 Ω T<=5% 0805	R420	0790251003	R.M.G. SMD 10 K Ω T<=5% 0805
R209	0790239008	R.M.G. SMD 1 K Ω T<=5% 0805	R423	0790263008	R.M.G. SMD 100 K Ω T<=5% 0805
R210	0790239008	R.M.G. SMD 1 K Ω T<=5% 0805	R424	0790757603	R.M.G. SMD 33 K Ω T<=5% 0805
R211	0790239008	R.M.G. SMD 1 K Ω T<=5% 0805	R425	0790180707	R.M.G. SMD 2,2 M Ω T<=5% 0805
R212	0790234009	R.M.G. SMD 390 Ω T<=5% 0805	R426	0790758304	R.M.G. SMD 39 K Ω 1% 1/8W.
R213	0790235006	R.M.G. SMD 470 Ω T<=5% 0805	R427	0790137707	Carbon 680 Ω 5% 1/6W
R214	0790234009	R.M.G. SMD 390 Ω T<=5% 0805	R428	0790123400	Carbon 47 Ω 5% 1/6W.
R215	0790846109	R.M.G. SMD 220 Ω T<=5% 0805	R429	0790227003	R.M.G. SMD 100 Ω T<=5% 0805
R216	0790239008	R.M.G. SMD 1 K Ω T<=5% 0805	R431	0790126700	Carbon 100 Ω 5% 1/6W.
R217	0790235006	R.M.G. SMD 470 Ω T<=5% 0805	R432	0790126700	Carbon 100 Ω 5% 1/6W.
R218	0790133607	Carbon 330 Ω 5% 1/6W.	R433	0790126700	Carbon 100 Ω 5% 1/6W.
R219	0790133607	Carbon 330 Ω 5% 1/6W.	R440	0790184402	Carbon 4,7 M Ω 5% 1/4W.
R220	0790131908	Carbon 220 Ω 5% 1/6W.	R442	0790239008	R.M.G. SMD 1 K Ω T<=5% 0805
R250	 0790579437	Metal Film 18 K Ω 5% 2W.	R443	0790239008	R.M.G. SMD 1 K Ω T<=5% 0805
R251	0790138804	Carbon 1 K Ω 5% 1/6W.	R444	0790227003	R.M.G. SMD 100 Ω T<=5% 0805
R252	0790235006	R.M.G. SMD 470 Ω T<=5% 0805	R450	* 0790126700	Carbon 100 Ω 5% 1/6W.
R253	0790263008	R.M.G. SMD 100 K Ω T<=5% 0805	R451	* 0790126700	Carbon 100 Ω 5% 1/6W.
R254	0790126700	Carbon 100 Ω 5% 1/6W.	R452	* 0790126700	Carbon 100 Ω 5% 1/6W.
R255	0790153605	Carbon 15 K Ω 5% 1/6W	R453	0790126700	Carbon 100 Ω 5% 1/6W.
R256	0790753909	R.M.G. SMD 15 K Ω T<=5% 0805	R454	0790126700	Carbon 100 Ω 5% 1/6W.
R258	0790259006	R.M.G. SMD 47 K Ω T<=5% 0805	R455	0790126700	Carbon 100 Ω 5% 1/6W.
R259	0790874101	R.M.G. SMD 2,7 K Ω T<=5% 0805	R456	0790126700	Carbon 100 Ω 5% 1/6W.
R260	0790239008	R.M.G. SMD 1 K Ω T<=5% 0805	R457	0790227003	R.M.G. SMD 100 Ω T<=5% 0805
R261	0790251003	R.M.G. SMD 10 K Ω T<=5% 0805	R458	0790126700	Carbon 100 Ω 5% 1/6W.
R262	0790251003	R.M.G. SMD 10 K Ω T<=5% 0805	R459	0790126700	Carbon 100 Ω 5% 1/6W.
R263	0790246003	R.M.G. SMD 3,9 K Ω T<=5% 0805	R601A	0790147300	Carbon 4,7 K Ω 5% 1/2W.
R264	0790753909	R.M.G. SMD 15 K Ω T<=5% 0805	R602	0790248009	R.M.G. SMD 5,6 K Ω T<=5% 0805
R265	0790701106	R.M.G. SMD 0 Ω 1/10W.	R603	 0790344030	Metal Film 1,2 K Ω 5% 2W.
R266	0790242002	R.M.G. SMD 1,8 K Ω 5% 1/10W.	R604	0790239008	R.M.G. SMD 1 K Ω T<=5% 0805
R267	0790874101	R.M.G. SMD 2,7 K Ω T<=5% 0805	R605	0790243000	R.M.G. SMD 2,2 K Ω T<=5% 0805
R268	0790223002	R.M.G. SMD 47 Ω T<=5% 0805	R606	0470040007	Jumper Lead 0,6 mm.
R269	0790229009	R.M.G. SMD 150 Ω T<=5% 0805	R607	0790223002	R.M.G. SMD 47 Ω T<=5% 0805
R300	0790750004	Carbon 7,5 K Ω 5% 1/6W.	R608	 0790578132	Metal Film 15 K Ω 5% 2W.
R301	0790245005	R.M.G. SMD 3,3 K Ω T<=5% 0805	R612	 0790518807	Metal Film 0,56 Ω 5% 1,2W. __
R302	0790750004	Carbon 7,5 K Ω 5% 1/6W.	R651	0790331201	Metal Film 120 Ω 5% 2W.
R303	0790245005	R.M.G. SMD 3,3 K Ω T<=5% 0805	R652	0790559223	Metal Film 820 Ω 5% 1W.
R304	0790251003	R.M.G. SMD 10 K Ω T<=5% 0805	R653	0470040007	Jumper Lead 0,6 mm.
R305	0790251003	R.M.G. SMD 10 K Ω T<=5% 0805	R654	0790701106	R.M.G. SMD 0 Ω 1/10W.
R309	0790239008	R.M.G. SMD 1 K Ω T<=5% 0805	R655	0790527014	Metal Film 1,8 Ω 5% 2W.
R310	 0790200000	Fuse 0,1 Ω 10% 0,5W	R656	0790260004	R.M.G. SMD 56 K Ω T<=5% 0805
R311	0790111207	Carbon 4,7 Ω 5% 1/4W.	R657	0790259006	R.M.G. SMD 47 K Ω T<=5% 0805
R312	0790111207	Carbon 4,7 Ω 5% 1/4W.	R658	0790259006	R.M.G. SMD 47 K Ω T<=5% 0805
R350	0790123103	Carbon 47 Ω 5% 1/4W.	R660	0790251003	R.M.G. SMD 10 K Ω T<=5% 0805
R351	0790123103	Carbon 47 Ω 5% 1/4W.	R661	0790251003	R.M.G. SMD 10 K Ω T<=5% 0805
R352	0790711204	R.M.G. SMD 4,7 Ω T<=5% 0805	R662	0790131908	Carbon 220 Ω 5% 1/6W.
R353	0790711204	R.M.G. SMD 4,7 Ω T<=5% 0805	R663	0790151500	Carbon 10 K Ω 5% 1/6W.
R354	0790318000	R.M.G. SMD 10 Ω T<=5% 0805	R666A	0790512313	Metal Film 0,33 Ω 5% 1W.
R355	0790247001	R.M.G. SMD 4,7 K Ω T<=5% 0805	R667	0790239008	R.M.G. SMD 1 K Ω T<=5% 0805
R356	0790247001	R.M.G. SMD 4,7 K Ω T<=5% 0805	R668	0790163000	Carbon 100 K Ω 5% 1/6W
R357	0790255004	R.M.G. SMD 22 K Ω T<=5% 0805	R669	0790255004	R.M.G. SMD 22 K Ω T<=5% 0805
R359	0790741805	R.M.G. SMD 1,5 K Ω T<=5% 0805	R670	0790701106	R.M.G. SMD 0 Ω 1/10W.
R360	0790159503	Carbon 47 K Ω 5% 1/6W	R675	0470040007	Jumper Lead 0,6 mm.
R361	0790741805	R.M.G. SMD 1,5 K Ω T<=5% 0805	R676	0790263008	R.M.G. SMD 100 K Ω T<=5% 0805
R362	0790259006	R.M.G. SMD 47 K Ω T<=5% 0805	R677	0790159503	Carbon 47 K Ω 5% 1/6W
R363	0790239008	R.M.G. SMD 1 K Ω T<=5% 0805	R678	0790888101	R.M.G. SMD 9,1 K Ω T<=5% 0805
R364	0790239008	R.M.G. SMD 1 K Ω T<=5% 0805	R679	0790156103	Carbon 27 K Ω 5% 1/4W.
R400	0790126700	Carbon 100 Ω 5% 1/6W.	R680	0790263008	R.M.G. SMD 100 K Ω T<=5% 0805
R401	0790126700	Carbon 100 Ω 5% 1/6W.	R681	0790255103	Metal GL. RES. 22 K Ω 1% 1/10W.
R402	0790151500	Carbon 10 K Ω 5% 1/6W.	R682	0790259006	R.M.G. SMD 47 K Ω T<=5% 0805
R403	0790227003	R.M.G. SMD 100 Ω T<=5% 0805	R683	0790259006	R.M.G. SMD 47 K Ω T<=5% 0805
R404	0790227003	R.M.G. SMD 100 Ω T<=5% 0805	R684	0790143606	Carbon 2,2 K Ω 5% 1/6W.
R405	0790227003	R.M.G. SMD 100 Ω T<=5% 0805	R685	0790260004	R.M.G. SMD 56 K Ω T<=5% 0805
R408	0790126700	Carbon 100 Ω 5% 1/6W.	R688	0790767503	R.M.G. SMD 220 K Ω T<=5% 0805
R409	0790126700	Carbon 100 Ω 5% 1/6W.	R689	0790151500	Carbon 10 K Ω 5% 1/6W.
R410	0790126700	Carbon 100 Ω 5% 1/6W.	R690	0790255004	R.M.G. SMD 22 K Ω T<=5% 0805
R411	0790126700	Carbon 100 Ω 5% 1/6W.	R691	0790127104	Carbon 100 Ω 5% 1/4W.

Ref. No.	Part No.	Description
AUDIO PCB		
CAPACITORS		
C1301	0230720203	Ceramic SMD 1 μ F. 16V. +80-20% 0805
C1302	0230480808	Ceramic SMD 10 nF. 10% 50V.
C1303	0230600702	Ceramic SMD 100 nF. 10% 25V.
C1304	0230480808	Ceramic SMD 10 nF. 10% 50V.
C1305	0230720203	Ceramic SMD 1 μ F. 16V. +80-20% 0805
C1306	0230480808	Ceramic SMD 10 nF. 10% 50V.
C1307	0230720203	Ceramic SMD 1 μ F. 16V. +80-20% 0805
C1308	0230720203	Ceramic SMD 1 μ F. 16V. +80-20% 0805
C1309	0230720203	Ceramic SMD 1 μ F. 16V. +80-20% 0805
C1310	0230720203	Ceramic SMD 1 μ F. 16V. +80-20% 0805
C1311	0230720203	Ceramic SMD 1 μ F. 16V. +80-20% 0805
C1312	0230720203	Ceramic SMD 1 μ F. 16V. +80-20% 0805
C1313	* 0230240400	Ceramic SMD 100 pF. 5% 50V.
C1314	* 0230240400	Ceramic SMD 100 pF. 5% 50V.
C1319	0230720203	Ceramic SMD 1 μ F. 16V. +80-20% 0805
C1320	0250410859	Electrolytic 47 μ F. 25V.
C1323	0250410859	Electrolytic 47 μ F. 25V.
C1324	0230320707	Ceramic SMD 470 pF. 10% 50V.
C1326	0230320707	Ceramic SMD 470 pF. 10% 50V.
C1328	0230320707	Ceramic SMD 470 pF. 10% 50V.
C1330	0230320707	Ceramic SMD 470 pF. 10% 50V.
C1332	0250410859	Electrolytic 47 μ F. 25V.
C1333	0230480808	Ceramic SMD 10 nF. 10% 50V.
C1334	0230480808	Ceramic SMD 10 nF. 10% 50V.
C1335	0230480808	Ceramic SMD 10 nF. 10% 50V.
C1336	0230480808	Ceramic SMD 10 nF. 10% 50V.
C1338	0230480808	Ceramic SMD 10 nF. 10% 50V.
C1339	0230480808	Ceramic SMD 10 nF. 10% 50V.
C1340	0230480808	Ceramic SMD 10 nF. 10% 50V.
C1341	0250321072	Electrolytic 10 μ F. 63V.
C1342	0230480808	Ceramic SMD 10 nF. 10% 50V.
C1343	0230720203	Ceramic SMD 1 μ F. 16V. +80-20% 0805
C1344	0230720203	Ceramic SMD 1 μ F. 16V. +80-20% 0805
C1380	0230600702	Ceramic SMD 100 nF. 10% 25V.
C1381	0250410859	Electrolytic 47 μ F. 25V.
C1382	0250280856	Electrolytic 4,7 μ F. 100V.
C1383	0250220472	Electrolytic 1 μ F. 100V.
C1384	0270241136	Polyester 15 nF. 5% 63V.
C1385	0230320608	Ceramic SMD 470 pF. 5% 50V.
C1386	0250280856	Electrolytic 4,7 μ F. 100V.
C1387	0250280856	Electrolytic 4,7 μ F. 100V.
C1388	0270222037	Polyester 10 nF. 5% 63V.
C1389	0270311137	Polyester 56 nF. 5% 63V.
C1390	0250410859	Electrolytic 47 μ F. 25V.
C1391	0270311137	Polyester 56 nF. 5% 63V.
C1392	0270222037	Polyester 10 nF. 5% 63V.
C1393	0250280856	Electrolytic 4,7 μ F. 100V.
C1394	0250280856	Electrolytic 4,7 μ F. 100V.
C1395	0230320608	Ceramic SMD 470 pF. 5% 50V.
C1396	0270241136	Polyester 15 nF. 5% 63V.
C1397	0250220472	Electrolytic 1 μ F. 100V.
C1398	0250280856	Electrolytic 4,7 μ F. 100V.
C1399	0230600702	Ceramic SMD 100 nF. 10% 25V.
DIODES		
D1301	0360602213	Zener SMD BZT55C5V1
D1302	0360602213	Zener SMD BZT55C5V1
D1303	0360602213	Zener SMD BZT55C5V1
D1304	0360602213	Zener SMD BZT55C5V1
INTEGRATED CIRCUITS		
IC1300	0360517700	TDA 9875AH V2
IC1380	0360517403	BA3880AFS
K1300	0330330101	8P. Connector
K1301	0330330101	8P. Connector
K1302	0330198706	10 P. Connector
COILS		
L1300	0620011502	Ferrite SMD 0603 600 Ω /100MHz
L1301	0620011502	Ferrite SMD 0603 600 Ω /100MHz
L1302	0620011502	Ferrite SMD 0603 600 Ω /100MHz
L1303	0620011502	Ferrite SMD 0603 600 Ω /100MHz

Ref. No.	Part No.	Description
L1304	0620005801	Ferrite SMD 0805 1K/100MHz 0,2A
L1305	0090316506	Peaking Coil 2,2 μ H.10% RADIAL
L1306	0620005801	Ferrite SMD 0805 1K/100MHz 0,2A
L1307	0620005801	Ferrite SMD 0805 1K/100MHz 0,2A
L1308	0090316506	Peaking Coil 2,2 μ H.10% RADIAL
L1309	0620011502	Ferrite SMD 0603 600 Ω /100MHz
L1310	0620005801	Ferrite SMD 0805 1K/100MHz 0,2A
PCB14	 0750153926	AUDIO PCB EB5-C
TRANSISTORS		
Q1300	0360320600	BRT SMD PDTC124ET
Q1301	0360320600	BRT SMD PDTC124ET
RESISTORS		
R1300	0790227003	R.M.G. SMD 100 Ω T<=5% 0805
R1301	0790227003	R.M.G. SMD 100 Ω T<=5% 0805
R1302	0790251003	R.M.G. SMD 10 K Ω T<=5% 0805
R1303	0790255004	R.M.G. SMD 22 K Ω T<=5% 0805
R1304	0790701106	R.M.G. SMD 0 Ω 1/10W.
R1305	0790701106	R.M.G. SMD 0 Ω 1/10W.
R1306	0790247001	R.M.G. SMD 4,7 K Ω T<=5% 0805
R1309	0790239008	R.M.G. SMD 1 K Ω T<=5% 0805
R1310	0790752208	R.M.G. SMD 12 K Ω T<=5% 0805
R1311	0790752208	R.M.G. SMD 12 K Ω T<=5% 0805
R1312	0790752208	R.M.G. SMD 12 K Ω T<=5% 0805
R1313	0790752208	R.M.G. SMD 12 K Ω T<=5% 0805
R1314	0790752208	R.M.G. SMD 12 K Ω T<=5% 0805
R1315	0790752208	R.M.G. SMD 12 K Ω T<=5% 0805
R1316	0790232003	R.M.G. SMD 270 Ω T<=5% 0805
R1321	0790247001	R.M.G. SMD 4,7 K Ω T<=5% 0805
X1300	0090121906	Quartz Crystal 24.576 MHz
PWB ASSY FRONT		
CN_NAF	0330430000	Connector Assy 4P W/WireS 90 mm.
CN_NBF	0330490103	Connector Assy 10P W/WireS 90 mm.
CN_NCF	0330460007	Connector Assy 7P W/WireS 90 mm.
CAPACITORS		
C1800	 *	0260380324 Polypropilene 220 nF 10% 275V.
C1801	 *	0260341003 Polypropylene 100 nF. 20% 275V
C1810		0250321072 Electrolytic 10 μ F. 63V.
C1830	*	0240143214 Ceramic 10 nF. +80-20% 63V.
C1831	*	0240143214 Ceramic 10 nF. +80-20% 63V.
C1832		0270341480 Polyester 100 nF. 10% 63V.
C1840	*	0240131417 Ceramic 470 pF. 10% 100V.
C1841		0240131417 Ceramic 470 pF. 10% 100V.
C1843	*	0240131417 Ceramic 470 pF. 10% 100V.
C1844		0240131417 Ceramic 470 pF. 10% 100V.
C1847		0250321072 Electrolytic 10 μ F. 63V.
C1849	*	0240131417 Ceramic 470 pF. 10% 100V.
DIODES		
D1800	0360126205	Red/Green 3 mm.
D1801	0360130819	1N 4148
D1840	0360103204	Zener BZX79C5V1
D1841	0360103204	Zener BZX79C5V1
E1800	0640705117	Eyelet 2,5-3
E1801	0640705117	Eyelet 2,5-3
E1802	0640705117	Eyelet 2,5-3
E1803	0640705117	Eyelet 2,5-3
E1804	0640705117	Eyelet 2,5-3
E1805	0640705117	Eyelet 2,5-3
E1806	0640705117	Eyelet 2,5-3
E1807	0640705117	Eyelet 2,5-3
E1808	0640705117	Eyelet 2,5-3
E1809	0640705117	Eyelet 2,5-3
FAF	0330271305	2P. Socket W/ CLIP
FCF	0330270307	2P. Socket
FEF	0330271305	2P. Socket W/ CLIP
F1800	 0330110503	Fuse T 2 A./250V. TIME-LAG

Ref. No.	Part No.	Description
KVAF	0330191701	2P. Socket
COILS		
L1800	*△	0090412206 Mains Filter 2X27 MH 250VAC 1A
L1801		0090413808 pFC Coil 65 MH 1,05A 47X44X39
L1830	*	0090319765 Peaking Coil 22 μH. 10% I MAX=130MA
L1831	*	0090319765 Peaking Coil 22 μH. 10% I MAX=130MA
L1840	*	0090315029 Peaking Coil 10 μH. 10%
L1841	*	0090315029 Peaking Coil 10 μH. 10%
L1842	*	0090315029 Peaking Coil 10 μH. 10%
PCB20	△	0750154015 PWB Front EB5-C
PF1800		0760100701 Fuse Terminal Taped
PL1802		0130209414 Push Switch L-3,85MM
PL1803		0130209414 Push Switch L-3,85MM
PL1804		0130209414 Push Switch L-3,85MM
PL1805		0130209414 Push Switch L-3,85MM
PT1801	△	0810101907 P.T.C. 18 Ω
RE1800		0090117003 Degaussing RELE 250V/5A 5V/100_Ω
RI1800		0600123509 Infrared Receiver SPS-443-1-E

RESISTORS

R1800	△	0790180111 Carbon 2,2 MΩ 5% 1/2W.
R1801	△	0790184113 Carbon 4,7 MΩ 5% 1/2W.
R1802		0790135206 Carbon 470 Ω 5% 1/4W.
R1812		0790357024 Metal Film 7,50 KΩ 1% 0,4W.
R1813		0790360705 Metal Film 12,0 KΩ 1% 0,4W.
R1814		0790581201 Thin Film Res. 33,2 KΩ 1% 0,6W
R1815		0790583306 Metal Film 51,1 KΩ 1% 0,4W.
R1840		0790036305 Carbon 2,2 KΩ 5% 1/4W.
R1841		0790036305 Carbon 2,2 KΩ 5% 1/4W.
R1842		0790125702 Carbon 75 Ω 5% 1/4W.
SW1800	△	0140204306 Main AC Switch WITHOUT WIPER
S1800		0330729807 Phone Jack Stereo W/Disconnection
S1801		0330159708 3 RCA'S Assembly

ELECTRICAL ASSY

AM1		0010203909 Insulating Ring HV Cable
BRDEFL		0010203503 Wire Band 98/2.5 Natural
BRDGA		0010204105 DC Holder-S4LF-C
BRDGB		0010204105 DC Holder-S4LF-C
BRDGC		0010204105 DC Holder-S4LF-C
BRDGI		0010203313 Holder DC GBR-HBZ
BRDGS		0010203313 Holder DC GBR-HBZ
BRDG1		0010204006 Wire Band 370/3,6 Natural
BRDG2		0010203503 Wire Band 98/2.5 Natural
BRFH		0200099406 Wire HOLDING HOOK G
BRSPK1		0010203503 Wire Band 98/2.5 Natural
BRSPK2		0010203503 Wire Band 98/2.5 Natural
CN_FAF		0330272303 Connector Assy W/LEAD 110+5+5
CN_FB1		0330271701 2P Connector W/LEADS 630+33 MM
CN_FB2		0330270901 2P Connector W/LEADS 770+33 MM
CN_FE	△	0330162918 Power Cord Assy L=2500 MM
CN_FF1		0330272402 Connector Assy W/LEAD 500mm.
CN_FF2		0330272501 Connector Assy W/LEAD 500mm.
CN_FT1		0160202404 Wire Red + BLACK 210/4/33
CN_FT2		0160202503 Wire Yellow + BLACK 210/4/33
CSPK3		0250248317 Electrolytic N.P. 2,2μF 50V
CSPK4		0250248317 Electrolytic N.P. 2,2μF 50V
LDG	△	0090257908 Degaussing Coil 28"
L1250		0090259003 Cancellor Coil 192 MM Diameter

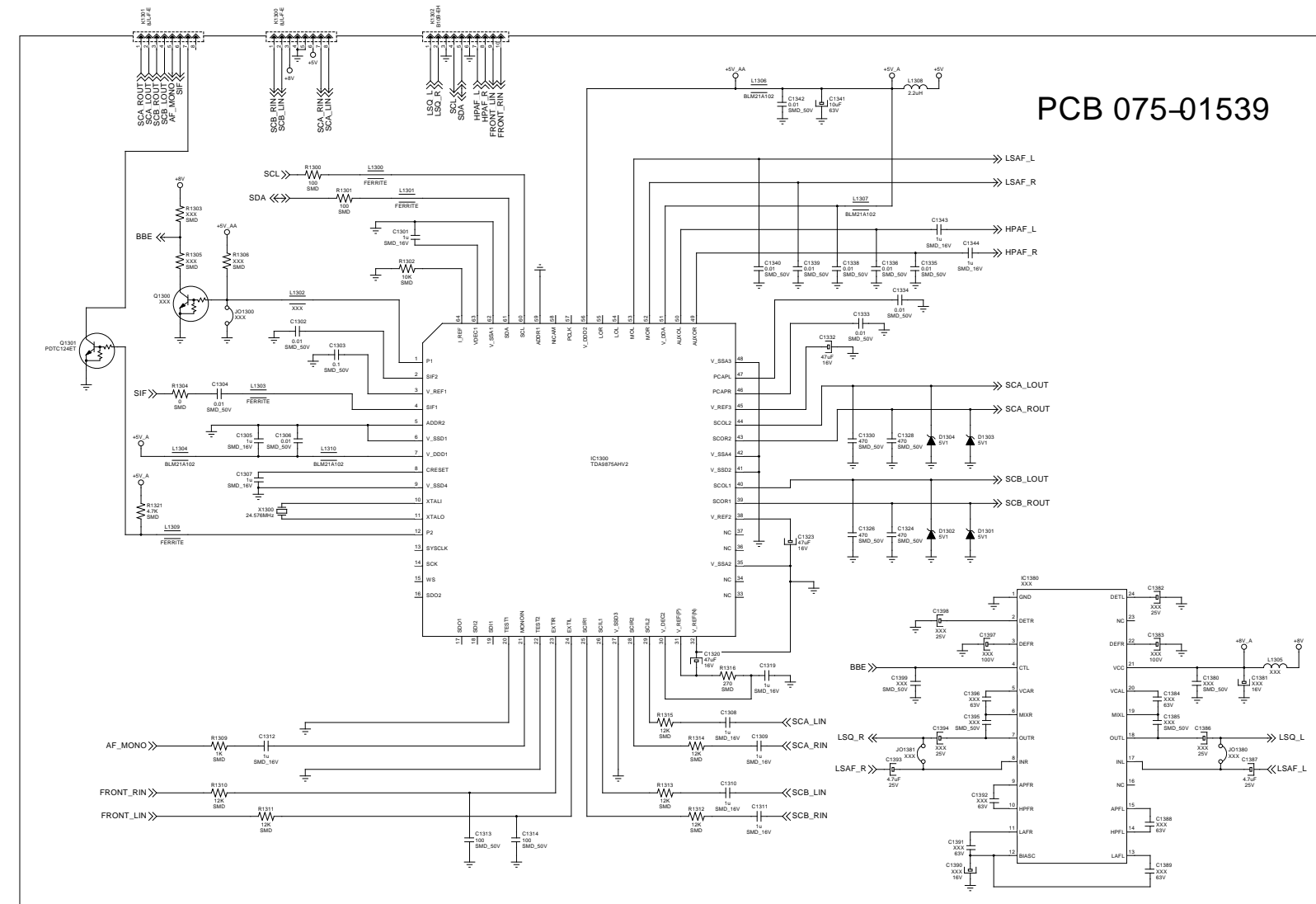
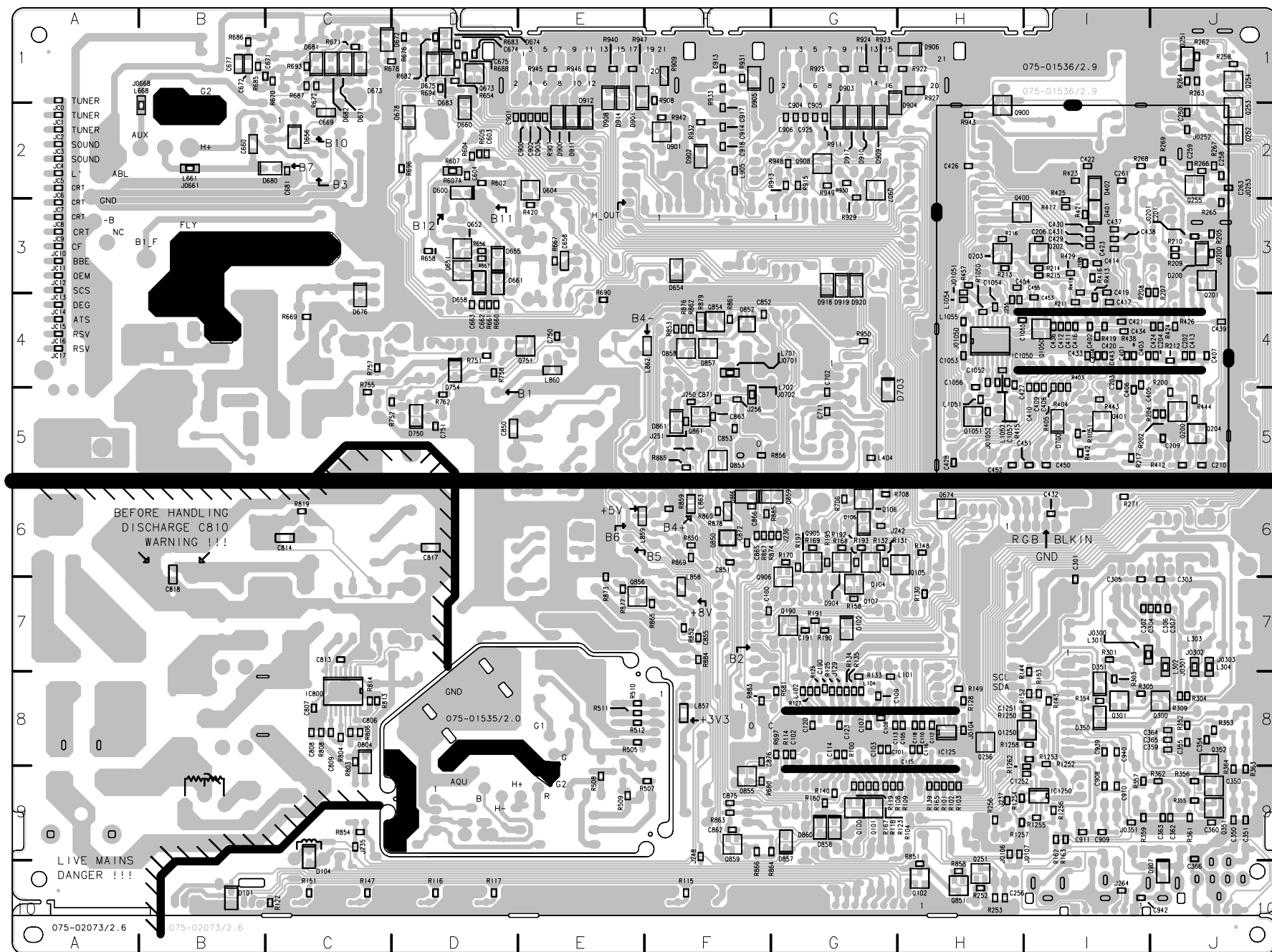
Ref. No.	Part No.	Description
PMAT	0970806907	Silicon Grease KS-650N
SC001	0170200406	Shield Mesh 2 mm.
SC1001	0010110708	Grounding Spring
SPK1	0030118418	Speaker 8 Ω 12W. 120X60
SPK2	0030118418	Speaker 8 Ω 12W. 120X60
SPK3	0030118608	Speaker Dome Tweeter 8 Ω 10W
SPK4	0030118608	Speaker Dome Tweeter 8 Ω 10W
TRC	△	1000109700 C.R.T. 29" A68ERF001X013 PHILIPS

PACKING

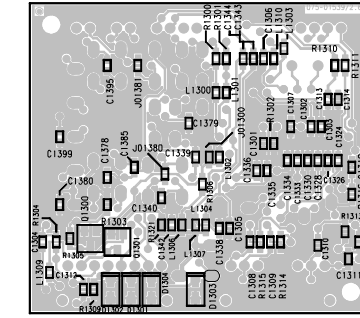
BAT	0660100611	2 Dry Battery PACK 1,5V. SUM-3F/2S
EM 1	0190206409	Packing Cartoon 29" FLAT
EM 2	0190162008	Upper Cushion Assy 29" FLAT
EM 3	0190162107	Bottom Cushion Assy 29" FLAT
EM 7	△	0420246118 Instruction Manual 21"/29" FLAT (GB, F, D)
EM 7-1	△	0420246316 Instruction Manual 21" FLAT (GR, HL, I)
EM 7-2	△	0420246415 Instruction Manual 21"/29" FLAT (SF, S, DK)
EM 8	0010101905	Staple 7/8 21 mm.
EM10	0600123707	Remote Control EC7-B EB5-C-B
EM11	0010716116	Holder RC GBR-BLFAF

Note: All the information of this manual is correct in the beginning of the series; SANYO España, S.A. reserves the right to modify components and procedures to maintain its policy of continuous improvement.

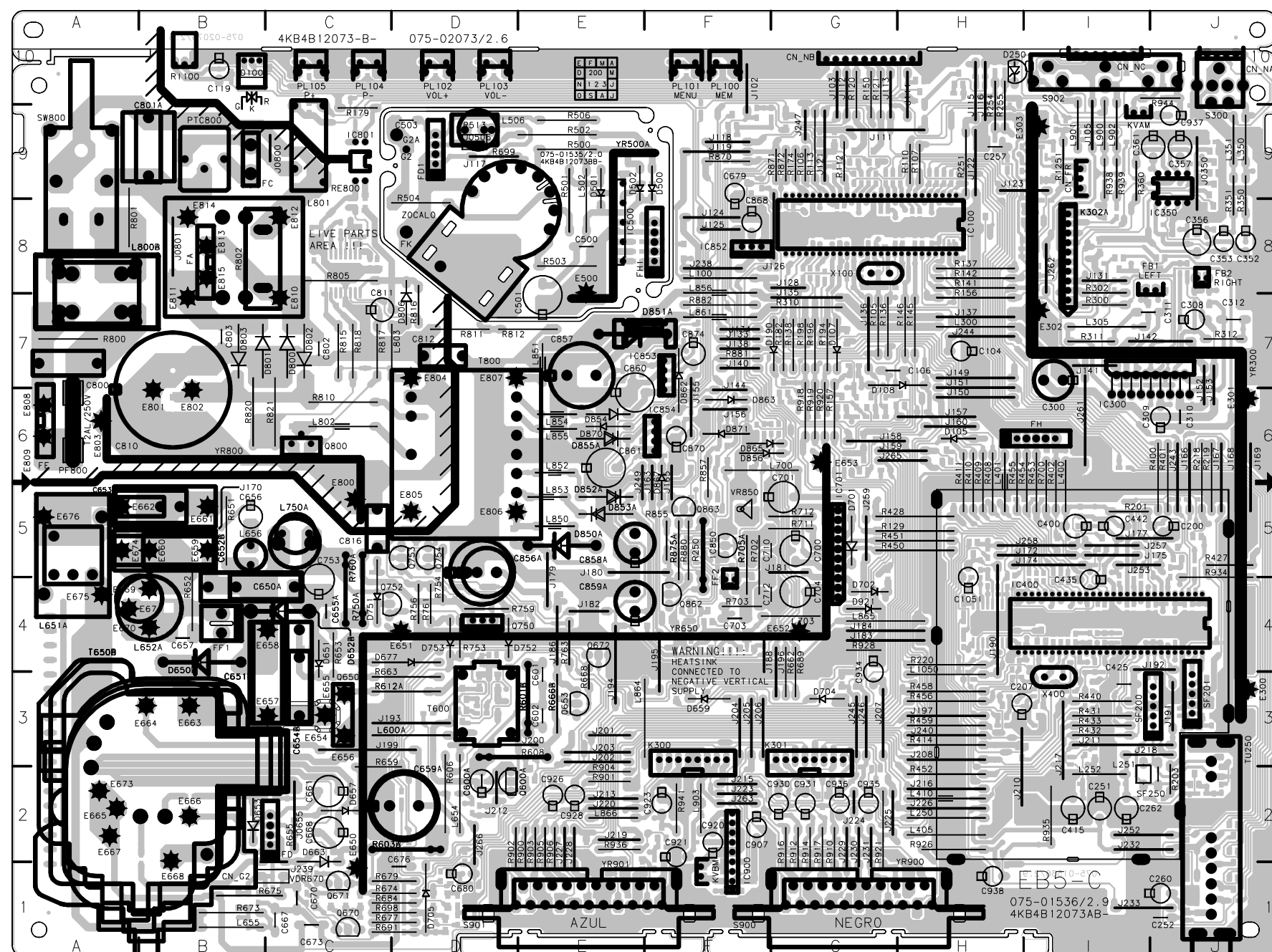
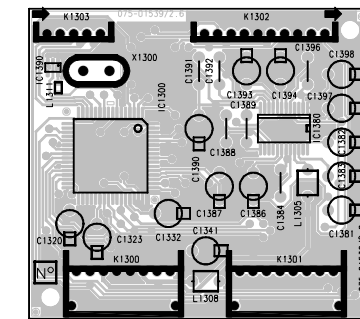
SANYO

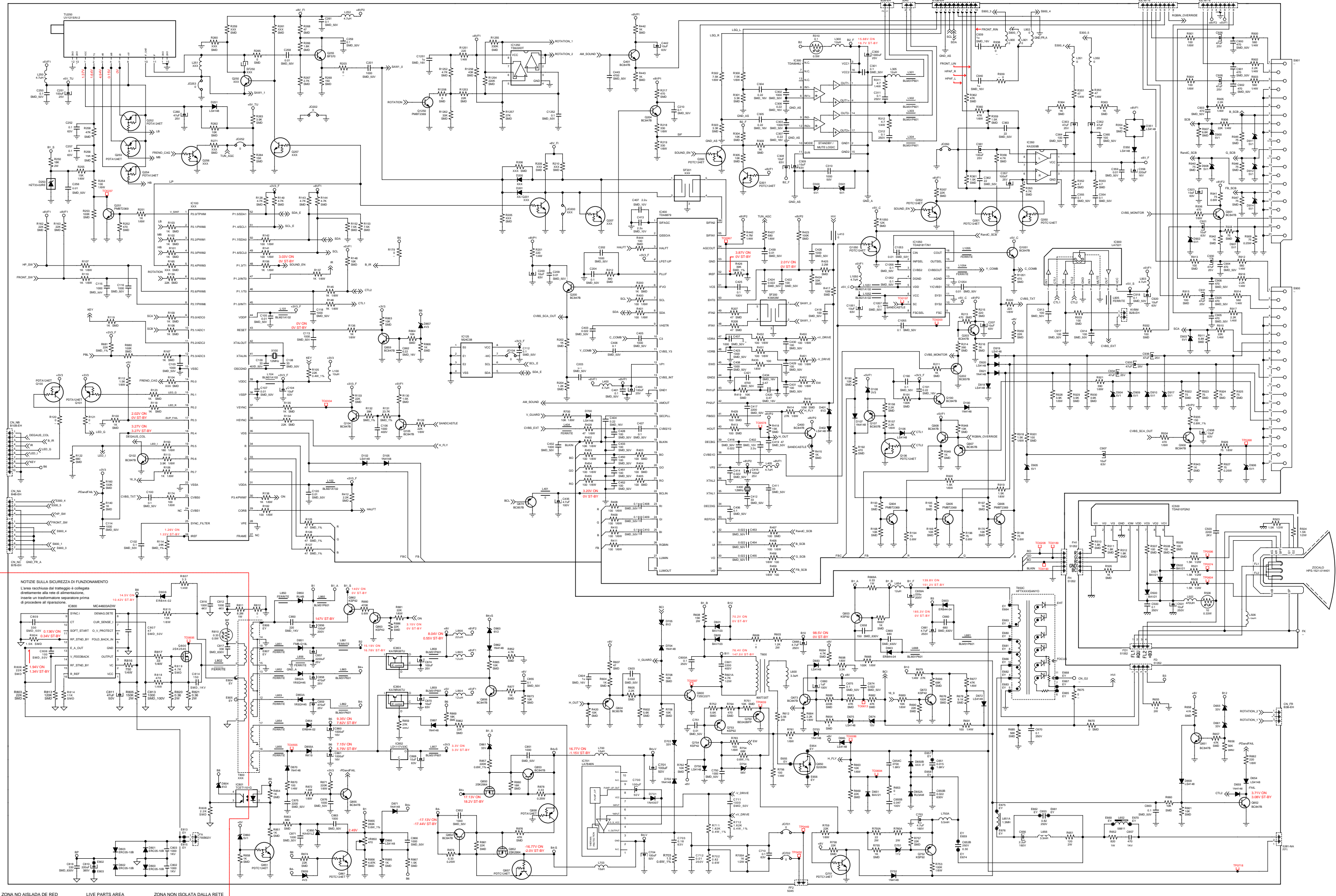
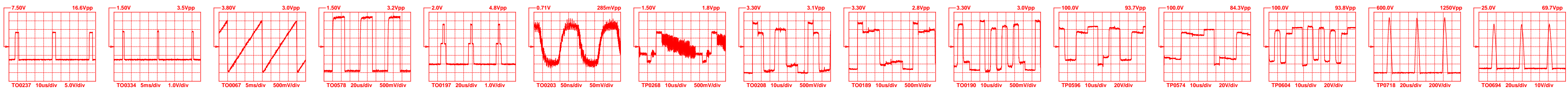


P.C.B CIRCUITO AUDIO CARA SOLDADURAS
AUDIO P.C.B. SOLDER SIDE
P.C.B PANNELLO AUDIO LATO SOLDATURE

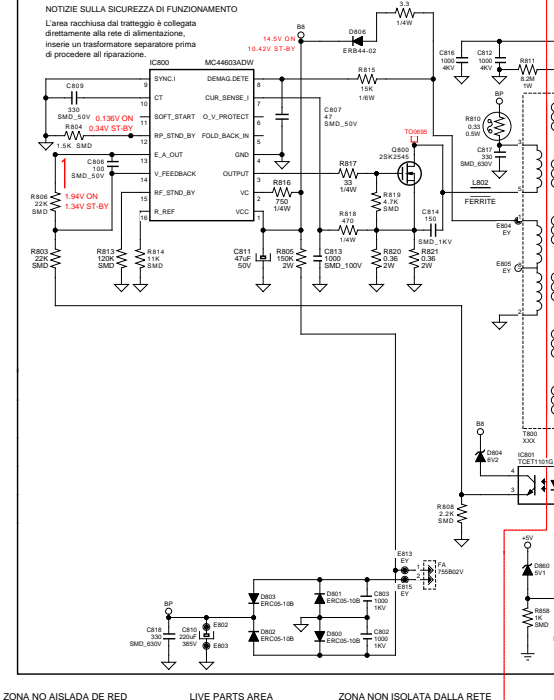
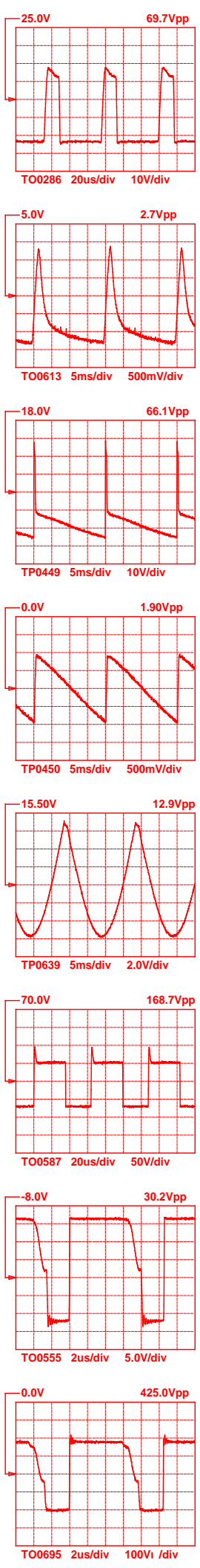


P.C.B CIRCUITO AUDIO CARA COMPONENTES
AUDIO P.C.B. COMPONENTS SIDE
P.C.B PANNELLO AUDIO LATO COMPONENTI





POSICION	00-03846/0 CE29FFV1 TRC PHILIPS - A6BERF001X013	00-03857/0 CE29FFV1-F TRC PHILIPS - A6BERF001X013
D200	0	LS4148
D201	0	LS4148
IC100	SAA5563	SAA5564
JO200	0	
JO201	0	
L251	1uH	0.39uH
Q201		PDTC124ET
Q207		PDTC124ET
Q250		BC847B
Q256	PDTC124ET	PDTC124ET
R104	1K	
R165		1K
R205		1K
R206	0	
R209		1K
R210		1K
R259		2.7K
R260		1K
R261		10K
R271	3.3K	
SF201	K9356M	K9456M
SF250		MKT40.4MA110P
B1	140.0V	140.0V



ZONA NO AISLADA DE RED LIVE PARTS AREA ZONA NON ISOLATA DALLA RETE

WARNING !!! DO NOT JOIN THE INPUT POWER LINE TO GROUND THROUGH THE OSCILLOSCOPE
 PRECAUCIÓN !!! AISLAR MASA DEL OSCILOSCOPIO
 AVVERTENZA !!! ISOLARE LA MASA DELL'OSCILLOSCOPIO

SANYO
 COLOUR TELEVISION 29" TXT
 Models: **CE29FFV1**
CE29FFV1-F
 Chassis: 2114 (Series EB5-C)

NOTA DE CUMPLIMIENTO DE NORMAS

Quando se sustituye cualquier componente del receptor TV hay que consultar la lista de componentes del Manual de Servicio, y todos los componentes que están indicados con * o ! deben ser sustituidos por recambios originales SANYO.

- ATENCIÓN este televisor contiene elementos especialmente sensibles a la electricidad estática (ESD). Recomendamos que se realice la manipulación de circuitos integrados y semiconductores con las debidas precauciones.
- NOTAS:
 1.- Los valores de las resistencias están expresados en ohms K=1.000, M=1.000.000.
 2.- Los valores de los condensadores menores de 1 están expresados en uF, los valores mayores de 1 están expresados en pF.
 3.- Toda la información de este esquema es correcta en el inicio de la serie: SANYO se reserva el derecho de modificarlo para mantener su política de mejora continua.
 4.- Las medidas de tensiones y oscilogramas se han efectuado con el TV sintonizado en el canal-21, ajustes normalizados e imagen con carta de barras de color.

COMPLIANCE TO STANDARDS

When any TV receptor component is substituted, it is necessary to check the list of components in the Service Manual and all of those marked with * or ! must be replaced with original spare SANYO parts.

- WARNING! This TV set contains components that are particularly sensitive to static electricity (ESD). It is recommended that all due precaution be taken particularly sensitive handling integrated circuits and semiconductors.
- NOTES:
 1.- Resistor values are expressed in Ohm K=1000, M=1000000.
 2.- Capacitor values lower than 1 are expressed in uF and values higher than 1 are expressed in pF.
 3.- The information in this scheme is correct at the beginning of the series; SANYO reserves the right to modify this in accordance with on-going product improvement policy.
 4.- The measurements of voltages and oscillograms were carried out with a TV set tuned to channel-21, normal adjustments and colour bar pattern.

NOTA SUL RISPETTO DELLE NORME

Quando si sostituisce qualsiasi componente del ricevitore TV si deve consultare l'elenco dei componenti nel Manuale per la Manutenzione. Tutti i componenti contrassegnati con * o ! devono essere sostituiti con ricambi originali SANYO.

- ATTENZIONE! Questo televisore contiene elementi specialmente sensibili all'elettricità statica (ESD). Consigliamo di realizzare gli interventi sui circuiti integrati e sui semiconduttori con le dovute precauzioni.
- NOTE:
 1.- Tutti i valori delle resistenze sono in OHM, K=1.000, M=1.000.000.
 2.- I valori di capacità indicati con un numero minori di 1 sono in uF maggiori di 1 sono in pF.
 3.- Tutte le informazioni di questo schema sono corrette all'inizio della serie. Seguendo la propria politica di continuo miglioramento dei propri prodotti, la SANYO si riserva il diritto di apportare modifiche senza preavviso.
 4.- Le misure di tensione e gli oscillogrammi sono stati effettuati con la TV sintonizzata sul canale 21, regolazioni normalizzate e immagine del monoscopio.

