

A

B

C

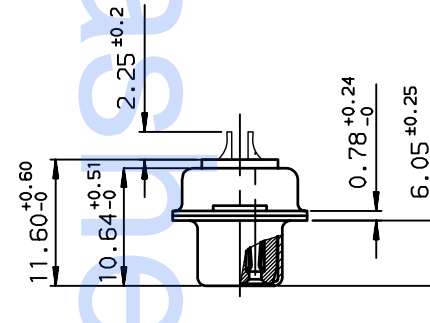
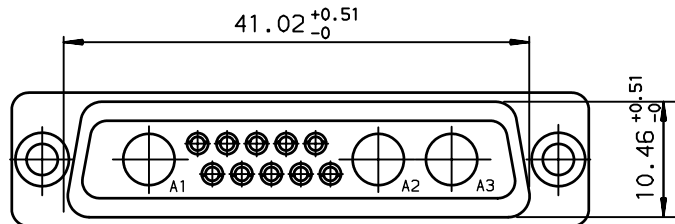
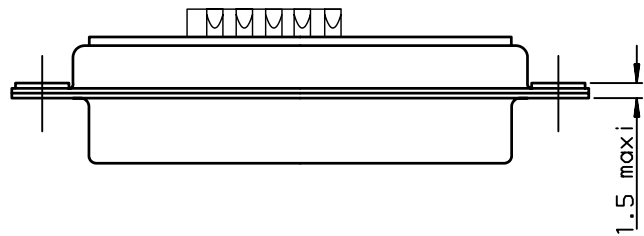
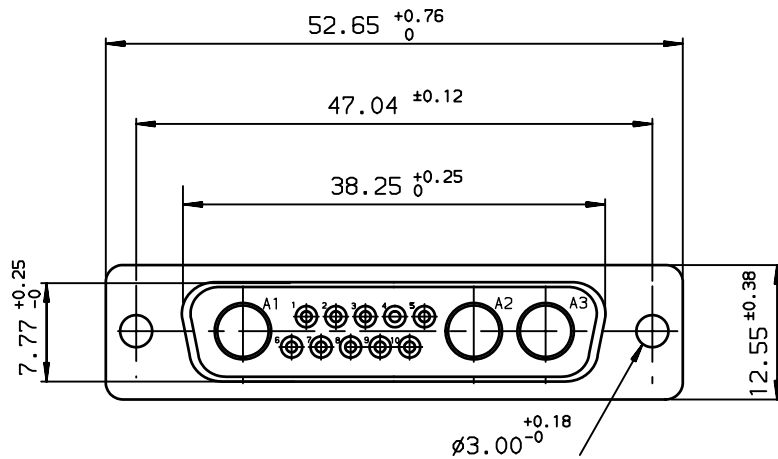
D

A

B

C

D



TIN LEAD PART NUMBER

DB13W3SA00
PART NUMBER

LEAD FREE PART NUMBER

DB13W3SA00LF
PART NUMBER

GENERAL CHARACTERISTICS AND ROHS INFORMATIONS:  
SEE DRAWING C01-8639-0003

European Views

rev	ecn no	dr	date
D	-	BAR	2003/10/28
E	LS05-005	MPE	2005/03/16
F	LS06-0095	LGO	2006/07/19
-	-	-	-
-	-	-	-
-	-	-	-

www.fciconnect.com		surface ISO 1302 <input checked="" type="checkbox"/>	tolerance std ISO 406 ISO 1101	projection 	mm
TOLERANCES UNLESS OTHERWISE SPECIFIED					
Dr	JARRY	1995/01/23	ANGULAR	0.X ±0.1	size A3
Eng	PESSON	1995/01/23	LINEAR	0.XX ±0.1	Scale 2
Chr	LEGARE	1995/01/23	0.XX' ±2'	0.XXX ±0.1	ECN LS06-0095
Appr	LEGARE	1995/01/23	Product family	D-SUB	Spec ref -
		SOCKET CONNECTOR MARK 1 WITH 10		dwg no	C01-8639-0568
		SOLDER CONTACTS		Rev.	F
catalog no				CUSTOMER	sheet 1 of 1



Copyright FCI.