

# ON SEMICONDUCTOR Transistors

ON Semiconductor®



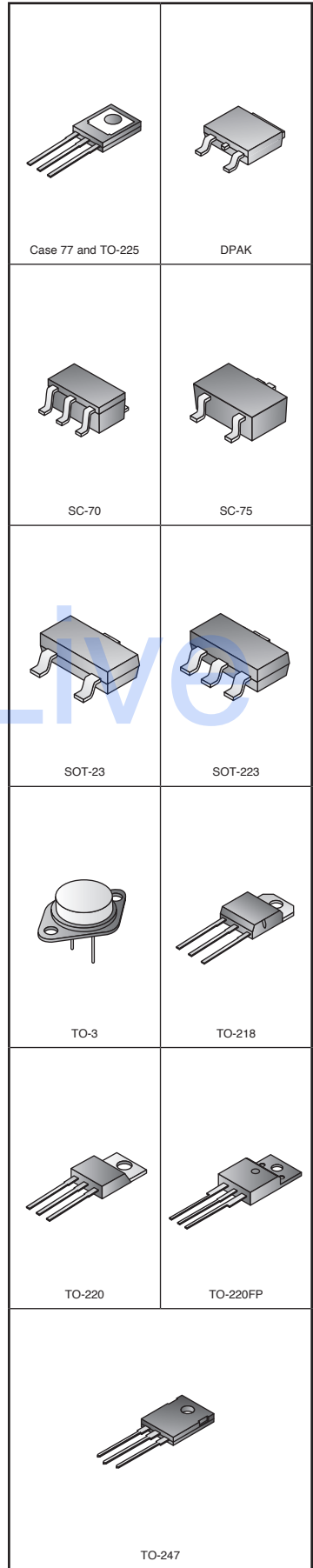
RoHS Compliant This page of product is RoHS compliant.

## GENERAL PURPOSE BIPOLAR TRANSISTORS (CONT.)

◆ Surface Mount Device

For quantities greater than listed, call for quote.

MOUSER STOCK NO.	ON Semi Part No.	Package	VCEO Max. (V)	IC Max. (A)	hFE		Price Each			
					Min.	Max.	1	10	100	1000
NPN (Cont.)										
863-MJE3055TG	MJE3055TG	TO-220	60	10	20	100	.96	.748	.483	.386
863-D44H8G	D44H8G	TO-220	60	10	40	-	.92	.788	.605	.422
863-2N3055G	2N3055G	TO-3	60	15	20	70	2.34	1.89	1.51	1.09
863-TIP3055G	TIP3055G	TO-218	60	15	20	70	1.65	1.40	1.12	.815
◆ 863-BC846ALT1G	BC846ALT1G	SOT-23	65	0.1	110	220	.12	.104	.037	.025
◆ 863-BC846BLT1G	BC846BLT1G	SOT-23	65	0.1	200	450	.12	.104	.037	.025
◆ 863-BC846BWT1G	BC846BWT1G	SC-70	65	0.1	200	450	.16	.136	.048	.033
863-2N6292G	2N6292G	TO-220	70	7	30	150	.82	.704	.54	.377
◆ 863-MMBT8099LT1G	MMBT8099LT1G	SOT-23	80	0.5	100	300	.23	.159	.066	.045
◆ 863-MMBTA06LT1G	MMBTA06LT1G	SOT-23	80	0.5	100	-	.19	.165	.058	.04
863-TIP31BG	TIP31BG	TO-220	80	3	10	50	.59	.491	.317	.253
863-MJE182G	MJE182G	Case 77	80	3	50	250	.61	.458	.288	.216
◆ 863-MJD44H11G	MJD44H11G	DPAK	80	8	60	-	.68	.509	.32	.24
863-D44H11G	D44H11G	TO-220	80	10	60	-	.92	.788	.605	.422
863-MJF44H11G	MJF44H11G	TO-220FP	80	10	60	-	1.59	1.35	1.08	.784
863-2N6488G	2N6488G	TO-220	80	15	20	150	.93	.749	.575	.401
863-D44VH10G	D44VH10G	TO-220	80	15	20	-	.92	.788	.605	.422
863-2N5038G	2N5038G	TO-3	90	20	20	100	9.24	8.35	6.92	5.07
863-TIP29CG	TIP29CG	TO-220	100	1	15	75	.62	.515	.314	.243
◆ 863-MJD31CG	MJD31CG	DPAK	100	3	10	50	.45	.374	.228	.176
863-TIP31CG	TIP31CG	TO-220	100	3	10	50	.54	.449	.274	.212
863-MJE243G	MJE243G	Case 77	100	4	40	180	.62	.516	.314	.243
863-TIP41CG	TIP41CG	TO-220	100	6	15	75	.62	.518	.334	.268
863-2N3773G	2N3773G	TO-3	140	16	15	60	3.93	3.15	2.87	1.95
863-MJF15030G	MJF15030G	TO-220FP	150	8	20	-	1.67	1.35	1.08	.784
◆ 863-MMBT5551LT1G	MMBT5551LT1G	SOT-23	160	0.06	80	250	.18	.17	.06	.04
◆ 863-MMBTA42LT1G	MMBTA42LT1G	SOT-23	200	0.05	40	-	.19	.165	.058	.04
863-BU406G	BU406G	TO-220	200	7	-	-	1.22	1.04	.80	.558
863-2N5655G	2N5655G	Case 77	250	0.5	30	250	.64	.535	.326	.252
863-TIP47G	TIP47G	TO-220	250	1	30	150	.69	.577	.373	.298
863-MJF47G	MJF47G	TO-220FP	250	1	30	150	1.35	1.15	.89	.621
◆ 863-MMBTA42LT3G	MMBTA42LT3G	SOT-23	300	0.05	25	-	.19	.165	.058	.04
◆ 863-PZTA42T1G	PZTA42T1G	SOT-223	300	0.05	25	-	.51	.299	.141	.109
863-TIP48G	TIP48G	TO-220	300	1	30	150	.69	.577	.373	.298
863-MJE3439G	MJE3439G	TO-225	350	0.3	15	200	.59	.497	.303	.234
863-2N5657G	2N5657G	Case 77	350	0.5	30	250	.64	.535	.326	.252
863-TIP50G	TIP50G	TO-220	400	1	30	150	.69	.577	.373	.298
863-BUL45D2G	BUL45D2G	TO-220	400	5	22	34	1.08	.929	.713	.498
863-MJE13007G	MJE13007G	TO-220	400	8	8	40	.91	.732	.562	.392
863-BUX85G	BUX85G	TO-220	450	2	30	-	.82	.685	.442	.354
863-MJE18004G	MJE18004G	TO-220	450	5	14	34	.92	.788	.605	.422
863-MJE18008G	MJE18008G	TO-220	450	8	14	34	1.54	1.23	.951	.663
863-MJW18020G	MJW18020G	TO-247	450	30	14	34	6.77	6.12	5.07	3.83
PNP										
◆ 863-MMBT4126LT1G	MMBT4126LT1G	SOT-23	-25	-0.2	120	300	.16	.153	.054	.036
◆ 863-BC858BLT1G	BC858BLT1G	SOT-23	-30	-0.1	220	475	.12	.108	.038	.026
◆ 863-BC858CLT1G	BC858CLT1G	SOT-23	-30	-0.1	420	800	.13	.115	.04	.028
863-2N6111G	2N6111G	TO-220	-30	-7	30	150	.86	.717	.462	.37
◆ 863-MMBT3906LT1G	MMBT3906LT1G	SOT-23	-40	-0.2	100	300	.10	.093	.033	.022
◆ 863-MMBT3906TT1G	MMBT3906TT1G	SC-75	-40	-0.2	100	300	.14	.13	.046	.03
◆ 863-MMBT3906WT1G	MMBT3906WT1G	SC-70	-40	-0.2	100	300	.15	.14	.049	.033
◆ 863-NJT4030PT1G	NJT4030PT1G	SOT-223	-40	-3	200	400	.57	.38	.212	.154
863-TIP42G	TIP42G	TO-220	-40	-6	15	75	.65	.547	.353	.282
◆ 863-BC857BLT1G	BC857BLT1G	SOT-23	-45	-0.1	220	475	.12	.108	.038	.026
◆ 863-BC807-16LT1G	BC807-16LT1G	SOT-23	-45	-0.5	100	250	.13	.117	.041	.028
◆ 863-BCX17LT1G	BCX17LT1G	SOT-23	-45	-0.5	100	600	.21	.141	.059	.04
◆ 863-BC807-25LT1G	BC807-25LT1G	SOT-23	-45	-0.5	160	400	.13	.117	.041	.028
◆ 863-BC807-40LT1G	BC807-40LT1G	SOT-23	-45	-0.5	250	600	.13	.117	.041	.028
◆ 863-2SA1774G	2SA1774G	SC-75	-50	-0.1	120	560	.14	.133	.047	.031
863-2N6109G	2N6109G	TO-220	-50	-7	30	150	.86	.717	.462	.37
◆ 863-MMBTA55LT1G	MMBTA55LT1G	SOT-23	-60	-0.5	100	-	.21	.178	.063	.043
◆ 863-MMBT2907ALT1G	MMBT2907ALT1G	SOT-23	-60	-0.6	50	300	.10	.09	.032	.021
◆ 863-MMBT2907AWT1G	MMBT2907AWT1G	SC-70	-60	-0.6	50	-	.15	.14	.049	.033
◆ 863-PZT2907AT1G	PZT2907AT1G	SOT-223	-60	-0.6	100	300	.41	.292	.134	.103
863-TIP32AG	TIP32AG	TO-220	-60	-3	10	50	.52	.431	.263	.203
◆ 863-MJD2955G	MJD2955G	DPAK	-60	-10	20	100	.66	.55	.355	.284
863-MJE2955TG	MJE2955TG	TO-220	-60	-10	20	100	.90	.748	.483	.386
863-TIP2955G	TIP2955G	TO-218	-60	-15	20	70	1.69	1.43	1.15	.834
◆ 863-BC856ALT1G	BC856ALT1G	SOT-23	-65	-0.1	125	250	.12	.108	.038	.026
◆ 863-BC856BLT1G	BC856BLT1G	SOT-23	-65	-0.1	220	475	.12	.108	.038	.026
863-2N6107G	2N6107G	TO-220	-70	-7	30	150	.86	.717	.462	.37
◆ 863-MMBTA56LT1G	MMBTA56LT1G	SOT-23	-80	-0.5	100	-	.19	.165	.058	.04
863-MJE172G	MJE172G	TO-225	-80	-3	50	250	.61	.458	.288	.216
863-2N5195G	2N5195G	TO-225	-80	-4	20	80	.67	.563	.363	.291
◆ 863-MJD45H11G	MJD45H11G	DPAK	-80	-8	60	-	.64	.534	.325	.251
863-D45H11G	D45H11G	TO-220	-80	-10	40	-	.92	.788	.605	.422
863-MJF45H11G	MJF45H11G	TO-220FP	-80	-10	40	-	1.52	1.29	1.03	.75
863-2N6491G	2N6491G	TO-220	-80	-15	20	150	.87	.743	.57	.398
863-D45VH10G	D45VH10G	TO-220	-80	-15	20	-	.92	.788	.605	.422
863-TIP30CG	TIP30CG	TO-220	-100	-1	15	75	.54	.449	.274	.212
◆ 863-MJD32CG	MJD32CG	DPAK	-100	-3	10	50	.49	.409	.25	.193
863-TIP32CG	TIP32CG	TO-220	-100	-3	10	50	.55	.412	.259	.194
863-MJE253G	MJE253G	TO-225	-100	-4	40	180	.62	.516	.314	.243
863-TIP42CG	TIP42CG	TO-220	-100	-6	15	75	.63	.531	.343	.274
863-MJF15031G	MJF15031G	TO-220FP	-150	-8	40	-	1.70	1.45	1.16	.841
◆ 863-MMBTA92LT1G	MMBTA92LT1G	SOT-23	-300	-0.05	25	-	.20	.175	.062	.042
◆ 863-PZTA92T1G	PZTA92T1G	SOT-223	-300	-0.05	25	-	.51	.299	.141	.109
863-MJE5730G	MJE5730G	TO-220	-300	-1	30	150	1.18	1.01	.778	.543
863-MJE5850G	MJE5850G	TO-220	-300	-8	15	-	2.99	2.41	1.93	1.39
◆ 863-MMBT6520LT1G	MMBT6520LT1G	SOT-23	-350	-0.5	20	200	.34	.221	.095	.073
863-MJE5851G	MJE5851G	TO-220	-350	-8	15	-	2.83	2.41	1.93	1.39
863-MJE5852G	MJE5852G	TO-220	-400	-8	15	-	2.99	2.41	1.93	1.39



Transistors ON Semiconductor