

**SMD TYPE**

Power Inductor

SHD115 TYPE

FEATURES

- Tolerance of inductance
2.7~470uH±20%
- Low profile: 5.0mm
- Suitable for SMD automachine & reflow soldering
- Suitable for the large current application

APPLICATIONS

- Notebook computers & PDAs
- Battery powered equipment
- DC/DC converters
- Scanners, CD-ROMs & DVDs

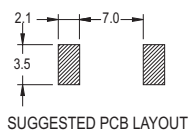
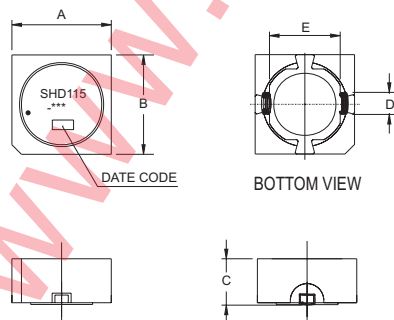


AT 25°C: 100KHz, 0.1V

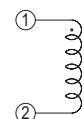
PART NO.	Inductance (uH) ±20%	DCR (Ω) MAX	Isat (Amperes)
SHD115-2R7	2.7	0.018	3.00
SHD115-100	10	0.05	2.40
SHD115-120	12	0.054	2.30
SHD115-150	15	0.061	2.00
SHD115-180	18	0.084	1.80
SHD115-220	22	0.094	1.70
SHD115-270	27	0.11	1.50
SHD115-330	33	0.15	1.40
SHD115-390	39	0.17	1.20
SHD115-470	47	0.21	1.10
SHD115-560	56	0.23	1.00
SHD115-680	68	0.26	0.93
SHD115-820	82	0.36	0.84
SHD115-101	100	0.41	0.76
SHD115-121	120	0.45	0.70
SHD115-151	150	0.64	0.63
SHD115-181	180	0.84	0.57
SHD115-221	220	0.96	0.52
SHD115-271	270	1.07	0.47
SHD115-331	330	1.37	0.43
SHD115-391	390	1.55	0.39
SHD115-471	470	1.74	0.36

Note. Isat indicates the value of current when the inductance is 15% lower than its initial value or temperature rising ΔT=45°C, depending on whichever is lower.

MECHANICAL CONSTRUCTION



SCHEMATICS



UNIT: mm / inch
 A = 10.60 ± 0.254 / 0.417 ± 0.010
 B = 10.60 ± 0.254 / 0.417 ± 0.010
 C = 5.00 ± 0.254 / 0.197 ± 0.010
 D = 2.50 / 0.098 REF
 E = 7.40 ± 0.127 / 0.291 ± 0.05

DELTA ELECTRONICS, INC.

(TAOYUAN PLANT CPBG) 252, SHANG YING ROAD, KUEI SAN, TAOYUAN HSIEN 333, TAIWAN, R.O.C.
 TEL: 886-3-3591968; FAX: 886-3-3591991
<http://www.deltaww.com/products/networking/power.htm>