

## Quad high-side smart power solid-state relay

### Features

Type	$V_{\text{demag}}^{(1)}$	$R_{\text{Dson}}^{(1)}$	$I_{\text{out}}^{(1)}$	$V_{\text{CC}}$
VNI4140K	$V_{\text{CC}}-41 \text{ V}$	$0.08 \Omega$	0.7 A	41 V

1. Per channel

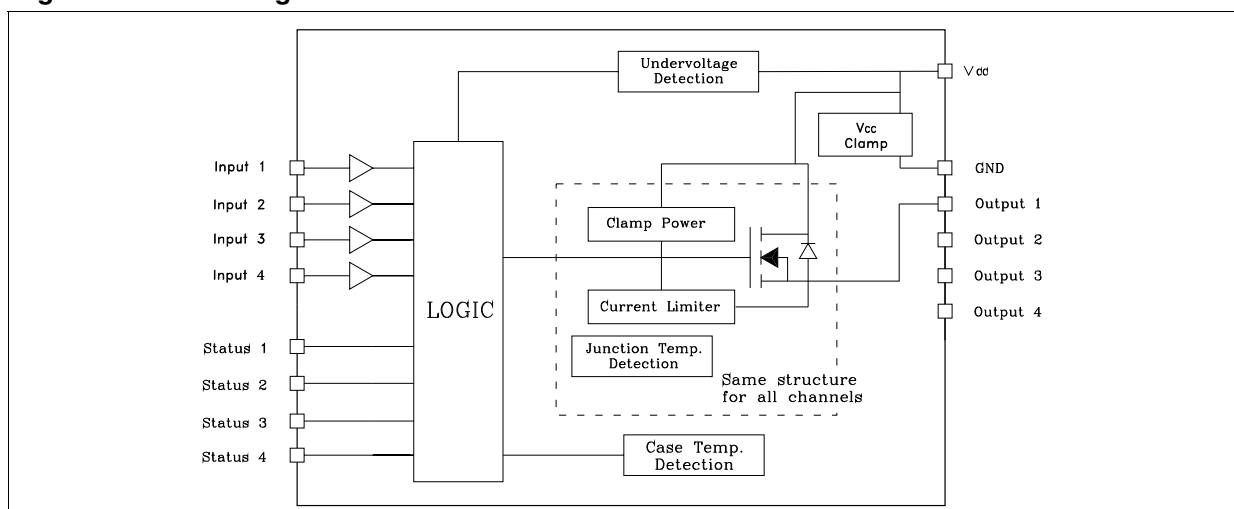
- Output current: 0.7 A per channel
- Shorted load protections
- Junction overtemperature protection
- Case overtemperature protection for thermal independence of the channels
- Thermal case shutdown restart not simultaneous for the various channels
- Protection against loss of ground
- Current limitation
- Undervoltage shutdown
- Open drain diagnostic outputs
- 3.3 V CMOS/TTL compatible inputs
- Fast demagnetization of inductive loads
- Conforms to IEC 61131-2
- ESD according to IEC 61000-4-2 up to +/- 25 KV



### Description

The VNI4140K is a monolithic device made using STMicroelectronics VIPower technology, intended for driving four independent resistive or inductive loads with one side connected to ground. Active current limitation avoids dropping the system power supply in case of shorted load. Built-in thermal shutdown protects the chip from overtemperature and short circuit. In overload condition, channel turns OFF and back ON automatically so as to maintain junction temperature between  $T_{\text{TSD}}$  and  $T_{\text{R}}$ . If this condition makes case temperature reach  $T_{\text{CSD}}$ , overloaded channel is turned OFF and will restart only when case temperature has decreased down to  $T_{\text{CR}}$ . In case of more than one channel in overload, re-start of the overloaded channels will not be simultaneous, in order to avoid high peak current from the supply. Non overloaded channels continue to operate normally. The open drain diagnostics outputs indicates overtemperature conditions.

Figure 1. Block diagram



# Contents

<b>1</b>	<b>Pin connection</b> .....	<b>3</b>
<b>2</b>	<b>Maximum ratings</b> .....	<b>5</b>
	2.1 Thermal data .....	5
<b>3</b>	<b>Electrical characteristics</b> .....	<b>6</b>
<b>4</b>	<b>Truth table</b> .....	<b>9</b>
<b>5</b>	<b>Typical application circuit</b> .....	<b>9</b>
<b>6</b>	<b>Switching waveforms</b> .....	<b>11</b>
<b>7</b>	<b>Pin functions</b> .....	<b>12</b>
<b>8</b>	<b>Package and PC board thermal data</b> .....	<b>14</b>
	8.1 VNI4140K thermal data .....	14
<b>9</b>	<b>Reverse polarity protection</b> .....	<b>16</b>
<b>10</b>	<b>Package mechanical data</b> .....	<b>17</b>
<b>11</b>	<b>Order codes</b> .....	<b>22</b>
<b>12</b>	<b>Revision history</b> .....	<b>23</b>

# 1 Pin connection

Figure 2. Pin connection (top view)

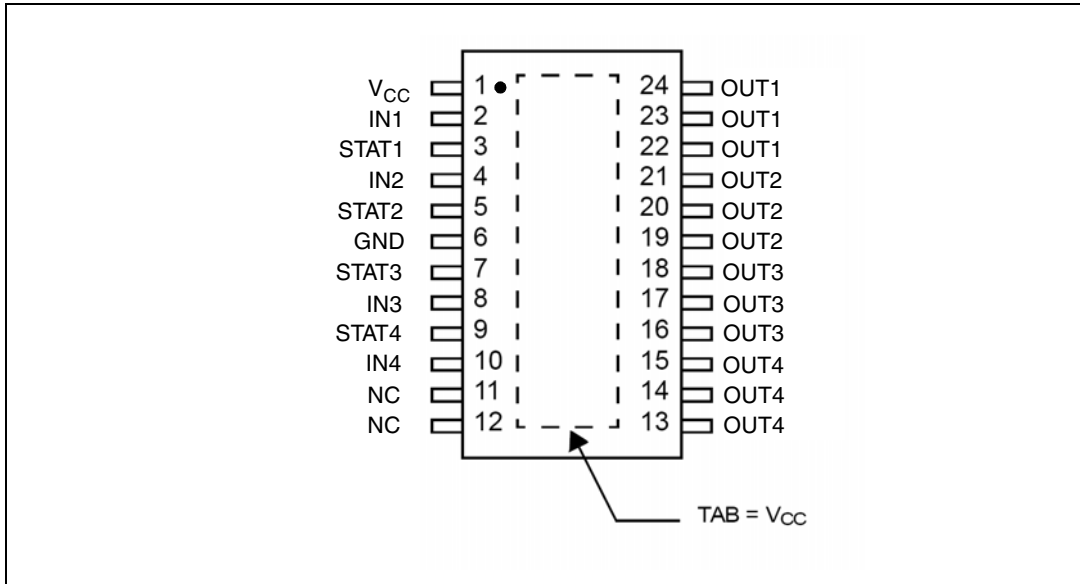


Table 1. Pin description

Pin	Name	Description
Tab	TAB	Exposed tab internally connected to Vcc
1	Vcc	Supply voltage
2	IN1	Channel 1 input 3.3 V CMOS/TTL compatible
3	STAT1	Channel 1 status in open drain configuration
4	IN2	Channel 2 input 3.3 V CMOS/TTL compatible
5	STA2	Channel 2 status in open drain configuration
6	GND	Device ground connection
7	STAT3	Channel 3 status in open drain configuration
8	IN3	Channel 3 input 3.3 V CMOS/TTL compatible
9	STAT4	Channel 4 status in open drain configuration
10	IN4	Channel 4 input 3.3 V CMOS/TTL compatible
11	NC	
12	NC	
13	OUT4	Channel 4 power stage output, internally protected
14	OUT4	Channel 4 power stage output, internally protected
15	OUT4	Channel 4 power stage output, internally protected
16	OUT3	Channel 3 power stage output, internally protected
17	OUT3	Channel 3 power stage output, internally protected

**Table 1. Pin description (continued)**

<b>Pin</b>	<b>Name</b>	<b>Description</b>
18	OUT3	Channel 3 power stage output, internally protected
19	OUT2	Channel 2 power stage output, internally protected
20	OUT2	Channel 2 power stage output, internally protected
21	OUT2	Channel 2 power stage output, internally protected
22	OUT1	Channel 1 power stage output, internally protected
23	OUT1	Channel 1 power stage output, internally protected
24	OUT1	Channel 1 power stage output, internally protected

## 2 Maximum ratings

**Table 2. Absolute maximum rating**

Symbol	Parameter	Value	Unit
$V_{CC}$	Power supply voltage	41	V
$-V_{CC}$	Reverse supply voltage	-0.3	V
$I_{GND}$	DC ground reverse current	-250	mA
$I_{OUT}$	Output current (continuous)	Internally limited	A
$I_R$	Reverse output current (per channel)	-5	A
$I_{IN}$	Input current (per channel)	$\pm 10$	mA
$V_{IN}$	Input voltage	$+V_{CC}$	V
$V_{STAT}$	Status pin voltage	$+V_{CC}$	V
$I_{STAT}$	Status pin current	$\pm 10$	mA
$V_{ESD}$	Electrostatic discharge (R = 1.5 k $\Omega$ C = 100 pF)	2000	V
$E_{AS}$	Single pulse avalanche energy per channel not simultaneously	300	mJ
$P_{TOT}$	Power dissipation at $T_c = 25\text{ }^\circ\text{C}$	Internally limited	W
$T_J$	Junction operating temperature	Internally limited	$^\circ\text{C}$
$T_{STG}$	Storage temperature	-55 to 150	$^\circ\text{C}$

### 2.1 Thermal data

**Table 3. Thermal data**

Symbol	Parameter	Value	Unit
$R_{th(JC)}$	Thermal resistance junction-case <sup>(1)</sup>	Max 2	$^\circ\text{C}/\text{W}$
$R_{th(JA)}$	Thermal resistance junction-ambient	Max see <a href="#">Figure 11</a>	$^\circ\text{C}/\text{W}$

1. Per channel

### 3 Electrical characteristics

10.5 V < V<sub>CC</sub> < 36 V; -25 °C < T<sub>J</sub> < 125 °C; unless otherwise specified

**Table 4. Power section**

Symbol	Parameter	Test condition	Min	Typ	Max	Unit
V <sub>CC</sub>	Supply voltage		10.5		36	V
R <sub>DS(on)</sub>	On-state resistance	I <sub>OUT</sub> = 0.5 A at T <sub>J</sub> = 25 °C I <sub>OUT</sub> = 0.5 A			0.080 0.140	Ω Ω
V <sub>clamp</sub>		I <sub>S</sub> = 20 mA	41	45	52	V
I <sub>S</sub>	Supply current	All channel in OFF state ON state with V <sub>IN</sub> = 5 V (T <sub>J</sub> = 125 °C)		250 2.4	4	μA mA
I <sub>LGND</sub>	Output current at turn-off	V <sub>CC</sub> = V <sub>STAT</sub> = V <sub>IN</sub> = V <sub>GND</sub> = 24 V, V <sub>OUT</sub> = 0 V			1	mA
V <sub>OUT(OFF)</sub>	Off state output voltage	V <sub>IN</sub> = 0 V and I <sub>OUT</sub> = 0 A			1	V
I <sub>OUT(OFF)</sub>	Off state output current	V <sub>IN</sub> = V <sub>OUT</sub> = 0 V	0		5	μA
F <sub>CP</sub>	Charge pump frequency	Channel in ON state <sup>(1)</sup>		1450		kHz

1. To cover EN55022 class A and class B normative

V<sub>CC</sub> = 24 V; -25 °C < T<sub>J</sub> < 125 °C, R<sub>L</sub> = 48 Ω, input rise time < 0.1 μs

**Table 5. Switching**

Symbol	Parameter	Min	Typ	Max	Unit
t <sub>d(ON)</sub>	Turn on delay	-	20	-	μs
t <sub>r</sub>	Rise time	-	10	-	μs
t <sub>d(OFF)</sub>	Turn off	-	30	-	μs
t <sub>f</sub>	Fall time	-	8	-	μs
dV/dt <sub>(ON)</sub>	Turn on voltage slope	-	3	-	V/μs
dV/dt <sub>(off)</sub>	Turn off voltage slope	-	4	-	V/μs

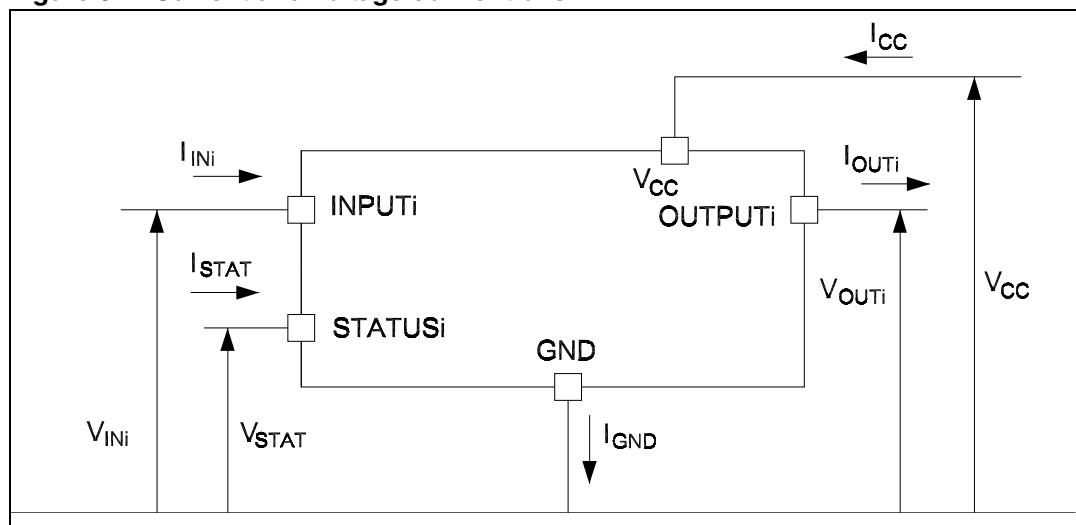
**Table 6. Logical input**

Symbol	Parameter	Test condition	Min	Typ	Max	Unit
$V_{IL}$	Input low level voltage				0.8	V
$V_{IH}$	Input high level voltage		2.20			V
$V_{I(HYST)}$	Input hysteresis voltage			0.15		V
$I_{IN}$	Input current	$V_{IN} = 15\text{ V}$			10	$\mu\text{A}$
		$V_{IN} = 36\text{ V}$			210	

**Table 7. Protection and diagnostic**

Symbol	Parameter	Test condition	Min	Typ	Max	Unit
$V_{STAT}$	Status voltage output low	$I_{STAT} = 1.6\text{ mA}$			0.6	V
$V_{USD}$	Undervoltage protection		7		10.5	V
$V_{USDHYS}$	Undervoltage hysteresis		0.4	0.5		V
$I_{LIM}$	DC short-circuit current	$V_{CC} = 24\text{ V}; R_{LOAD} < 10\text{ m}\Omega$	0.7	1	1.7	A
$I_{PEAK}$	Maximum DC output current	Dynamic load		1.3		A
Hyst	Tracking limits			0.2		A
$I_{LSTAT}$	Status leakage current	$V_{CC} = V_{STAT} = 36\text{ V}$		30		$\mu\text{A}$
$T_{TSD}$	Junction shutdown temperature		150	170	190	$^{\circ}\text{C}$
$T_R$	Junction reset temperature		135			$^{\circ}\text{C}$
$T_{HIST}$	Junction thermal hysteresis		7	15		$^{\circ}\text{C}$
$T_{CSD}$	Case shutdown temperature		125	130	135	$^{\circ}\text{C}$
$T_{CR}$	Case reset temperature		110			$^{\circ}\text{C}$
$T_{CHYST}$	Case thermal hysteresis		7	15		$^{\circ}\text{C}$
$V_{demag}$	Output voltage at turn-OFF	$I_{OUT} = 0.5\text{ A}; L_{LOAD} \geq 1\text{ mH}$	$V_{CC} - 41$	$V_{CC} - 45$	$V_{CC} - 52$	V

Figure 3. Current and voltage conventions





## 4 Truth table

Table 8. Truth table

	INPUTn	OUTPUTn	STATUSn
Normal operation	L	L	H
	H	H	H
Overtemperature	L	L	H
	H	L	L
Undervoltage	L	L	X
	H	L	X
Shorted load (Current limitation)	L	L	H
	H	X	H

## 5 Typical application circuit

Figure 4. Typical application circuit

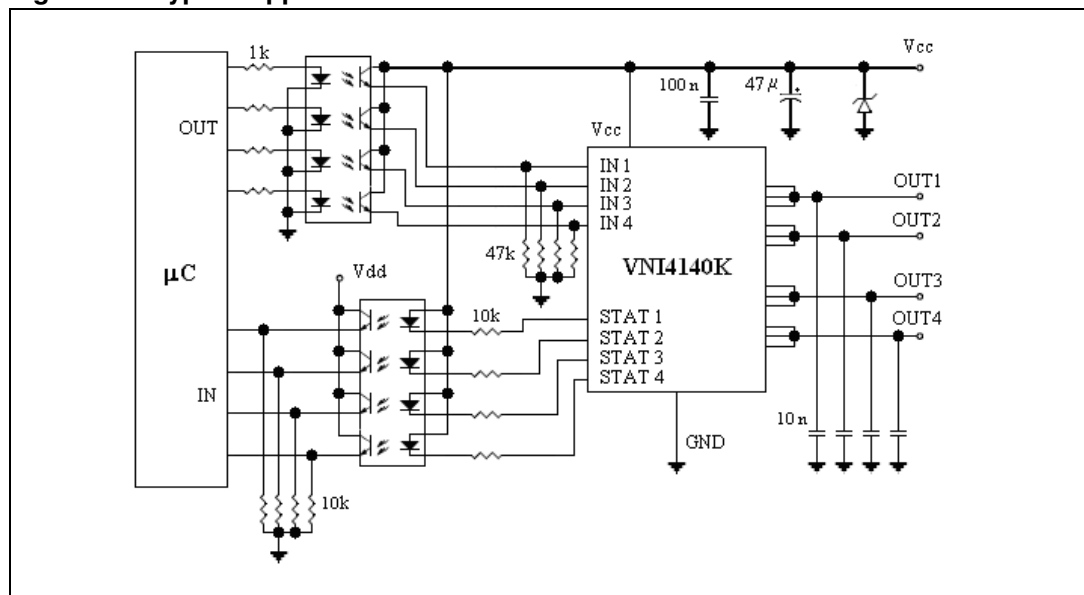
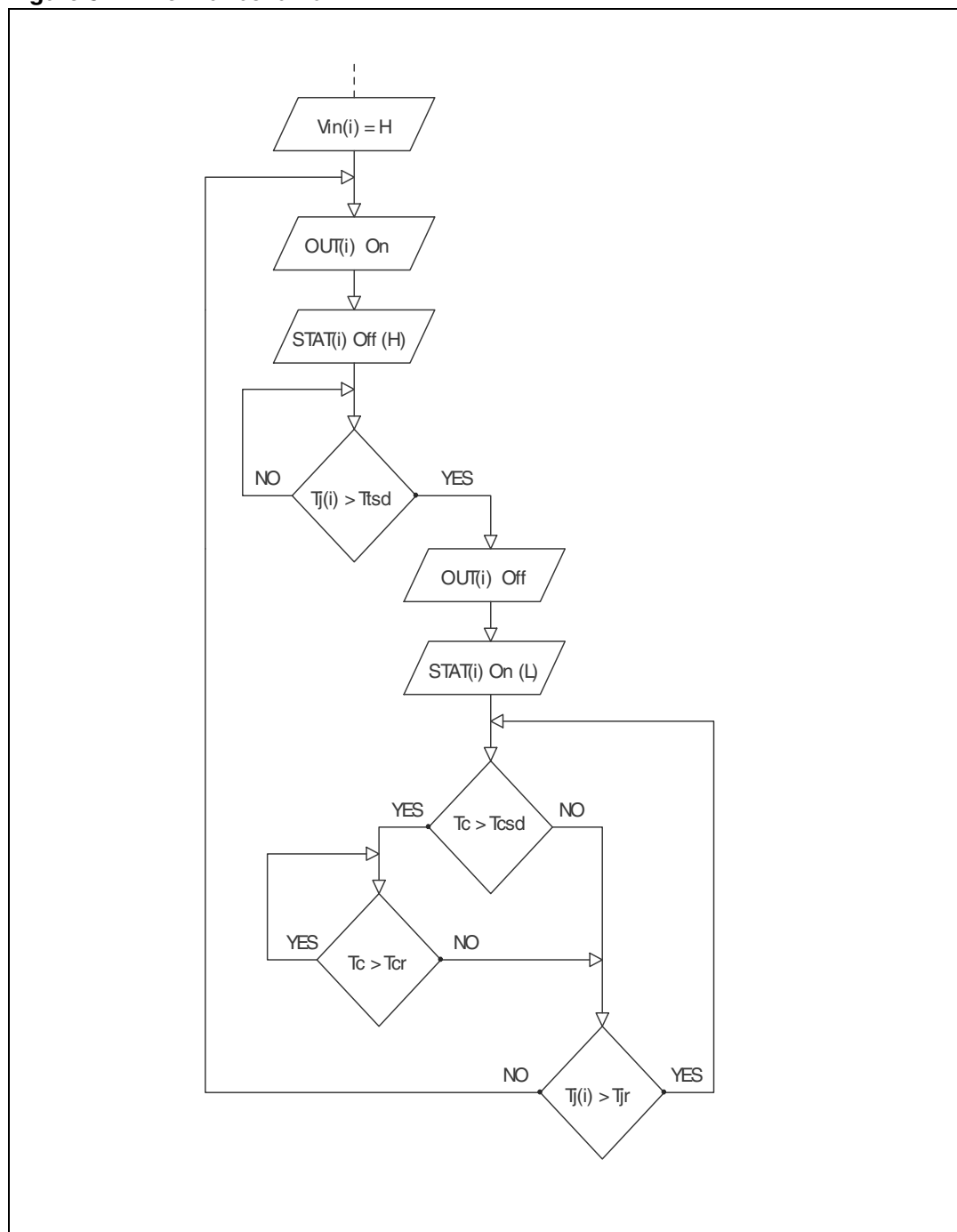
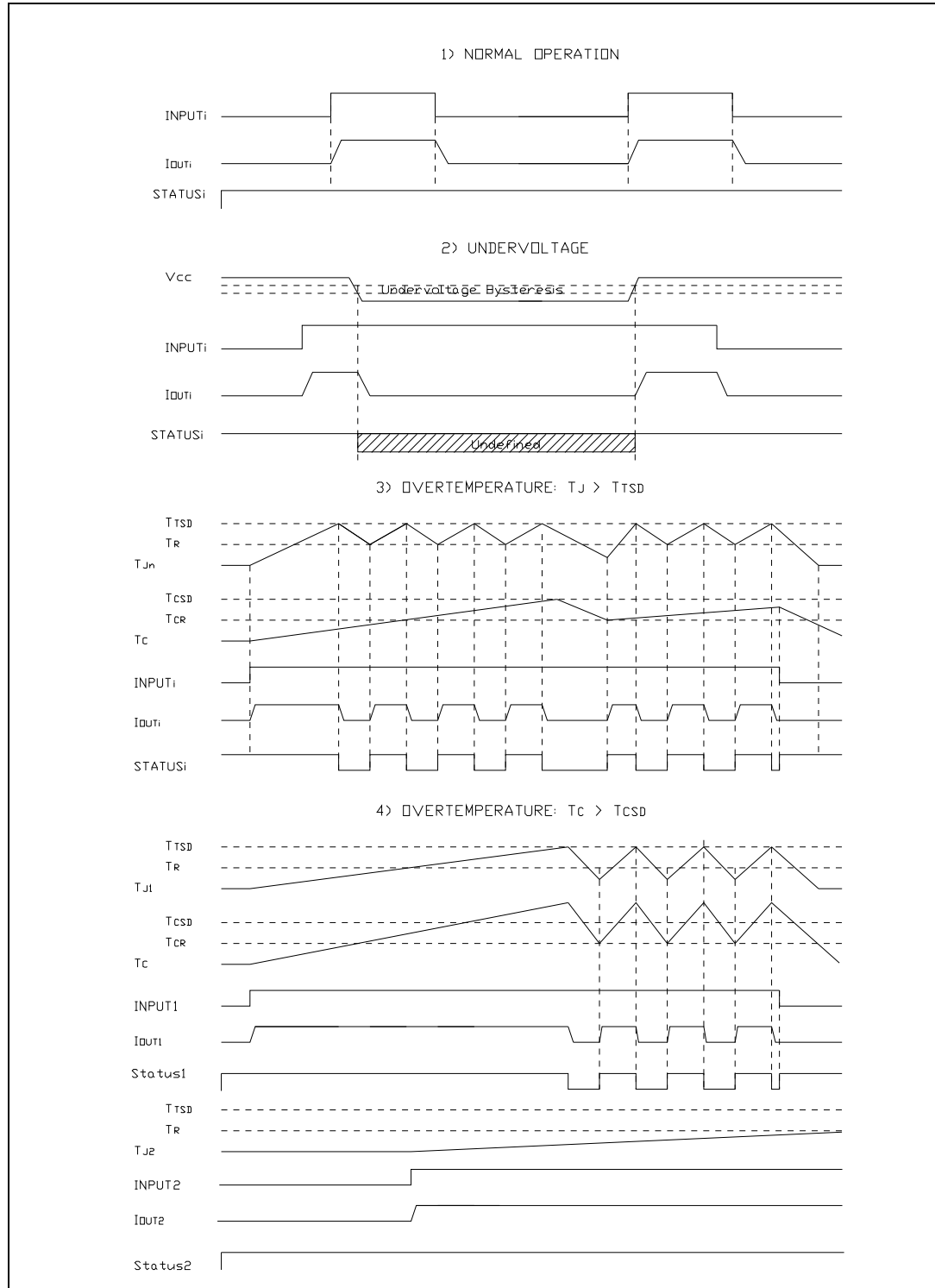


Figure 5. Thermal behavior



# 6 Switching waveforms

Figure 6. Switching waveforms



# 7 Pin functions

Figure 7. Input circuit

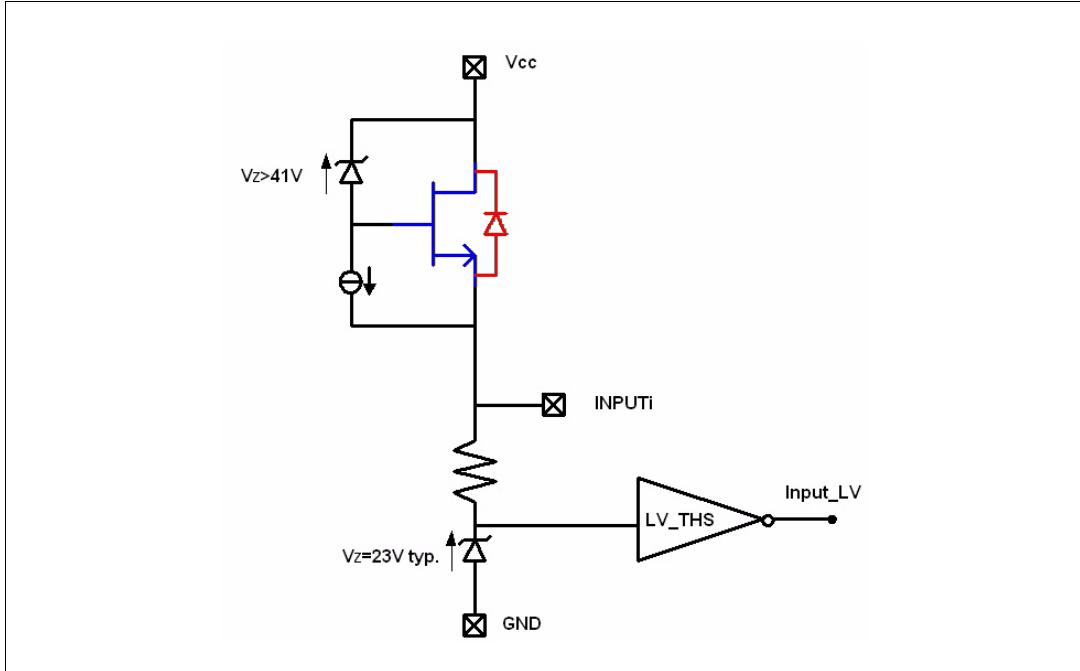


Figure 8. Status circuit

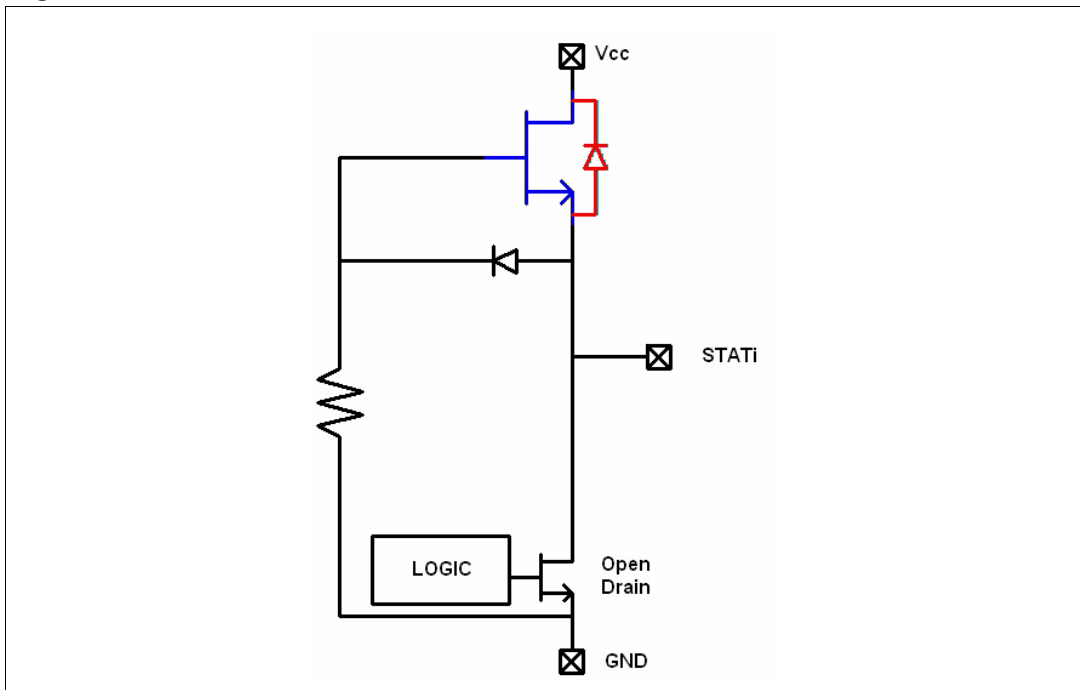
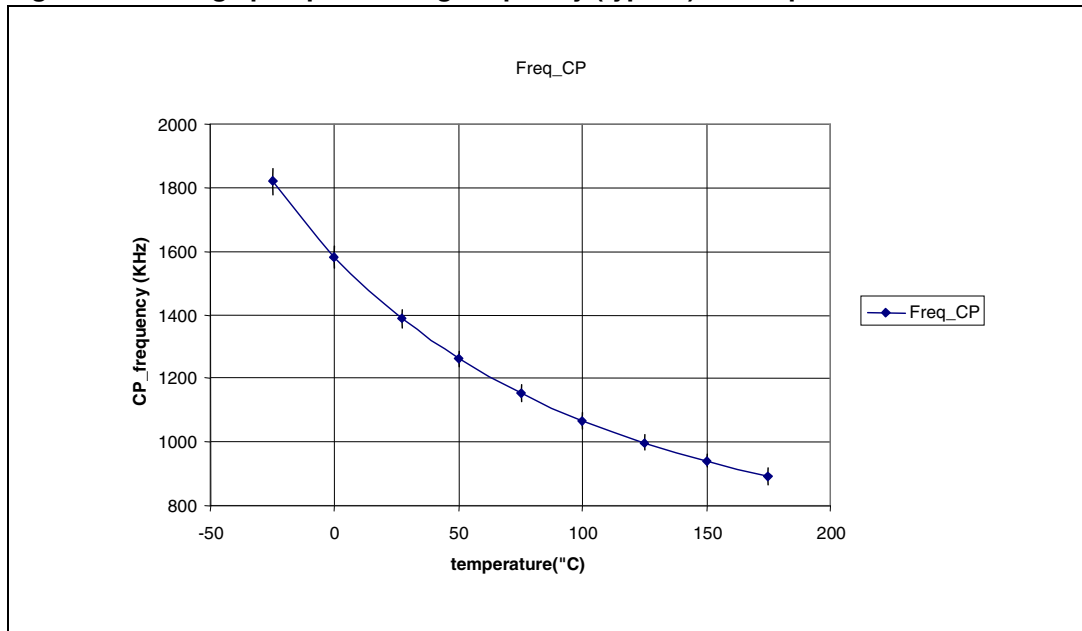


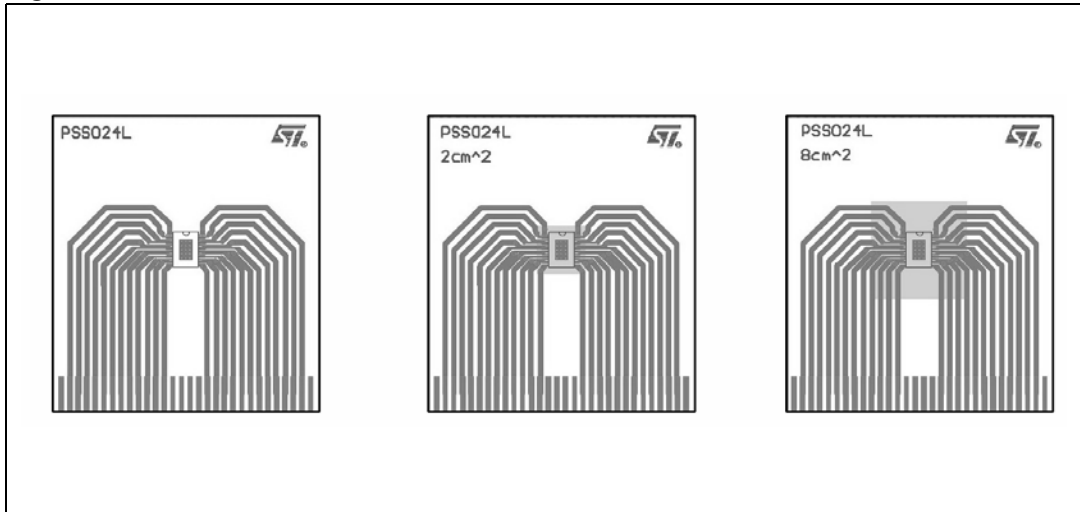
Figure 9. Charge pump switching frequency (typical) vs temperature



## 8 Package and PC board thermal data

### 8.1 VNI4140K thermal data

Figure 10. VNI4140K PC board



Note: Layout condition of  $R_{th}$  and  $Z_{th}$  measurements (PCB: Double layer, Thermal Vias, FR4 area = 77 mm x 86 mm, PCB thickness=1.6 mm, Cu thickness = 70 mm (front and back side), Copper areas: from minimum pad lay-out to 8 cm<sup>2</sup>).

Figure 11.  $R_{thJA}$  vs PCB copper area in open box free air condition (one channel ON)

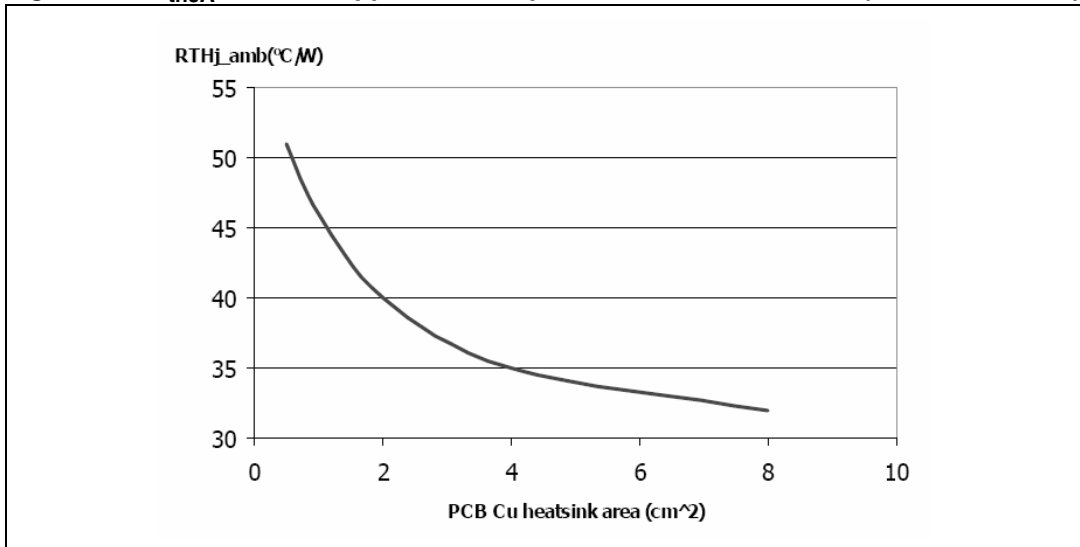
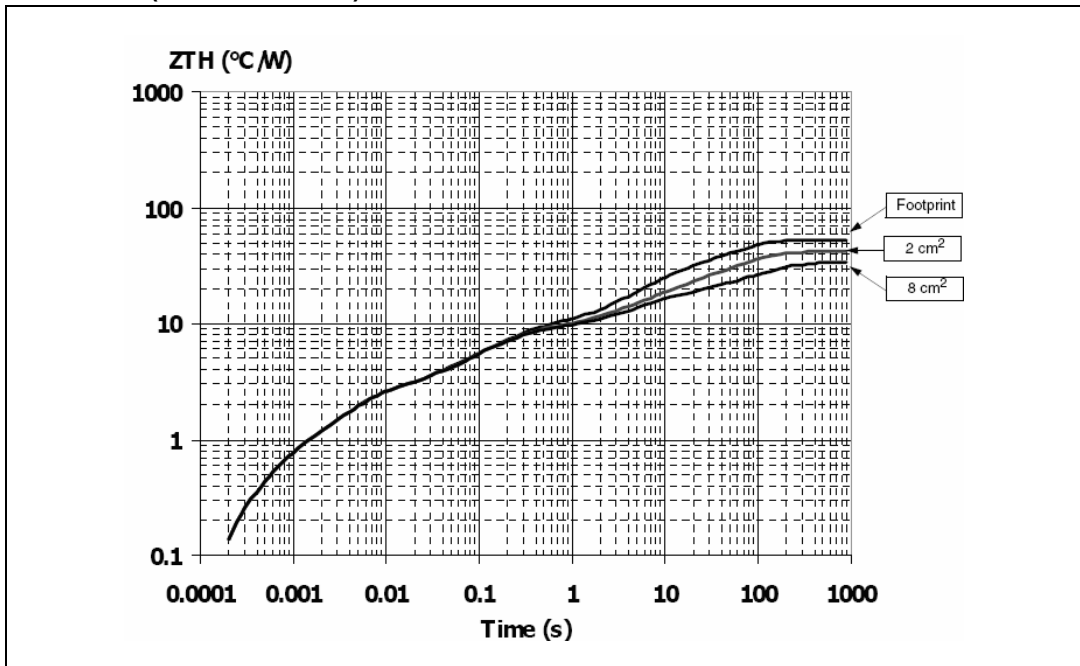


Figure 12. VNI4140K thermal impedance junction ambient single pulse (one channel on)



## 9 Reverse polarity protection

This schematic can be used with any type of load.

The following is an indication on how to dimension the  $R_{GND}$  resistor.

$$R_{GND} = (-V_{CC}) / (-I_{GND})$$

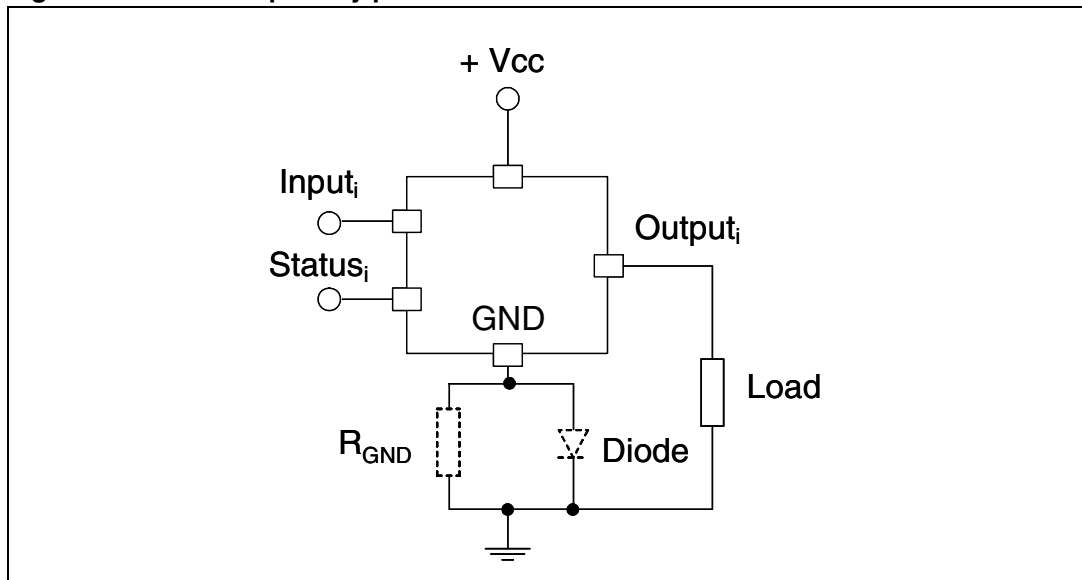
where  $-I_{GND}$  is the DC reverse ground pin current and can be found in the absolute maximum rating section of the device datasheet.

Power dissipation in  $R_{GND}$  (when  $V_{CC} < 0$ : during reverse polarity situations) is:

$$PD = (-V_{CC})^2 / R_{GND}$$

*Note:* In normal condition (no reverse polarity) due to the diode there will be a voltage drop between GND of the device and GND of the system.

**Figure 13. Reverse polarity protection**





## 10 Package mechanical data

In order to meet environmental requirements, ST offers these devices in different grades of ECOPACK<sup>®</sup> packages, depending on their level of environmental compliance. ECOPACK<sup>®</sup> specifications, grade definitions and product status are available at: [www.st.com](http://www.st.com). ECOPACK<sup>®</sup> is an ST trademark.

Table 9. PowerSSO-24™ mechanical data

Symbol	mm		
	Min.	Typ.	Max.
A	2.15		2.47
A2	2.15		2.40
a1	0		0.075
b	0.33		0.51
c	0.23		0.32
D	10.10		10.50
E	7.4		7.6
e		0.8	
e3		8.8	
G			0.1
G1			0.06
H	10.1		10.5
h			0.4
L	0.55		0.85
N			10deg
X	4.1		4.7
Y	6.5		7.1

Figure 14. PowerSSO-24™ package dimensions

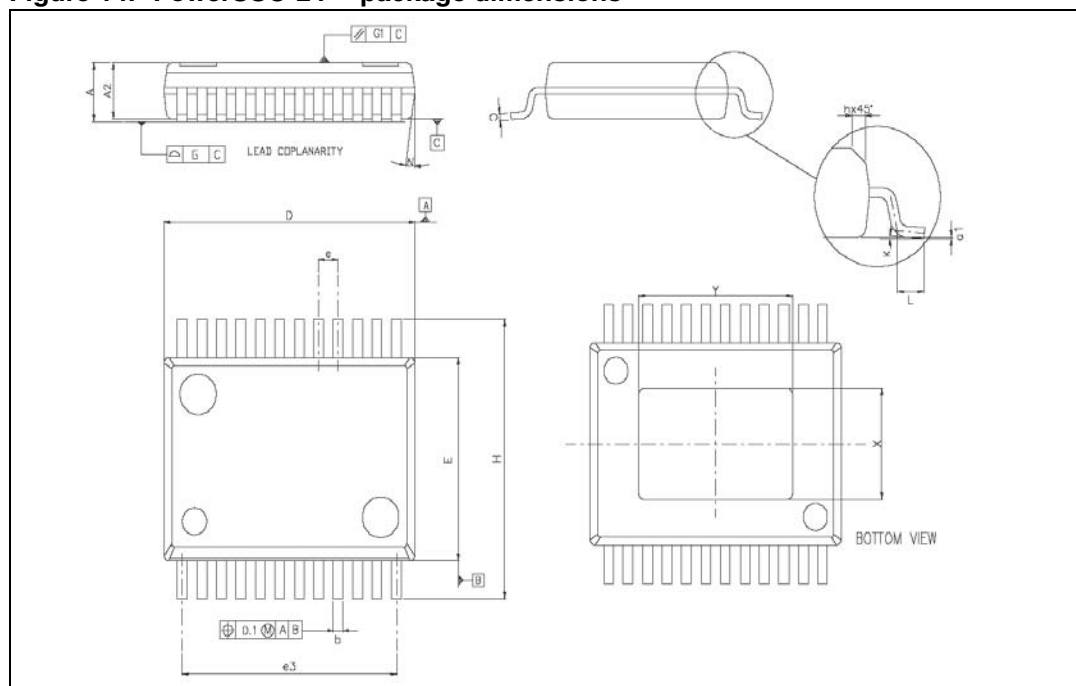


Figure 15. PowerSSO-24™ tube shipment (no suffix)

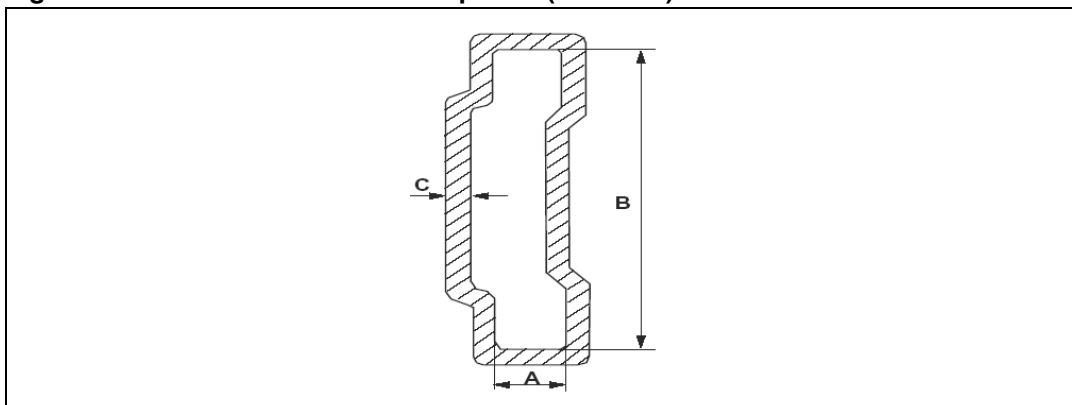


Table 10. PowerSSO-24™ tube shipment

Base quantity	49
Bulk quantity	1225
Tube length ( $\pm 0.5$ )	532
A	3.5
B	13.8
C ( $\pm 0.1$ )	0.6

Note: All dimensions are in mm.

Figure 16. PowerSSO-24™ reel shipment (suffix “TR”)

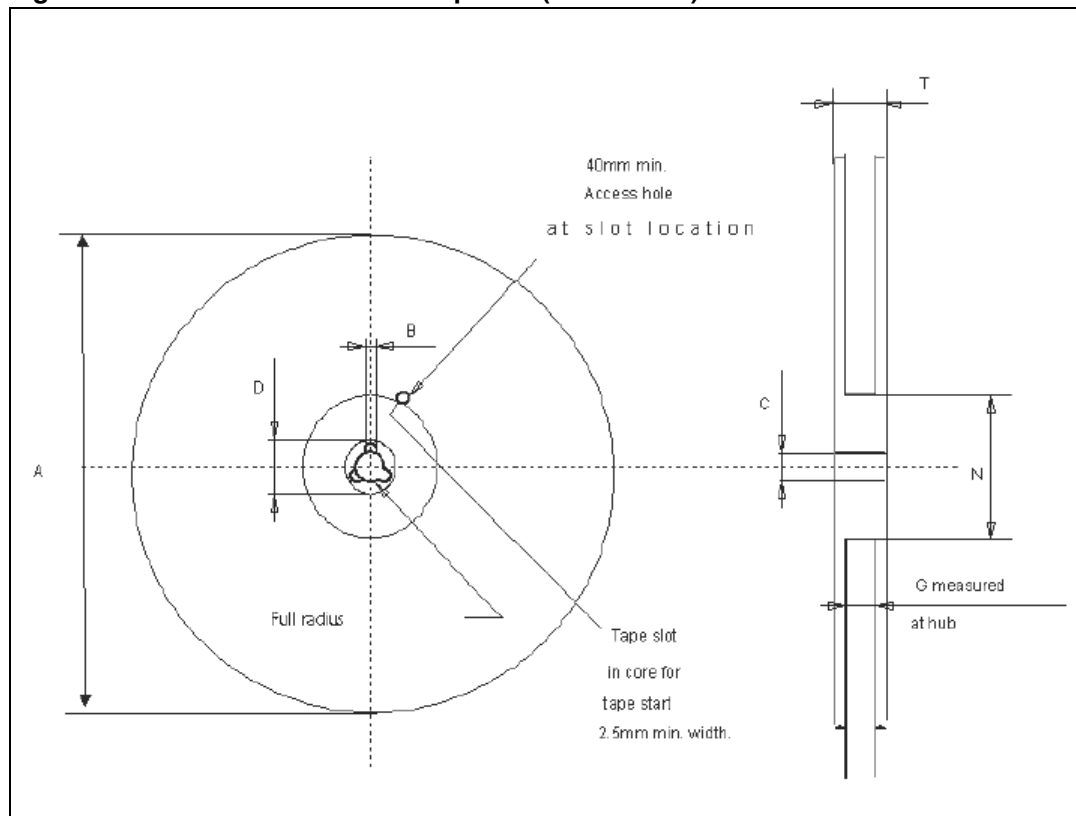


Table 11. PowerSSO-24™ reel dimensions

<b>Base quantity</b>	1000
<b>Bulk quantity</b>	1000
<b>A (max)</b>	330
<b>B (min)</b>	1.5
<b>C (± 0.2)</b>	13
<b>F</b>	20.2
<b>G (2 ± 0)</b>	24.4
<b>N (min)</b>	100
<b>T (max)</b>	30.4

Figure 17. PowerSSO-24™ tape dimensions

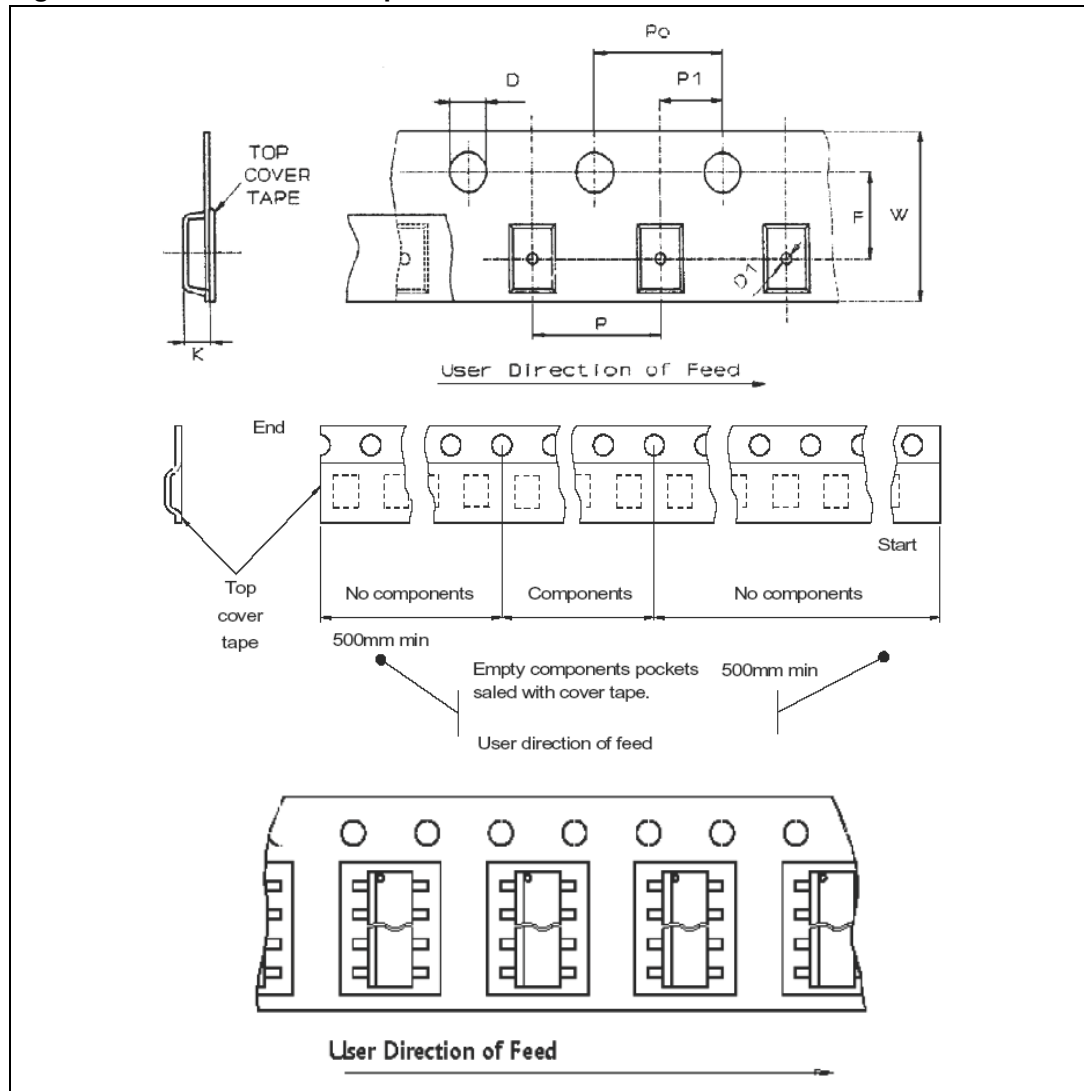


Table 12. PowerSSO-24™ tape dimensions

Tape width	W	24
Tape hole spacing	P0 (± 0.1)	4
Component spacing	P	12
Hole diameter	D (± 0.05)	1.55
Hole diameter	D1 (min)	1.5
Hole position	F (± 0.1)	11.5
Compartment depth	K (max)	2.85
Hole spacing	P1 (± 0.1)	2

Note: According to electronic industries association (EIA) Standard 481 rev. A, Feb 1986

# 11 Order codes

**Table 13. Order codes**

Order codes	Package	Packaging
VNI4140K	PowerSSO-24	Tube
VNI4140KTR	PowerSSO-24	Tape and reel

## 12 Revision history

**Table 14. Document revision history**

Date	Revision	Changes
16-Nov-2007	1	Initial release
26-Nov-2007	2	Updated electrical parameters values
08-Jul-2008	3	Inserted: <i>Figure 4 on page 9</i> and <i>Section 9: Reverse polarity protection on page 16</i>
08-Apr-2008	4	Added $I_{LGND}$ parameter in <i>Table 4 on page 6</i>
27-Aug-2009	5	Updated <i>Section 9: Reverse polarity protection</i>
09-Dec-2009	6	Added <i>Section 10: Conformity to IEC 61000-4-2 ESD immunity test</i>
15-Apr-2010	7	Updated <i>Table 5 on page 6</i>
06-Feb-2012	8	Inserted feature: Conformity to IEC 61000-4-2 ESD immunity test in cover page. Removed chapter: Conformity to IEC 61000-4-2 ESD immunity test.

**Please Read Carefully:**

Information in this document is provided solely in connection with ST products. STMicroelectronics NV and its subsidiaries ("ST") reserve the right to make changes, corrections, modifications or improvements, to this document, and the products and services described herein at any time, without notice.

All ST products are sold pursuant to ST's terms and conditions of sale.

Purchasers are solely responsible for the choice, selection and use of the ST products and services described herein, and ST assumes no liability whatsoever relating to the choice, selection or use of the ST products and services described herein.

No license, express or implied, by estoppel or otherwise, to any intellectual property rights is granted under this document. If any part of this document refers to any third party products or services it shall not be deemed a license grant by ST for the use of such third party products or services, or any intellectual property contained therein or considered as a warranty covering the use in any manner whatsoever of such third party products or services or any intellectual property contained therein.

**UNLESS OTHERWISE SET FORTH IN ST'S TERMS AND CONDITIONS OF SALE ST DISCLAIMS ANY EXPRESS OR IMPLIED WARRANTY WITH RESPECT TO THE USE AND/OR SALE OF ST PRODUCTS INCLUDING WITHOUT LIMITATION IMPLIED WARRANTIES OF MERCHANTABILITY, FITNESS FOR A PARTICULAR PURPOSE (AND THEIR EQUIVALENTS UNDER THE LAWS OF ANY JURISDICTION), OR INFRINGEMENT OF ANY PATENT, COPYRIGHT OR OTHER INTELLECTUAL PROPERTY RIGHT.**

**UNLESS EXPRESSLY APPROVED IN WRITING BY TWO AUTHORIZED ST REPRESENTATIVES, ST PRODUCTS ARE NOT RECOMMENDED, AUTHORIZED OR WARRANTED FOR USE IN MILITARY, AIR CRAFT, SPACE, LIFE SAVING, OR LIFE SUSTAINING APPLICATIONS, NOR IN PRODUCTS OR SYSTEMS WHERE FAILURE OR MALFUNCTION MAY RESULT IN PERSONAL INJURY, DEATH, OR SEVERE PROPERTY OR ENVIRONMENTAL DAMAGE. ST PRODUCTS WHICH ARE NOT SPECIFIED AS "AUTOMOTIVE GRADE" MAY ONLY BE USED IN AUTOMOTIVE APPLICATIONS AT USER'S OWN RISK.**

Resale of ST products with provisions different from the statements and/or technical features set forth in this document shall immediately void any warranty granted by ST for the ST product or service described herein and shall not create or extend in any manner whatsoever, any liability of ST.

ST and the ST logo are trademarks or registered trademarks of ST in various countries.

Information in this document supersedes and replaces all information previously supplied.

The ST logo is a registered trademark of STMicroelectronics. All other names are the property of their respective owners.

© 2012 STMicroelectronics - All rights reserved

STMicroelectronics group of companies

Australia - Belgium - Brazil - Canada - China - Czech Republic - Finland - France - Germany - Hong Kong - India - Israel - Italy - Japan - Malaysia - Malta - Morocco - Philippines - Singapore - Spain - Sweden - Switzerland - United Kingdom - United States of America

[www.st.com](http://www.st.com)