

# TL series

## Tiny washable toggle switches

*Distinctive features and specifications*



### Sealed

- Single piece case
- O-ring seal between actuator and bushing
- Epoxy sealed terminals

### Wide variety of contact materials

### Same PCB layout as TP, TR and TG tiny switches

#### ELECTRICAL SPECIFICATIONS

- Max. current/voltage rating with resistive load :
  - gold plated contacts : 0,4VA 20V max. AC or DC
  - silver plated contacts : 0,5A 48V max. AC or DC
- Minimum load : 10mA 50mV - 10 $\mu$ A 5VDC
- Contact resistance : 20 m $\Omega$  max.
- Insulation resistance : 1.000 M $\Omega$  min. at 500VDC
- Dielectric strength :
  - 1.000 Vrms 50 Hz min. between terminals and frame
  - 500 Vrms 50 Hz min. between terminals
- Electrical life at full load :

Contacts	Number of cycles	
	2 positions	3 positions
Gold plated	60.000	30.000
Silver plated	20.000	10.000

#### MATERIALS

- Case : PBT
- Actuator : brass, nickel plated
- Contacts and terminals :
  - 0 : brass, gold plated
  - 1 : brass, silver plated
  - 3 : brass, gold plated (1,27 micron gold)
  - 8 : contact brass, gold plated + tin plated terminals
  - 9 : contact brass, gold plated (1,27 micron gold) + tin plated terminals
- Terminal seal : epoxy

#### GENERAL SPECIFICATIONS

- Strength of terminals : pull-out force - 10N max.
- Operating temperature : -30°C to +85°C
- Moisture : 21 days 95 % (NFC 20-603 - IEC 68-2-3)
- Cleaning : solvents or water + detergent
- Wave soldering : 260°C - 5 sec.

# TL series

## Tiny washable toggle switches

Overview

MODEL  
STRUCTURE

TL

**SERIES**

**Number of poles**

- 3 Single pole
- 4 Double pole

**Electrical functions**

6	ON	-	ON
9	ON	OFF	ON
7	MOM	OFF	MOM
8	ON	OFF	MOM
2	ON	-	MOM

**Terminals**

P0	Straight PC
Y0	Bracket mounting
W0	Right angle, horizontal mounting
WW	Right angle, vertical mounting
MW	Wire-wrap

OPTIONS

**Contact and terminal materials**

- 0 Brass, gold plated
- 1 Brass, silver plated
- 3 Brass, gold plated (1,27 micron gold)
- 8 Contact brass, gold plated + tin plated terminals
- 9 Contact brass, gold plated (1,27 micron gold) + tin plated terminals (SP only)

**Lever and case styles**

Lever styles :

- Short - standard
- Medium
- Long
- Cylindrical

Codes according to lever finish and case colours : see "options" pages.

Insulated levers available.

**Special options**

- 00 No special requirement
- 07 Trimmed terminals - length 3,2 (.125)
- 08 Extended terminals
- 18 Switch without ground plate
- 20 Ground plate with 2 pins
- 25 Trimmed terminals - length 5 (.196)
- 30 Wire-wrap on bracket mounting models
- 50 Crimped ground plate pins

**ABOUT THIS SERIES**

On the following pages, you will find successively :

- model structure of switches
- options in the same order as in above chart

**Dimensions** : first dimensions are in mm while inches are shown as bracketted numbers.



**NOTICE** : please note that not all combinations of above numbers are available. Refer to the following pages for further information.

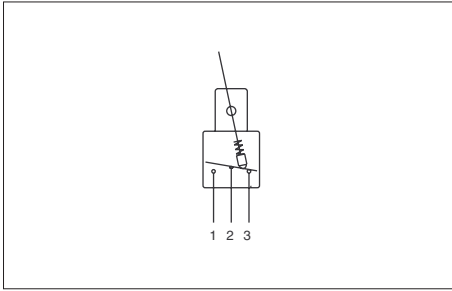


**Packaging unit** : 100 pieces, except for models with WW terminals (50 pieces)

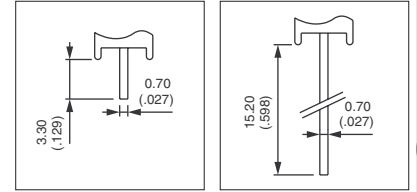


# TL series

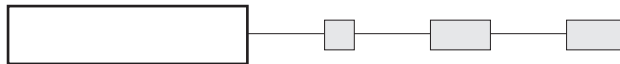
## Tiny washable toggle switches



- Straight PC, right angle or wire-wrap terminals
- 1 and 2 pole configurations



MODEL  
STRUCTURE



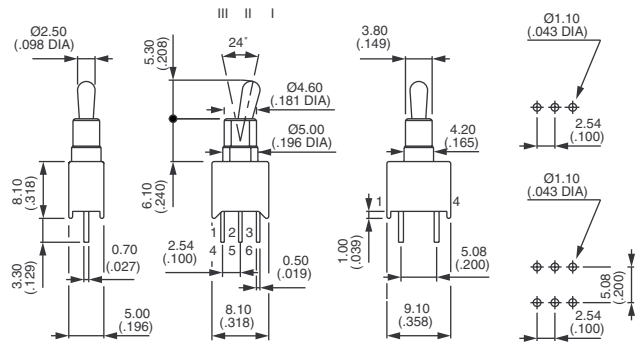
Shown with standard lever

### Straight PC terminals : TL..P0



Single pole	Double pole
TL36P0	TL46P0
TL39P0	TL49P0
TL37P0	TL47P0
TL38P0	TL48P0
TL32P0	TL42P0

III	II	I
ON	-	ON
ON	OFF	ON
MOM	OFF	MOM
ON	OFF	MOM
ON	-	MOM

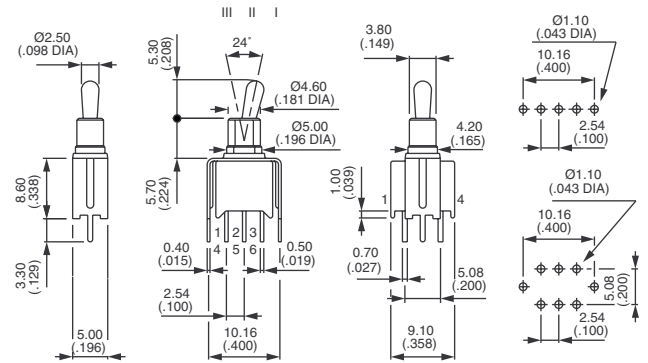


### Straight PC terminals - bracket mounting : TL..Y0



Single pole	Double pole
TL36Y0	TL46Y0
TL39Y0	TL49Y0
TL37Y0	TL47Y0
TL38Y0	TL48Y0
TL32Y0	TL42Y0

III	II	I
ON	-	ON
ON	OFF	ON
MOM	OFF	MOM
ON	OFF	MOM
ON	-	MOM

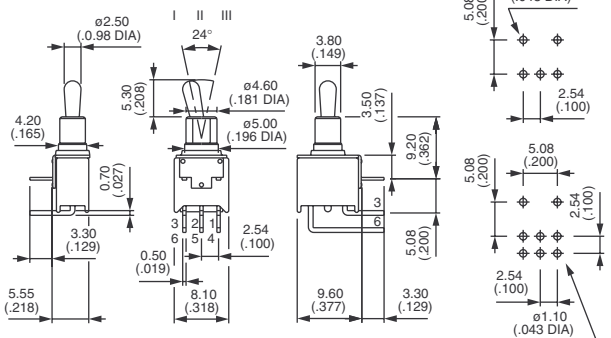


### Right angle terminals - horizontal mounting : TL..W0



Single pole	Double pole
TL36W0	TL46W0
TL39W0	TL49W0
TL37W0	TL47W0
TL38W0	TL48W0
TL32W0	TL42W0

III	II	I
ON	-	ON
ON	OFF	ON
MOM	OFF	MOM
ON	OFF	MOM
ON	-	MOM



# TL series

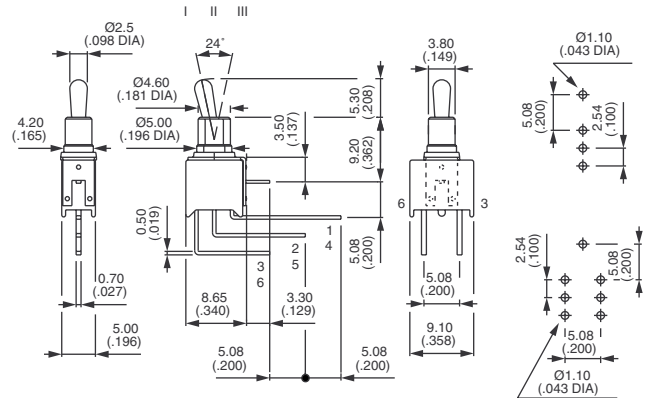
Tiny washable toggle switches



## Right angle terminals - vertical mounting : TL..WW



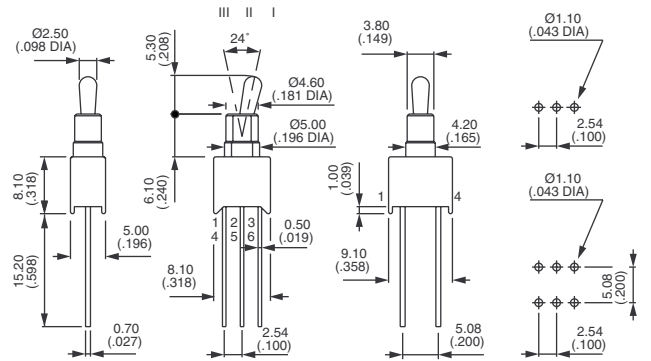
	Single pole	Double pole	III	II	I
	TL36WW	TL46WW	ON	-	ON
	TL39WW	TL49WW	ON	OFF	ON
	TL37WW	TL47WW	MOM	OFF	MOM
	TL38WW*	TL48WW*	ON	OFF	MOM
	TL32WW*	TL42WW*	ON	-	MOM



## Wire-wrap terminals : TL..MW

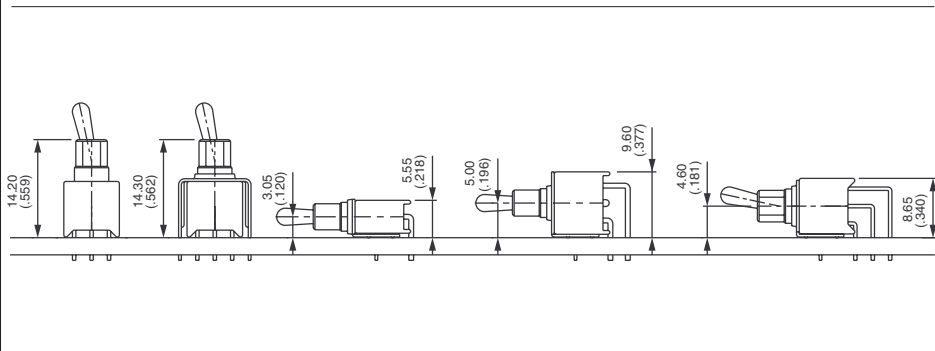


	Single pole	Double pole	III	II	I
	TL36MW	TL46MW	ON	-	ON
	TL39MW	TL49MW	ON	OFF	ON
	TL37MW	TL47MW	MOM	OFF	MOM
	TL38MW	TL48MW	ON	OFF	MOM
	TL32MW	TL42MW	ON	-	MOM



\* Functions 2 and 8 : reversed connection available. Consult factory.

## PCB MOUNTING

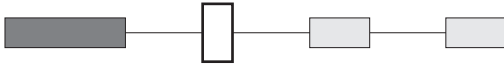




# TL series

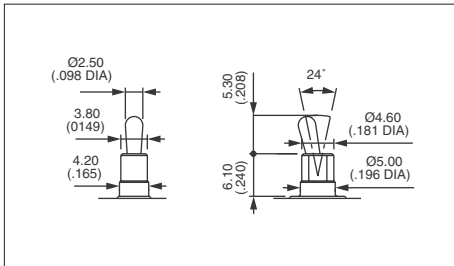
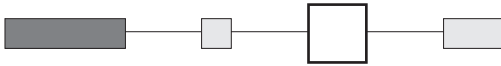
Tiny washable toggle switches

## CONTACT AND TERMINAL MATERIALS



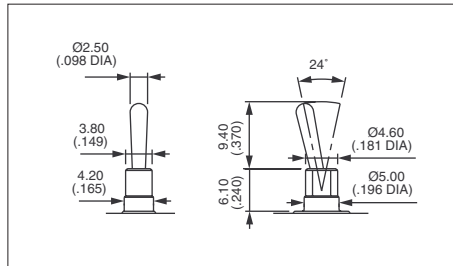
- 0 Brass, gold plated
- 1 Brass, silver plated
- 3 Brass, gold plated (1,27 micron gold)
- 8 Contact brass, gold plated + tin plated terminals
- 9 Contact brass, gold plated (1,27 micron gold) + tin plated terminals (single pole only)

## LEVER AND CASE STYLES



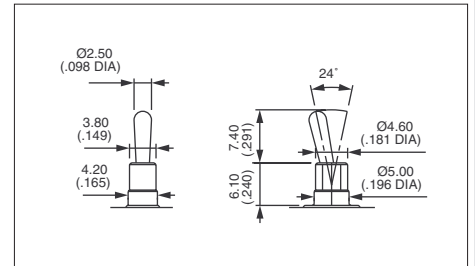
Short - standard

LEVER \ CASE	Blue	Black
Nickel plated	<b>00</b>	<b>50</b>
Matt black	<b>01</b>	<b>51</b>



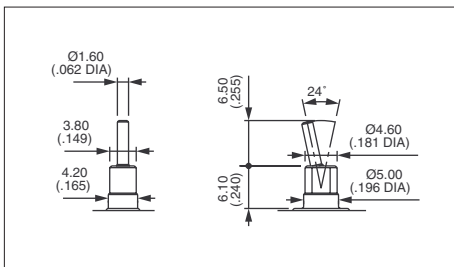
Long

LEVER \ CASE	Blue	Black
Nickel plated	<b>02</b>	<b>52</b>
Matt black	<b>03</b>	<b>53</b>



Medium

LEVER \ CASE	Blue	Black
Nickel plated	<b>04</b>	<b>54</b>
Matt black	<b>05</b>	<b>55</b>



Cylindrical

LEVER \ CASE	Blue	Black
Nickel plated	-	<b>56</b>

A

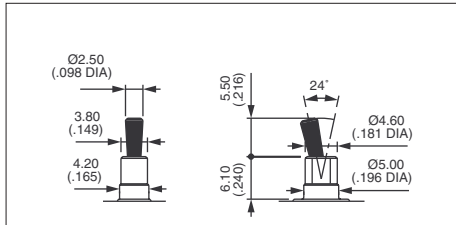
# TL series

Tiny washable toggle switches

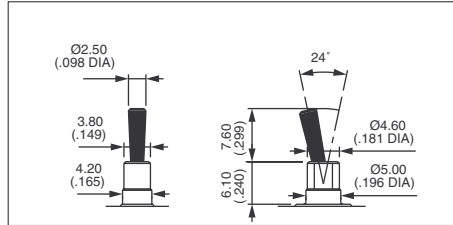


## LEVER AND CASE STYLES (continued)

**Insulated levers** - Protected against electrostatic discharges (ESD) up to 10KV. Black colour.

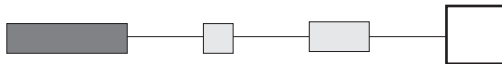


**40** With blue case  
**94** With black case



**30** With blue case  
**90** With black case

## SPECIAL OPTIONS



- 00** No special requirement
- 07** **Trimmed terminals** - length 3,2 mm (.125) for TL..WW models only
- 08** **Extended terminals** for TL..W0 models only
- 18** Switch **without ground plate** for TL..WW models only
- 20** **Ground plate with 2 pins** for TL..WW models only
- 25** **Trimmed terminals** - length 5 mm (.196) for all models, except TL..WW
- 30** **Wire-wrap terminals** on models with mounting **bracket**
- 50** **Crimped ground plate pins.**  
Retains switch on PCB during handling and wave soldering.  
For models TL..W0, TL..WW and TL..Y0 single and double pole.

