

MC100EPT22

Dual LVTTTL/LVCMOS to Differential LVPECL Translator

The MC100EPT22 is a dual LVTTTL/LVCMOS to differential LVPECL translator. Because LVPECL (Positive ECL) levels are used only +3.3V and ground are required. The small outline 8-lead SOIC package and the single gate of the EPT22 makes it ideal for those applications where space, performance, and low power are at a premium. Because the mature MOSAIC 5 process is used, low cost and high speed can be added to the list of features.

- 420ps Typical Propagation Delay
- Differential LVPECL Outputs
- Small Outline SOIC Package
- PNP LVTTTL Inputs for Minimal Loading
- Flow Through Pinouts
- Q Output will default HIGH with inputs open
- ESD Protection: 4.0 KV HBM, 200 V MM
- Maximum Frequency > 1.1 GHz
- Moisture Sensitivity Level 1, Indefinite Time Out of Drypack.
For Additional Information, See Application Note AND8003/D
- Flammability Rating: UL-94 code V-0 @ 1/8",
Oxygen Index 28 to 34
- Transistor Count = 164 devices

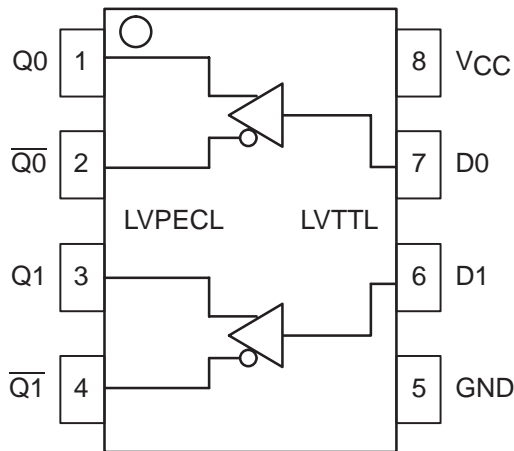
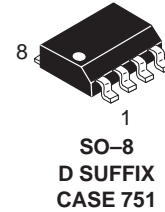


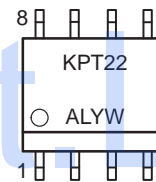
Figure 1. 8-Lead Pinout (Top View) and Logic Diagram



ON Semiconductor
Formerly a Division of Motorola
<http://onsemi.com>



MARKING DIAGRAM



A = Assembly Location
L = Wafer Lot
Y = Year
W = Work Week

*For additional information, see Application Note AND8002/D

PIN DESCRIPTION

PIN	FUNCTION
Q0, Q1, Q0-bar, Q1-bar	Diff. LVPECL Outputs
D0, D1	LVTTTL Inputs
VCC	Positive Supply
GND	Ground

ORDERING INFORMATION

Device	Package	Shipping
MC100EPT22D	SOIC	98 Units/Rail
MC100EPT22DR2	SOIC	2500 Tape & Reel

MC100EPT22

MAXIMUM RATINGS*

Symbol	Parameter	Value	Unit
V _{CC}	Power Supply	6.0 to 0	VDC
V _I	Input Voltage (V _I not more positive than V _{CC})	6.0 to 0	VDC
I _{out}	Output Current Continuous Surge	50 100	mA
T _A	Operating Temperature Range	-40 to +85	°C
T _{stg}	Storage Temperature	-65 to +150	°C
θ _{JA}	Thermal Resistance (Junction-to-Ambient) Still Air 500lfpm	190 130	°C/W
θ _{JC}	Thermal Resistance (Junction-to-Case)	41 to 44 ± 5%	°C/W
T _{sol}	Solder Temperature (<2 to 3 Seconds: 245°C desired)	265	°C

* Maximum Ratings are those values beyond which damage to the device may occur.

LVTTTL INPUT DC CHARACTERISTICS (V_{CC} = 3.3V ± 0.3V; GND = 0V; T_A = -40°C to +85°C)

Symbol	Characteristic	Min	Typ	Max	Unit
I _{IH}	Input HIGH Current (V _{in} = 2.7V)			20	μA
I _{IHH}	Input HIGH Current MAX (V _{in} = 6.0V)			100	μA
I _{IL}	Input LOW Current (V _{in} = 0.5V)			-0.6	mA
V _{IK}	Input Clamp Voltage (I _{in} = -18mA)			-1.0	V
V _{IH}	Input HIGH Voltage	2.0			V
V _{IL}	Input LOW Voltage			0.8	V

LVPECL OUTPUT DC CHARACTERISTICS (V_{CC} = 3.3V ± 0.3V, GND = 0V) (Note 3.)

Symbol	Characteristic	-40°C			25°C			85°C			Unit
		Min	Typ	Max	Min	Typ	Max	Min	Typ	Max	
ICC	Power Supply Current HIGH (Note 1.)	32	43	55	35	45	60	37	46	62	mA
V _{OH}	Output HIGH Voltage (Note 2.)	2100	2240	2400	2100	2280	2400	2100	2350	2400	mV
V _{OL}	Output LOW Voltage (Note 2.)	1350	1490	1600	1350	1555	1600	1350	1550	1600	mV

NOTE: 100EP circuits are designed to meet the DC specifications shown in the above table after thermal equilibrium has been established. The circuit is in a test socket or mounted on a printed circuit board and transverse airflow greater than 500lfpm is maintained.

1. V_{CC} = 3.3V, GND = 0V, all other pins floating.
2. All loading with 50 ohms to V_{CC}-2.0 volts.
3. Output parameters vary 1:1 with V_{CC}.

AC CHARACTERISTICS (V_{CC} = 3.3V ± 0.3V; GND = 0V)

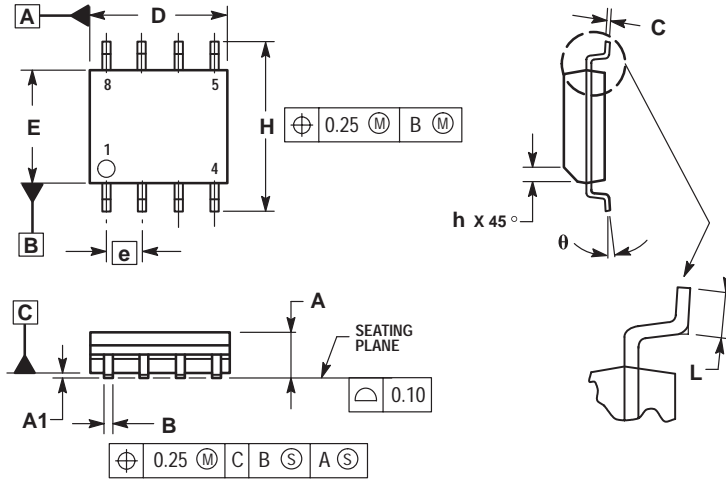
Symbol	Characteristic	-40°C			25°C			85°C			Unit
		Min	Typ	Max	Min	Typ	Max	Min	Typ	Max	
f _{max}	Maximum Toggle Frequency (Note 4.)	0.8	1.1		0.8	1.1		0.8	1.1		GHz
t _{PLH} , t _{PHL}	Propagation Delay to Output Differential	250	400	650	250	420	675	300	500	700	ps
t _{JITTER}	Cycle-to-Cycle Jitter		TBD			TBD			TBD		ps
t _r & t _f	Output Rise/Fall Times (20% - 80%) Q, \bar{Q}	50	110	200	60	120	220	70	140	250	ps

4. F_{max} guaranteed for functionality only. V_{OL} and V_{OH} levels are guaranteed at DC only.

MC100EPT22

PACKAGE DIMENSIONS

SO-8
D SUFFIX
PLASTIC SOIC PACKAGE
CASE 751-06
ISSUE T




NOTES:

1. DIMENSIONING AND TOLERANCING PER ASME Y14.5M, 1994.
2. DIMENSIONS ARE IN MILLIMETER.
3. DIMENSION D AND E DO NOT INCLUDE MOLD PROTRUSION.
4. MAXIMUM MOLD PROTRUSION 0.15 PER SIDE.
5. DIMENSION B DOES NOT INCLUDE DAMBAR PROTRUSION. ALLOWABLE DAMBAR PROTRUSION SHALL BE 0.127 TOTAL IN EXCESS OF THE B DIMENSION AT MAXIMUM MATERIAL CONDITION.

DIM	MILLIMETERS	
	MIN	MAX
A	1.35	1.75
A1	0.10	0.25
B	0.35	0.49
C	0.19	0.25
D	4.80	5.00
E	3.80	4.00
e	1.27 BSC	
H	5.80	6.20
h	0.25	0.50
L	0.40	1.25
θ	0°	7°

MC100EPT22

ON Semiconductor and  are trademarks of Semiconductor Components Industries, LLC (SCILLC). SCILLC reserves the right to make changes without further notice to any products herein. SCILLC makes no warranty, representation or guarantee regarding the suitability of its products for any particular purpose, nor does SCILLC assume any liability arising out of the application or use of any product or circuit, and specifically disclaims any and all liability, including without limitation special, consequential or incidental damages. "Typical" parameters which may be provided in SCILLC data sheets and/or specifications can and do vary in different applications and actual performance may vary over time. All operating parameters, including "Typicals" must be validated for each customer application by customer's technical experts. SCILLC does not convey any license under its patent rights nor the rights of others. SCILLC products are not designed, intended, or authorized for use as components in systems intended for surgical implant into the body, or other applications intended to support or sustain life, or for any other application in which the failure of the SCILLC product could create a situation where personal injury or death may occur. Should Buyer purchase or use SCILLC products for any such unintended or unauthorized application, Buyer shall indemnify and hold SCILLC and its officers, employees, subsidiaries, affiliates, and distributors harmless against all claims, costs, damages, and expenses, and reasonable attorney fees arising out of, directly or indirectly, any claim of personal injury or death associated with such unintended or unauthorized use, even if such claim alleges that SCILLC was negligent regarding the design or manufacture of the part. SCILLC is an Equal Opportunity/Affirmative Action Employer.

PUBLICATION ORDERING INFORMATION

USA/EUROPE Literature Fulfillment:

Literature Distribution Center for ON Semiconductor
P.O. Box 5163, Denver, Colorado 80217 USA
Phone: 303-675-2175 or 800-344-3860 Toll Free USA/Canada
Fax: 303-675-2176 or 800-344-3867 Toll Free USA/Canada
Email: ONlit@hibbertco.com

Fax Response Line*: 303-675-2167
800-344-3810 Toll Free USA/Canada
*To receive a Fax of our publications

N. America Technical Support: 800-282-9855 Toll Free USA/Canada

ASIA/PACIFIC: LDC for ON Semiconductor – Asia Support
Phone: 303-675-2121 (Tue-Fri 9:00am to 1:00pm, Hong Kong Time)
Email: ONlit-asia@hibbertco.com

JAPAN: ON Semiconductor, Japan Customer Focus Center
4-32-1 Nishi-Gotanda, Shinagawa-ku, Tokyo, Japan 141-8549
Phone: 81-3-5487-8345
Email: r14153@onsemi.com

ON Semiconductor Website: <http://onsemi.com>

For additional information, please contact your local Sales Representative.