

NPN EPOXY – LOW NOISE LEVEL AMPLIFIER (Cont'd.)

T-31-01 D

TYPE NO.	V _{CB}	V _{CE}	V _{EB}	h _{FE} at I _C		V _{CE}	V _{CE(s)} at I _C		f _T	C _{ob}	NF	t _{off}	I _{CBO} at V _{CB}		CASE
	V	V	V	min	max	V	V	mA	MHz	pF	dB	nS	μA	V	
2N5088	30	30	4	300	900	0.1	10	—	—	—	3.0	—	—	—	TO-92
2N5089	25	25	4	40	1200	0.1	10	—	—	—	2.0	—	—	—	TO-92
2N5127	20	12	3	15	300	2.0	10	0.3	—	150	—	—	.05	10	TO-106
2N5131	20	15	3	30	500	10	10	1.0	—	100	—	—	.05	10	TO-106
2N5133	20	18	3	60	1000	1.0	1.0	0.4	—	40	—	—	.05	15	TO-106
2N5209	50	50	4	100	300	0.1	10	—	—	—	4.0	—	—	—	TO-92
2N5210	50	50	4	200	600	0.1	10	—	—	—	3.0	—	—	—	TO-92
2N5232	50	50	5	250	500	2.0	5	.125	10	—	—	—	—	—	TO-98
2N5232A	50	50	5	250	500	2.0	5	.125	10	—	4	—	—	—	TO-98
2N5376	30	30	5	100	500	0.01	5	0.2	10	30	8	2.0	—	—	TO-92P
2N5377	30	30	5	40	200	.01	5	0.2	10	30	8	—	—	—	TO-92P
2N5961	60	60	8	100	—	.01	10	—	—	—	—	—	—	—	TO-92
2N5962	45	45	8	45	—	.01	10	—	—	—	—	—	—	—	TO-92

NPN EPOXY – RF/IF OSCILLATOR

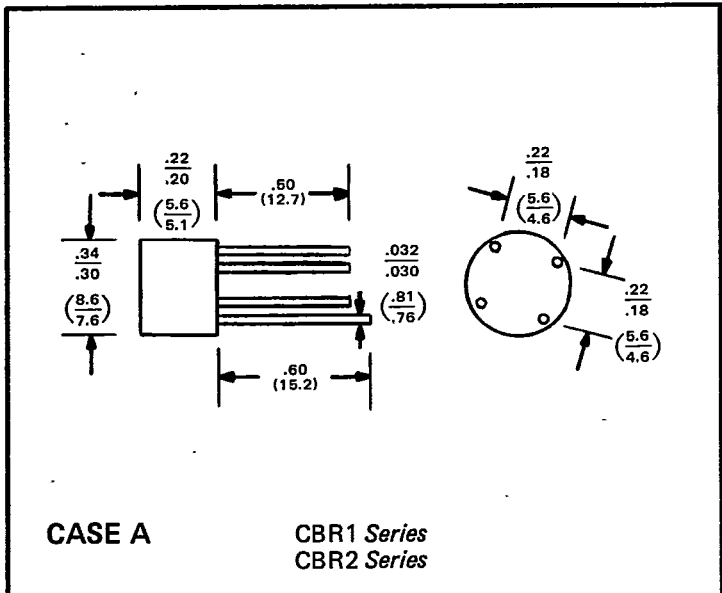
TYPE NO.	V _{CB}	V _{CE}	V _{EB}	h _{FE} at I _C		V _{CE}	V _{CE(s)} at I _B			f _T	C _{ob}	I _{CBO} at V _{CB}		CASE	
	V	V	V	min	max	V	V	mA	mA	MHz	pF	μA	V		
2N3563	30	12	2	20	200	8	10	—	—	—	600	1.7	.05	15	TO-106
2N3564	30	15	4	20	500	15	10	0.3	2	10	400	3.5	.05	15	TO-106
2N3693	45	45	4	40	160	10	10	—	—	—	200	6.0	.05	30	TO-106
2N3694	45	45	4	100	400	10	10	—	—	—	200	6.0	.05	30	TO-106
2N3843	30	30	4	20	40	2	4.5	1.0	1	10	60	4.0	—	—	TO-98
2N3843A	30	30	4	20	40	2	4.5	1.0	1	10	60	4.0	—	—	TO-98
2N3844	30	30	4	35	70	2	4.5	1.0	1	10	90	4.0	—	—	TO-98
2N3844A	30	30	4	35	70	2	4.5	1.0	1	10	90	4.0	—	—	TO-98
2N3845	30	30	4	60	120	2	4.5	1.0	1	10	126	4.0	—	—	TO-98
2N3845A	30	30	4	60	120	2	4.5	1.0	1	10	126	4.0	—	—	TO-98
2N3854	18	18	4	35	70	2	4.5	1.0	1	10	100	3.5	—	—	TO-98
2N3854A	30	30	4	35	70	2	4.5	1.0	1	10	100	3.5	—	—	TO-98
2N3855	18	18	4	60	120	2	4.5	1.0	1	10	130	3.5	—	—	TO-98
2N3855A	30	30	4	60	120	2	4.5	1.0	1	10	130	3.5	—	—	TO-98
2N3856	18	18	4	100	200	2	4.5	1.0	1	10	140	3.5	—	—	TO-98
2N3856A	30	30	4	100	200	2	4.5	1.0	1	10	140	3.5	—	—	TO-98
2N3858	30	30	4	60	120	2	4.5	1.0	1	10	90	4.0	—	—	TO-98
2N3858A	60	60	6	60	120	10	1.0	0.25	1	10	90	4.0	—	—	TO-98
2N3859	30	30	4	100	200	2	4.5	1.0	1	10	90	4.0	—	—	TO-98
2N3859A	60	60	6	100	200	10	1.0	0.25	1	10	90	4.0	—	—	TO-98
2N3860	30	30	4	150	300	2	4.5	1.0	1	10	90	4.0	—	—	TO-98
2N5130	30	12	3	15	250	8	10	0.6	1	10	450	1.7	.05	10	TO-106
2N5132	20	20	3	30	400	10	10	0.2	1	10	200	3.5	.05	10	TO-106

PNP EPOXY – SWITCHING AND GENERAL PURPOSE

TYPE NO.	V _{CB}	V _{CE}	V _{EB}	h _{FE} at I _C		V _{CE}	V _{CE(s)} at I _B			f _T	C _{ob}	I _{CBO} at V _{CB}		CASE	
	V	V	V	min	max	V	V	mA	mA	MHz	pF	μA	V		
2N3638	25	25	4	30	—	50	2	1.0	30	300	100	20	.035	15	TO-105
2N3638A	25	25	4	100	—	50	10	1.0	30	300	150	10	.035	15	TO-105
2N3644	45	45	5	100	300	150	2	1.0	30	300	200	8	.035	30	TO-105
2N3645	60	60	5	100	300	150	2	1.0	30	300	200	8	.035	50	TO-105
2N3702	40	25	5	60	—	50	5	—	—	—	100	12	0.1	25	TO-98
2N3703	50	30	5	30	—	50	5	—	—	—	100	12	0.1	30	TO-98
2N3905	40	40	5	50	150	10	10	.25	1.0	10	200	4.5	—	—	TO-92
2N3906	40	40	5	100	300	10	10	.25	1.0	10	250	4.5	—	—	TO-92
2N4058	30	30	6	100	—	1	5	—	—	—	—	—	0.1	20	TO-98
2N4059	30	30	6	45	—	1	5	—	—	—	—	—	0.1	20	TO-98

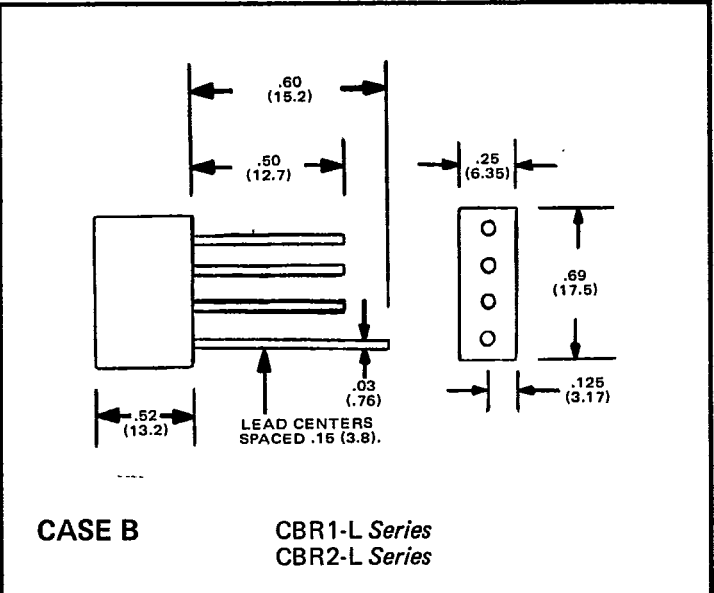
CASE OUTLINE DRAWINGS

D



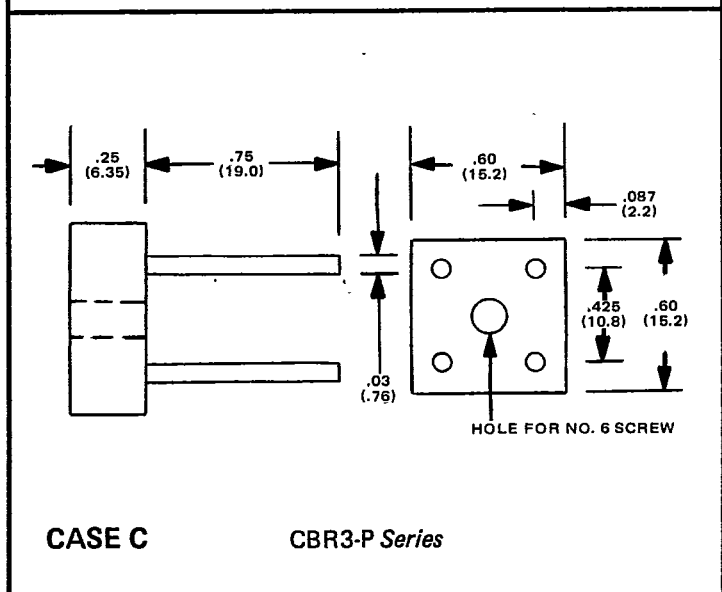
CASE A

CBR1 Series
CBR2 Series



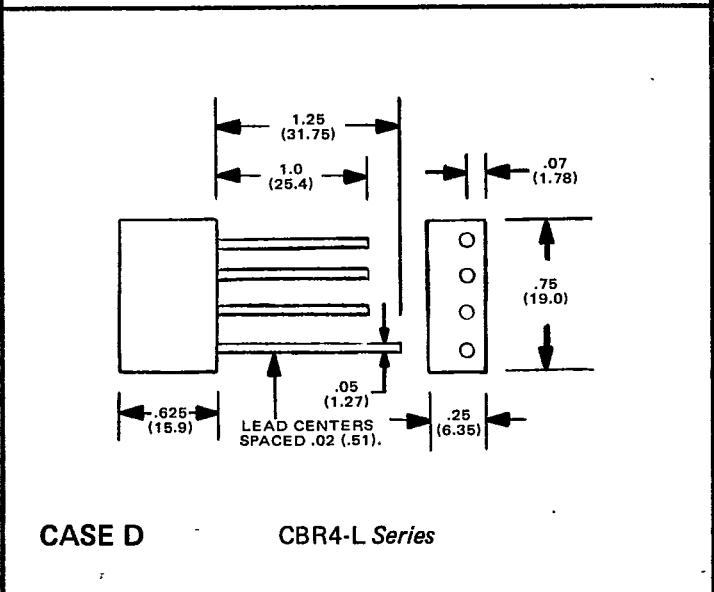
CASE B

CBR1-L Series
CBR2-L Series



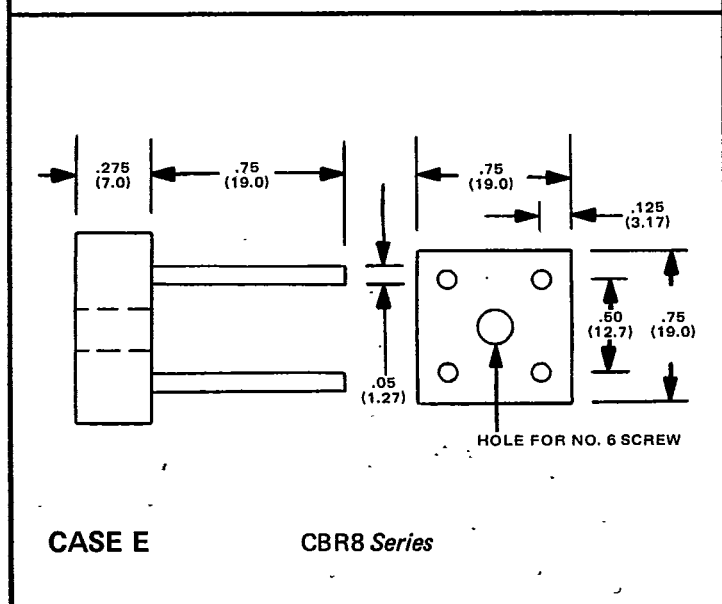
CASE C

CBR3-P Series



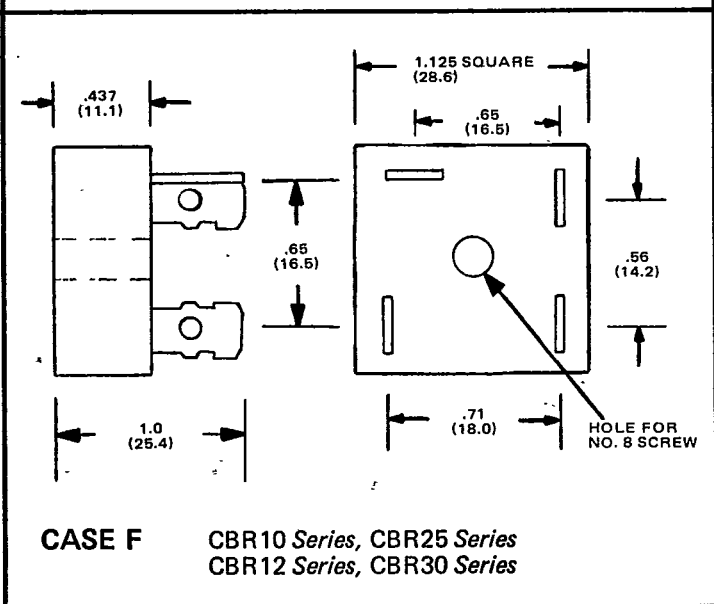
CASE D

CBR4-L Series



CASE E

CBR8 Series



CASE F

CBR10 Series, CBR25 Series
CBR12 Series, CBR30 Series

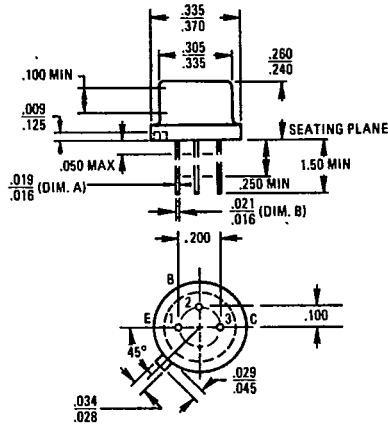
All Dimensions in Inches (Millimeters)

Drawings Not To Scale

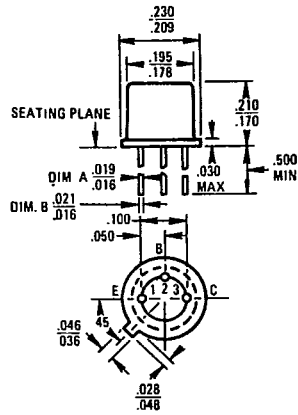
f

MECHANICAL OUTLINE DRAWINGS

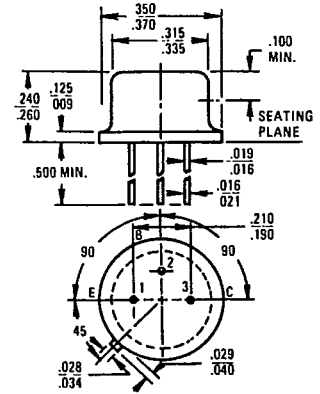
TO-5



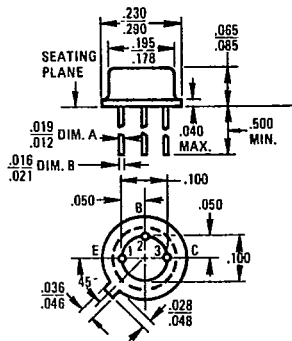
TO-18



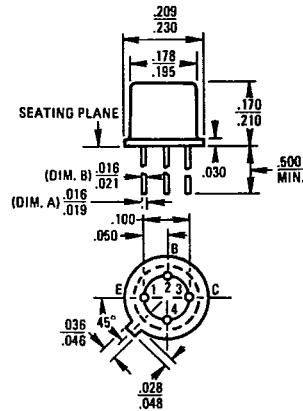
TO-39



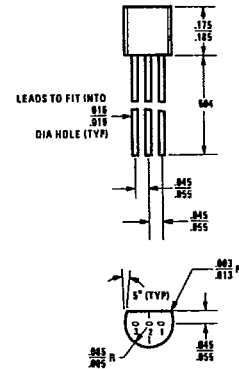
TO-46



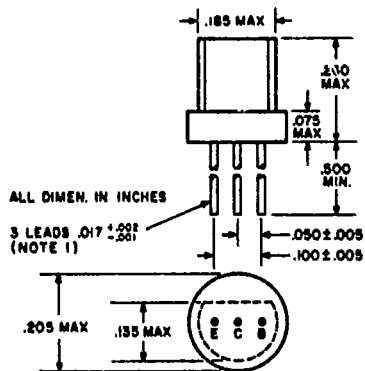
TO-72



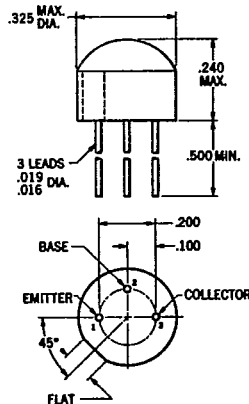
TO-92



TO-98



TO-105



TO-106

