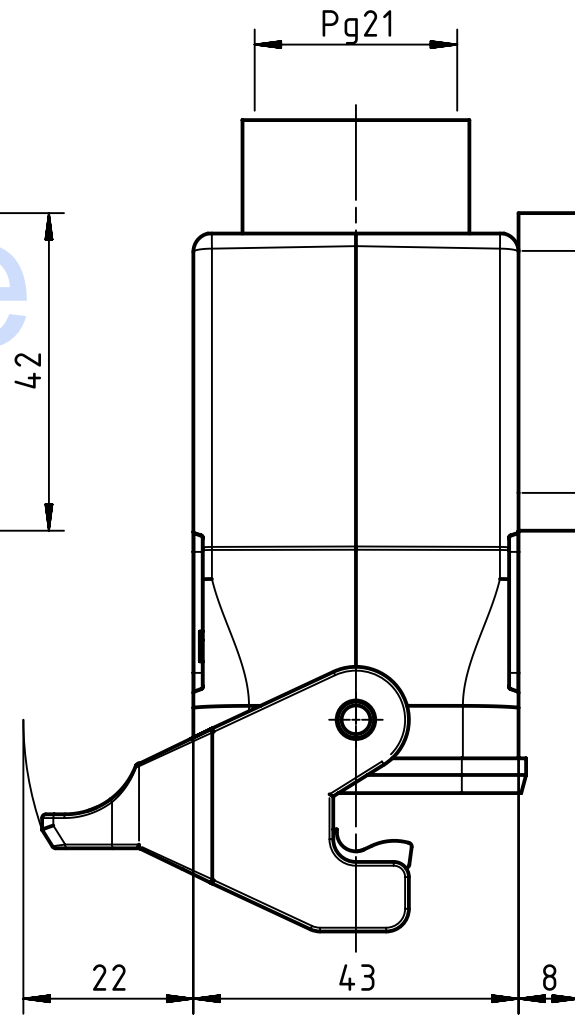
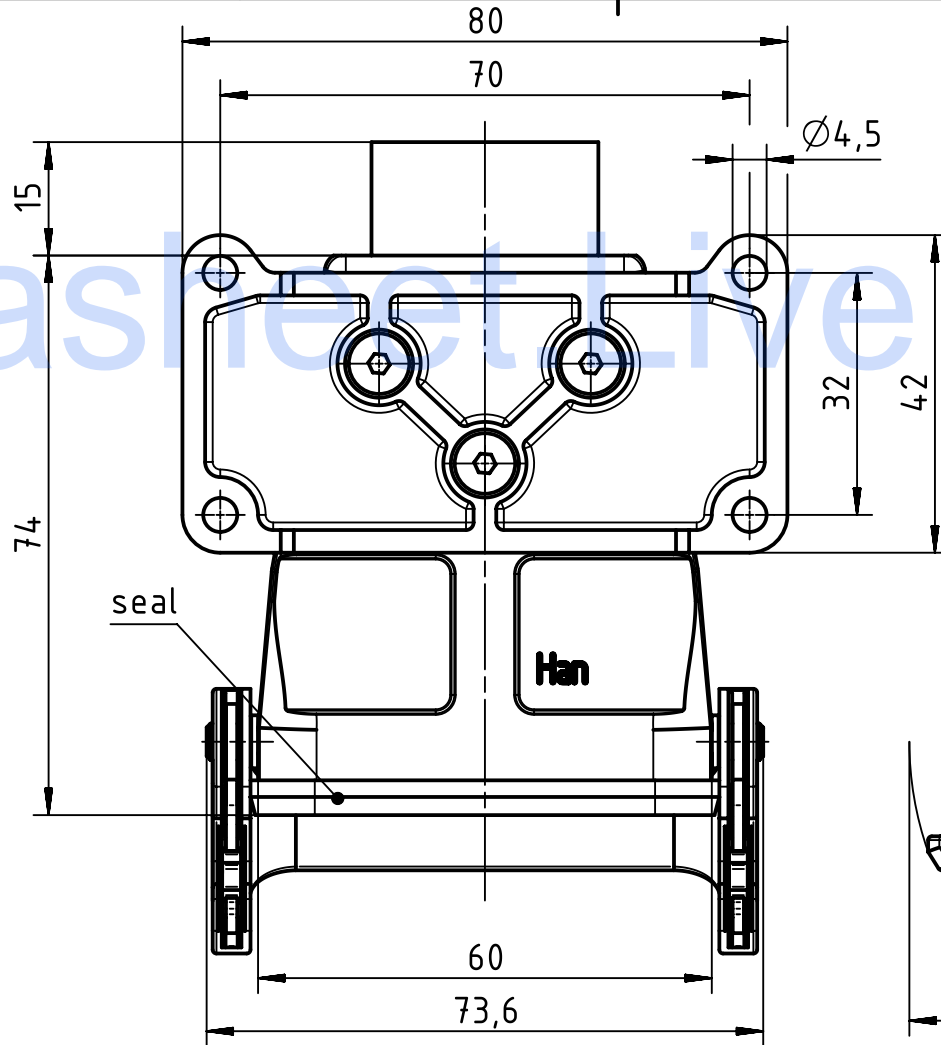
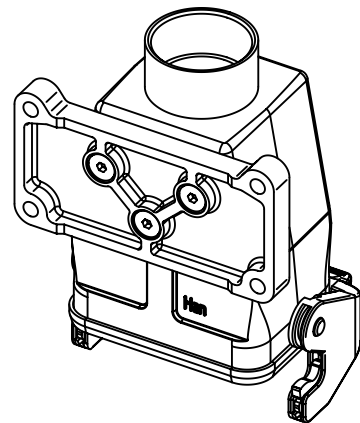


Datash... Live



All Dimensions in mm Original Size DIN A4		Scale 1:1		Free size tol.		Ref.	
All rights reserved Department EL PD - DE		Created by SCHULZI		Inspected by SCHNIEDER		Date 2014-10-24	
HARTING Electric GmbH & Co. KG D-32339 Espelkamp		Title Han 6B-kg-LB-21 mit Flanschbefestigung				State Final Release Doc-Key / ECM-Nr. 100530638/UGD/007/C 500000080554	
		Type TB		Number 09 30 006 0757		Rev. C Page 1/1	