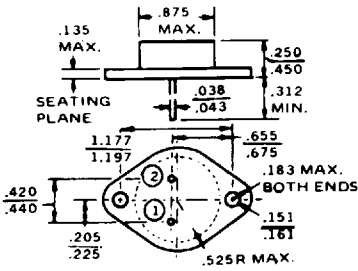


SILICON TRANSISTORS

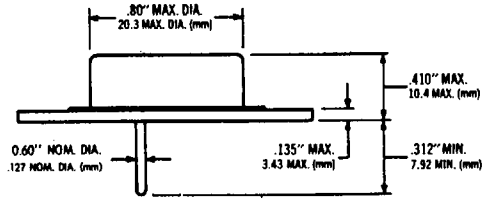
DEVICE TYPE NO.	POLARITY	P _D @ T _C =25°C	MAXIMUM RATINGS				ELECTRICAL CHARACTERISTICS				CASE
		WATTS	I _C AMPS	BV _{CB0}	BV _{CE}	BV _{EB0}	h _{FE} MIN.	I _C AMPS	V _{CE}	f MHZ *KHZ	
2N1336	NPN	.800	.300	120	90	4	10	.030	10	70	T039
2N1337	NPN	.800	.300	120	90	4	10	.030	10	70	T039
2N1338	NPN	.800	.300	80	50	3	10	.030	10	70	T039
2N1339	NPN	.800	.300	120	100	3	10	.030	10	70	T039
2N1340	NPN	.800	.300	120	100	3	10	.030	10	70	T039
2N1341	NPN	.800	.300	1120	100	3	10	.030	10	70	T039
2N1342	NPN	.800	.300	150	125	5	10	.030	10	70	T039
2N1386	NPN	.300	.050	25	25	3	30	.010	1	25	T039
2N1387	NPN	.300	.050	30	30	3	20	.010	1	25	T039
2N1388	NPN	.300	.050	45	25	1.5	30	.001	6	50	T039
2N1389	NPN	.300	.050	50	50	1.5	4	.001	6	20	T039
2N1390	NPN	.300	.050	20	20	2	10	.001	6	20	T039
2N1409	NPN	.600	.500	30	25	4	15	.150	10	50	T039
2N1409A	NPN	.800	.500	30	25	4	15	.150	10	230	T039
2N1410	NPN	.600	.500	45	30	4	30	.150	10	50	T039
2N1410A	NPN	.800	.500	45	30	4	30	.150	10	230	T039
2N1417	NPN	.150	.050	15	15	2	30	.001	6	1	T039
2N1418	NPN	.150	.050	30	30	2	30	.001	6	1	T039
2N1420	NPN	.600	1.00	60	30	5	100	.150	10	50	T039
2N1470	NPN	55.0	3.00	60	60	3	15	1.00	5	1	T03
2N1491	NPN	.500	.100	30	30	1	50	.015	20	200	T039
2N1492	NPN	.500	.100	60	60	2	15	.015	20	200	T039
2N1493	NPN	.500	.100	100	100	4.5	15	.015	20	200	T039
2N1505	NPN	.800	.500	50	20	3	7	.100	28	70	T039
2N1506	NPN	.800	.500	60	20	4	10	.100	28	140	T039
2N1506A	NPN	.800	.500	80	50	5	10	.100	28	140	T039
2N1507	NPN	.600	.100	60	30	5	100	.150	10	50	T039
2N1613	NPN	.600	1.00	75	50	7	40	.150	10	60	T039
2N1613A	NPN	1.00	1.00	75	50	7	40	.150	10	60	T039
2N1613B	NPN	1.00	1.00	120	50	7	40	.150	10	60	T039
2N1700	NPN	5.00	1.00	60	40	6	20	.100	4	*400	T05
2N1711	NPN	.800	1.00	75	50	7	100	.150	10	70	T039
2N1711A	NPN	.800	1.00	75	50	7	100	.150	10	70	T039
2N1711B	NPN	.800	1.00	120	50	7	100	.150	10	70	T039
2N1716	NPN	.800	.750	90	60	6	40	.200	5	16	T039
2N1717	NPN	.800	.750	150	100	6	40	.200	5	16	T039
2N1838	NPN	.600	.500	45	20	5	40	.100	10	90	T039
2N1839	NPN	.600	.500	45	20	4.5	12	.100	10	90	T039
2N1840	NPN	.800	.500	25	15	5	10	.150	10	90	T039
2N1893	NPN	.800	.500	120	80	7	40	.150	10	50	T039
2N1893A	NPN	.800	.500	140	80	7	40	.150	10	100	T039
2N1973	NPN	.800	.200	100	60	7	76	.001	5	60	T039
2N1974	NPN	.800	.200	100	60	7	36	.001	5	50	T039
2N1975	NPN	.800	.200	100	60	5	18	.001	5	40	T039
2N1983	NPN	.600	1.00	50	25	5	70	.001	5	40	T039
2N1986	NPN	.600	.500	50	25	5	60	.150	10	40	T039
2N1987	NPN	.600	.500	50	25	5	20	.150	10	40	T039
2N1988	NPN	.600	1.00	100	45	5	20	.001	5	40	T039
2N1989	NPN	.600	1.00	100	45	5	10	.001	5	40	T039
2N1990	NPN	.600	1.00	100	45	3	20	.030	10	40	T039
2N1991	PNP	.600	.500	30	20	5	15	.150	10	40	T039
2N2017	NPN	1.00	1.00	60	60	8	50	.200	10	10	T039
2N2040	NPN	.600	.500	45	45	4	30	.200	6	2	T039
2N2041	NPN	.600	.500	75	75	4	30	.200	6	2	T039
2N2049	NPN	.800	.500	75	50	7	75	.001	5	50	T039
2N2102	NPN	1.00	1.00	120	65	7	40	.150	10	60	T039
2N2107	NPN	1.00	.500	60	60	8	30	.200	10	15	T039
2N2175	PNP	.100	.050	6	6	6	30	20u	1.5	10	T039
2N2176	PNP	.100	.050	6	6	6	30	20u	1.5	10	T018
2N2177	PNP	.100	.050	6	6	6	15	20u	1.5	8	T039

TO3

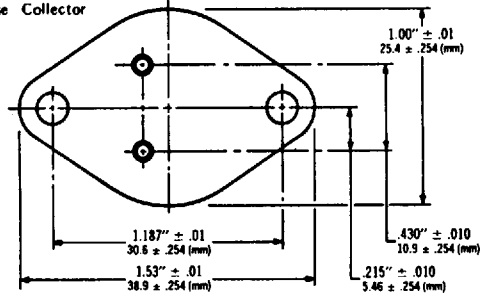


TO3-MOD

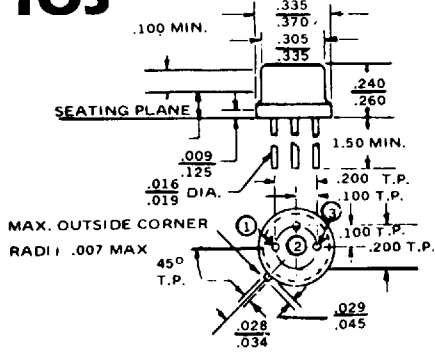
Case TO3 MODIFIED (.050" Pin Dia.)



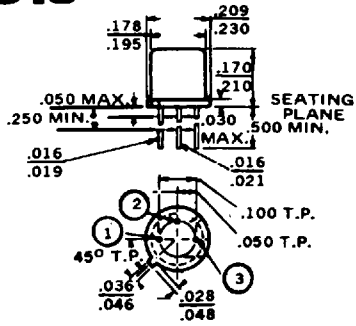
Pin 1. Base
2. Emitter
Case Collector



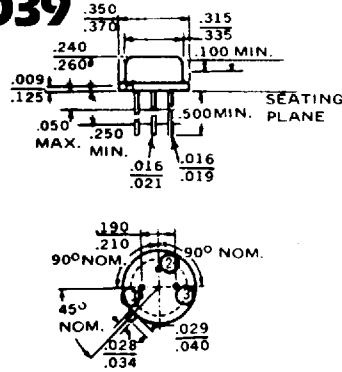
TO5



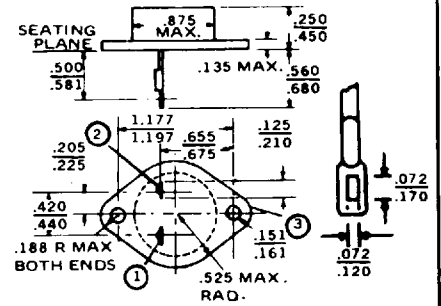
TO18



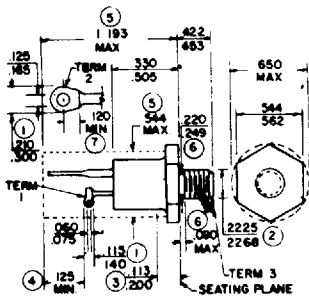
TO39



TO41



TO48



TO61

