

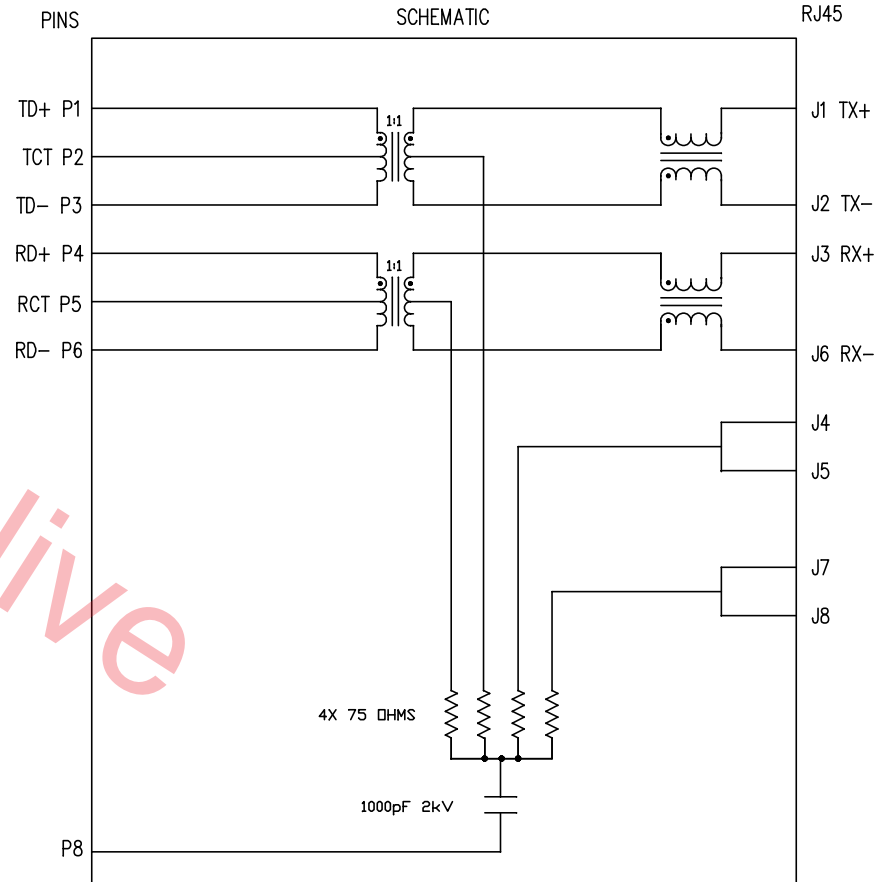
THE INFORMATION CONTAINED HEREIN IS CONSIDERED "PROPRIETARY" TO BEL FUSE INC. AND SHALL NOT BE COPIED, REPRODUCED OR DISCLOSED WITHOUT THE WRITTEN APPROVAL OF BEL FUSE INC.

PRELIMINARY



ELECTRICAL CHARACTERISTICS @ 25°C

- OPERATING TEMPERATURE RANGE: : -40°C TO +85°C
- 1.0 TURNS RATIO: (P6-P5-P4) : (J6-J3) : 1CT : 1CT ± 3%
(P3-P2-P1) : (J2-J1) : 1CT : 1CT ± 3%
- 2.0 INDUCTANCE: (P6-P4) : 350uH MIN. @ 0.1V, 100KHz, 8mA DC Bias
(P3-P1) : 350uH MIN. @ 0.1V, 100KHz, 8mA DC Bias
- 3.0 LEAKAGE INDUCTANCE: P6-P4 (WITH J6 AND J3 SHORT) : 0.3uH MAX. @ 1MHz
P3-P1 (WITH J2 AND J1 SHORT) : 0.3uH MAX. @ 1MHz
- 4.0 INTERWINDING CAPACITANCE: (P6,P5,P4) TO (J6,J3) : 40pF MAX @ 1MHz
(P3,P2,P1) TO (J2,J1) : 40pF MAX. @ 1MHz
- 5.0 DC RESISTANCE: (J6-J3)=(J2-J1) : 1.2 ohms Max.
- 6.0 RETURN LOSS: (P6-P4)=100 OHMS AND (P1-P3)=100 OHM REF.
1MHz TO 30MHz : 18dB MIN.
60MHz TO 80MHz : 12dB MIN.
- NOTE: 100 OHMS CONNECTED TO (J2-J1) OR (J6-J3).
- 7.0 DIELECTRIC WITHSTAND: (J1, J2) TO (P1, P3) : 1500 Vrms
(J3, J6) TO (P4,P6) : 1500 Vrms
- 8.0 INSERTION LOSS: RS=RL=100 ohms : 1.1 dB TYP
100KHz TO 100MHz
- 9.0 RISE TIME: RS=100 OHMS AND RL = 100 OHMS : 3.0 nS MAX
OUTPUT VOLTAGE = 1 V peak : 3.0 nS MAX
PULSE WIDTH= 112nS
- 10.0 CROSS TALK: 1MHz TO 100MHz : 40 dB TYP
- 11.0 COMMON TO COMMON MODE ATTENUATION: 30MHz TO 100MHz : 35dB TYP



NOTES

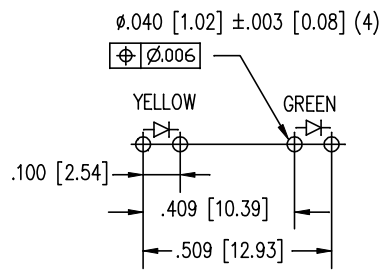
1.0 PINS WITHOUT ELECTRICAL CONNECTION ARE OMITTED.

ORIGINATED BY Bain Liu	DATE Jun-12-09	TITLE MagJack® 10/100BT TAB DOWN, SHIELDED PATENTED	PART NO. / DRAWING NO. SI-60238-F-R	STANDARD DIM. TOL. IN INCH .X .XX .XXX	[] METRIC DIM. AS REFERENCE UNIT : INCH [mm] SCALE : N/A ±0.005	REV. : X0 SIZE : A4 PAGE : 2	bel COMPONENTS FOR A CONNECTED PLANET
DRAWN BY Bain Liu	DATE Jun-12-09		FILE NAME SI-60238-F-R.DWG				

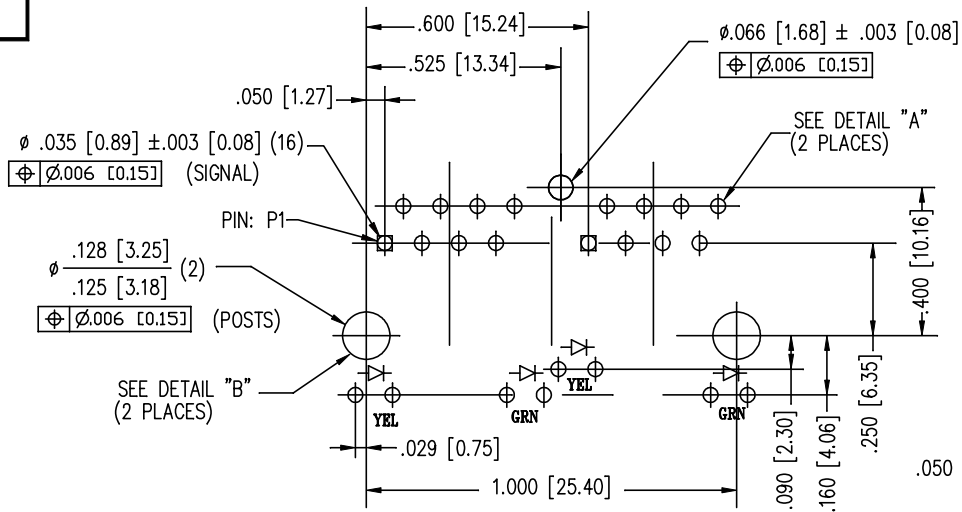
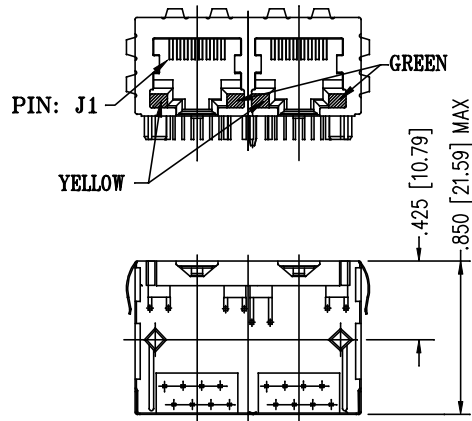
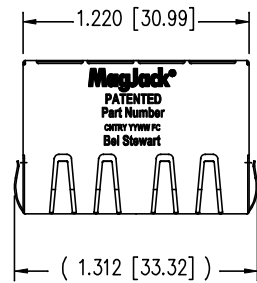
THE INFORMATION CONTAINED HEREIN IS CONSIDERED "PROPRIETARY" TO BEL FUSE INC. AND SHALL NOT BE COPIED, REPRODUCED OR DISCLOSED WITHOUT THE WRITTEN APPROVAL OF BEL FUSE INC.



PRELIMINARY

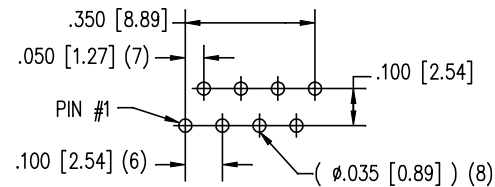
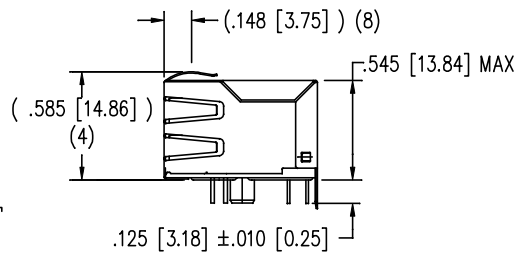


DETAIL "B"
TYPICAL LED HOLE LAYOUT



P.C.B. RECOMMENDED HOLE LAYOUT
SEEN FROM COMPONENT SIDE

ALL CENTERLINE DIMENSIONS ARE BASIC.



DETAIL "A"
TYPICAL RJ45 HOLE LAYOUT

LED SPECIFICATION			
STANDARD LED	WAVELENGTH	Forward V (MAX)	*(TYP)
GREEN	565 nm	2.5 V	2.2 V
YELLOW	590 nm	2.5 V	2.1 V

*WITH A FORWARD CURRENT OF 20 mA (TYP)

NOTES:

- CONNECTOR MATERIALS:
HOUSING: THERMOPLASTIC UL94 V-0
CONTACT/SHIELD: COPPER ALLOY
SHIELD PLATING: NICKEL OR TIN
CONTACT PLATING: SELECTIVE GOLD,
50 MICRO-INCHES MIN. IN CONTACT AREA.
- PIN NOT ELECTRICALLY CONNECTED MAYBE OMITTED.
SEE ELECTRICAL DRAWING FOR OMITTED PINS.
- TOLERANCES COMPLY WITH F.C.C.
DIMENSION REQUIREMENTS.
- ALL TOLERANCES NOT OTHERWISE SPECIFIED
TO BE ±.005 [0.13]
- REFLOW AND WAVE SOLDER COMPATIBLE -260°C FOR
10 SECONDS MAX.

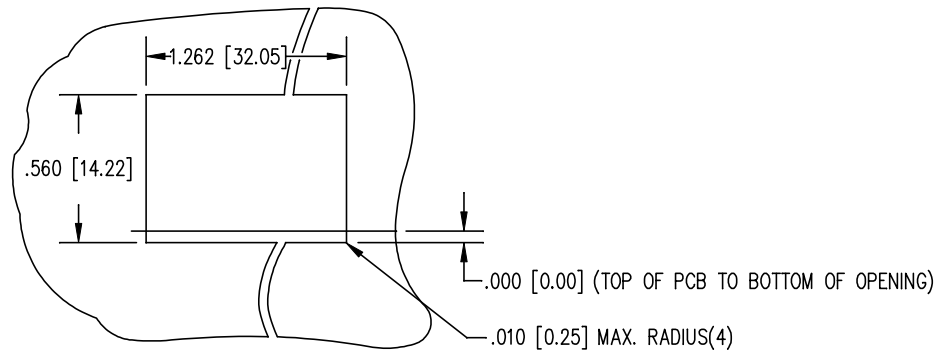
ORIGINATED BY	DATE	TITLE MagJack® 10/100BT TAB DOWN, SHIELDED PATENTED
Bain Liu	Jun-12-09	
DRAWN BY	DATE	
Bain Liu	Jun-12-09	

PART NO. / DRAWING NO.	STANDARD DIM.	[] METRIC DIM. AS REFERENCE	
SI-60238-F-R	TOL. IN INCH	UNIT : INCH [mm]	REV. : X0
FILE NAME	.X	SCALE : N/A	SIZE : A4
SI-60238-F-R.DWG	.XX		PAGE : 3
	.XXX		±0.005

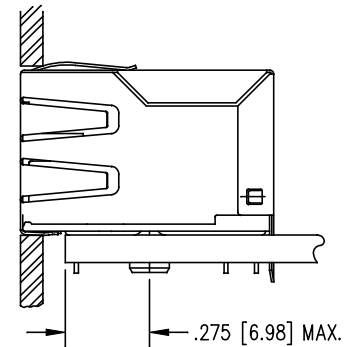


THE INFORMATION CONTAINED HEREIN IS CONSIDERED "PROPRIETARY" TO BEL FUSE INC. AND SHALL NOT BE COPIED, REPRODUCED OR DISCLOSED WITHOUT THE WRITTEN APPROVAL OF BEL FUSE INC.

PRELIMINARY



SUGGESTED PANEL OPENING



1. THE SUGGESTED PANEL OPENING IS INTENDED TO GIVE THE USER THE ABILITY TO HAVE REASONABLE JACK / PANEL CLEARANCES YET MAINTAIN RELIABLE GROUNDING CAPABILITY.
2. ALL TOLERANCES NOT OTHERWISE SPECIFIED TO BE ± 0.005 [0.13]

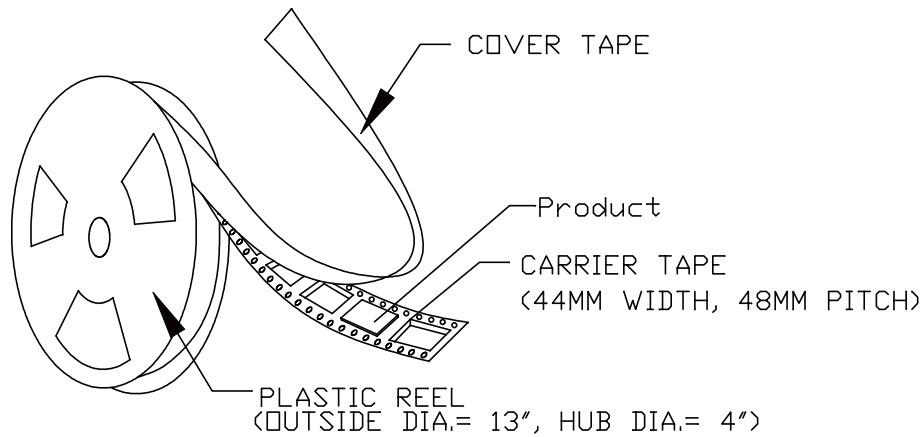
ORIGINATED BY	DATE	TITLE	PART NO. / DRAWING NO.	STANDARD DIM. TOL. IN INCH	[] METRIC DIM. AS REFERENCE
Bain Liu	Jun-12-09	MagJack® 10/100BT TAB DOWN, SHIELDED PATENTED	SI-60238-F-R	.X	UNIT : INCH [mm] REV. : X0
DRAWN BY	DATE		FILE NAME	.XX	SCALE : N/A SIZE : A4
Bain Liu	Jun-12-09		SI-60238-F-R.DWG	.XXX	±0.005 PAGE : 4



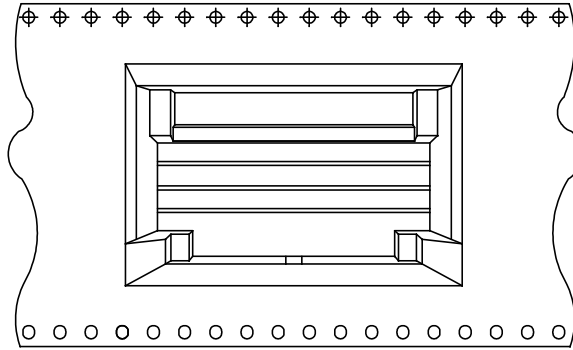
THE INFORMATION CONTAINED HEREIN IS CONSIDERED "PROPRIETARY" TO BEL FUSE INC. AND SHALL NOT BE COPIED, REPRODUCED OR DISCLOSED WITHOUT THE WRITTEN APPROVAL OF BEL FUSE INC.

TAPE AND REEL PACKING INFORMATION

PRELIMINARY



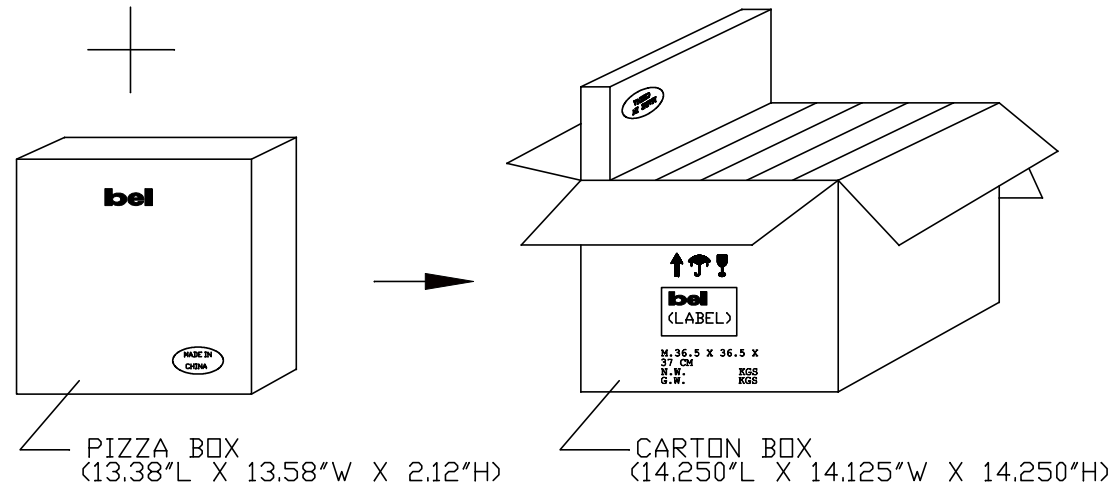
USER FEED DIRECTION



PART ORIENTATION & FEEDING DIRECTION.

NOTES:

- 1) LEAVES 48 INCHES COVER TAPE AND 4 EMPTY POCKETS AT TRAILER.
- 2) LEAVES 24 INCHES COVER TAPE AND 8 EMPTY POCKETS AT LEADER.
- 3) PACK 50 PCS PER REEL.
- 4) EACH PIZZA BOX CONTAINS ONE (1) REEL, (50 PCS FINISHED GOODS EACH PIZZA BOX).
- 5) EACH CARTON BOX CONTAINS SIX (6) PIZZA BOXES, (300 PCS FINISHED GOODS EACH OUTER CARTON).



ORIGINATED BY	DATE	TITLE MagJack® 10/100BT TAB DOWN, SHIELDED PATENTED	PART NO. / DRAWING NO.		STANDARD DIM.		[] METRIC DIM. AS REFERENCE		 COMPONENTS FOR A CONNECTED PLANET
Bain Liu	Jun-12-09		SI-60238-F-R		TOL. IN INCH		UNIT : INCH [mm]		
DRAWN BY	DATE		FILE NAME		.X		SCALE : N/A		
Bain Liu	Jun-12-09	SI-60238-F-R.DWG		.XX		REV. : X0			
						.XXX		SIZE : A4	
						±0.005		PAGE : 5	