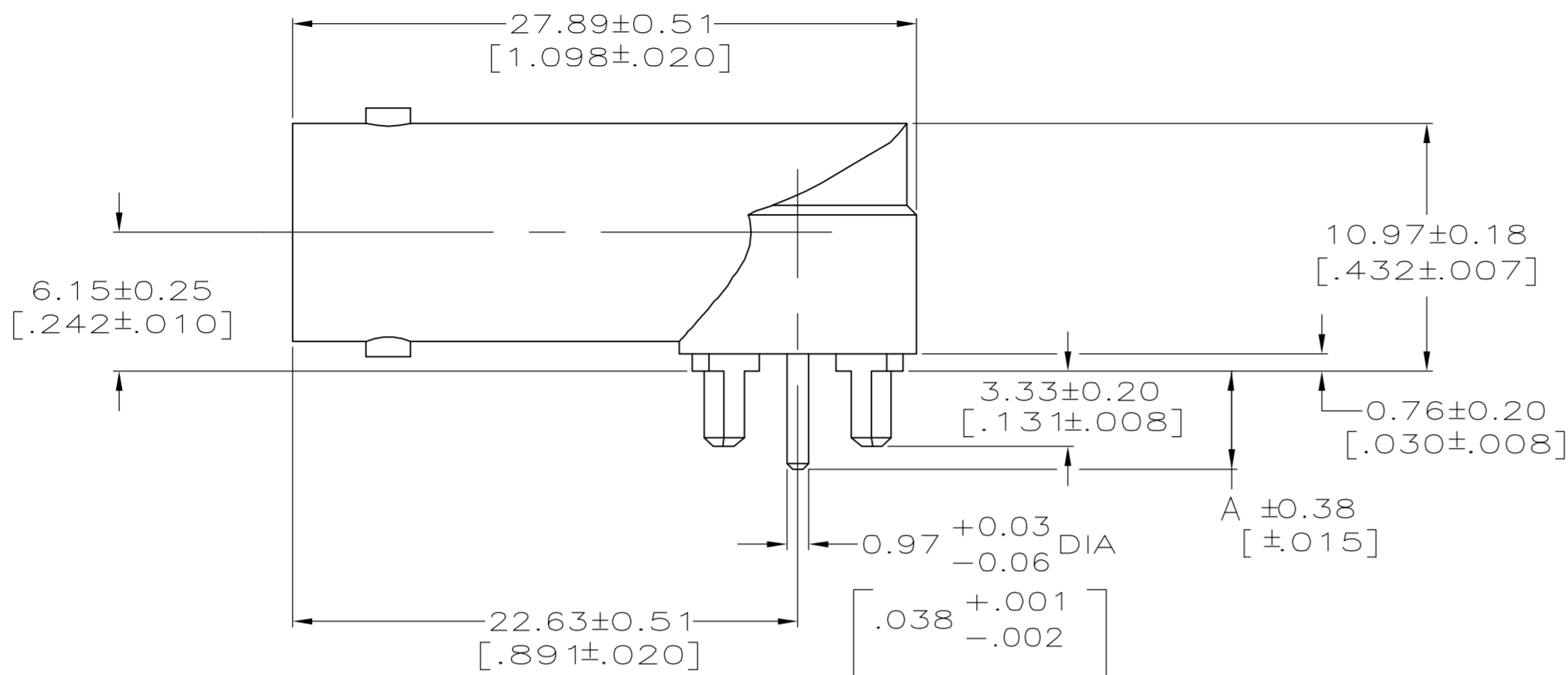
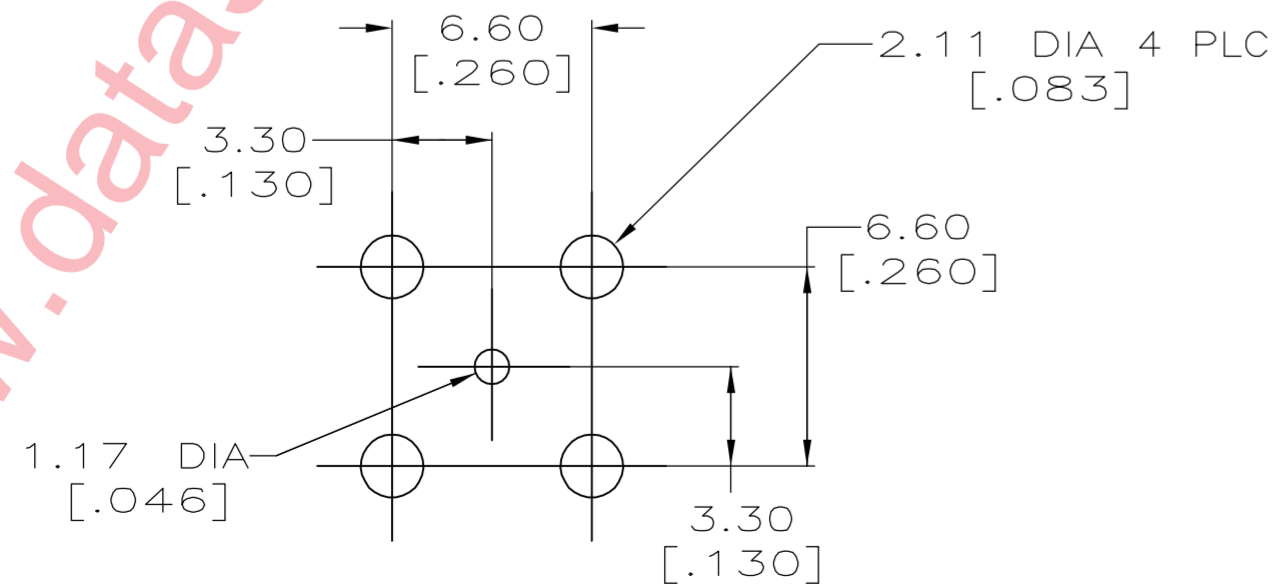
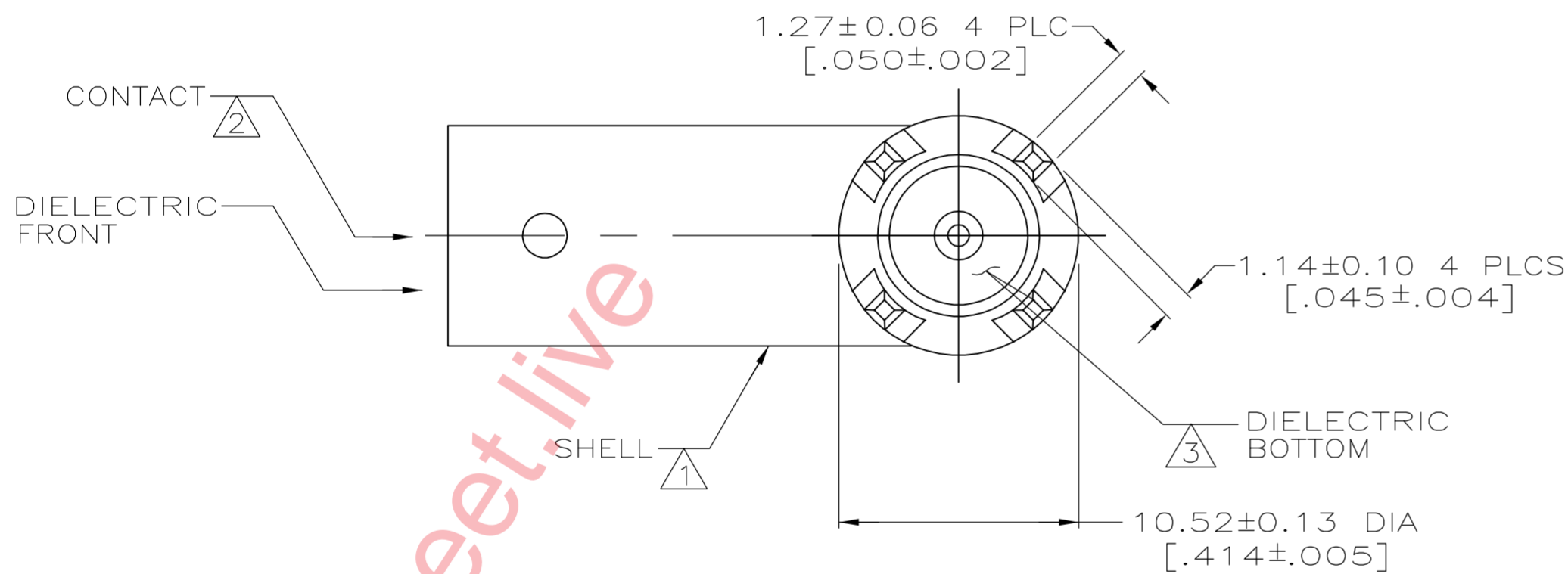


THIS DRAWING IS UNPUBLISHED. RELEASED FOR PUBLICATION  
 © COPYRIGHT BY TYCO ELECTRONICS CORPORATION. ALL RIGHTS RESERVED.

LOC	DIST	REVISIONS			
P	LTR	DESCRIPTION	DATE	DWN	APVD
AJ	16	S	REVISED PER ECO-05-013873	17NOV05	BM JL



- ① ZINC PER QQ-Z-363.
- ② BERYLLIUM COPPER PER QQ-C-530.
- ③ PTFE PER MIL-P-19468.
- ④ NICKEL PLATE PER QQ-N-290, 3.81 μm [.000150] MINIMUM THICK.
- ⑤ TIN-LEAD PLATE PER ASTM-B-545, 3.04 μm [.000120] MINIMUM THICK OVER NICKEL PLATE PER MIL-C-26074, 7.62 μm [.000300] MINIMUM THICK.
- ⑥ GOLD PLATE PER MIL-G-45204, 1.27 μm [.000050] MINIMUM THICK.
- ⑦ INTERFACE PER MIL-C-39012.
- ⑧ GOLD PLATE PER MIL-G-45204, 0.76 μm [.000030] MINIMUM THICK.
- ⑨ POLYMETHYLPENTENE: GENERAL PURPOSE



PCB CONFIGURATION

OBSOLETE	⑨	4.34 [.171]	⑧	④	413558-5
	⑨	4.34 [.171]	⑧	⑤	413558-4
	⑨	3.33 [.131]	⑥	④	413558-3
	③	4.34 [.171]	⑥	⑤	413558-2
	⑨	4.34 [.171]	⑥	④	413558-1
FRONT DIELECTRIC MATERIAL	A		CONTACT FINISH	SHELL FINISH	PART NUMBER

THIS DRAWING IS A CONTROLLED DOCUMENT.		DWN J. LIPPERT 7-1-91	Tyco Electronics Corporation Harrisburg, PA 17105-3608	
DIMENSIONS: INCHES		CHK A. GABANY 8-5-91		
TOLERANCES UNLESS OTHERWISE SPECIFIED:		APVD A. GABANY 8-5-91	NAME	
0 PLC ± -		PRODUCT SPEC	JACK, RIGHT ANGLE, PCB, 75 OHM, SERIES BNC	
1 PLC ± -		APPLICATION SPEC	108-12078	
2 PLC ± 0.08 [.003]		WEIGHT	SIZE A2	CAGE CODE 00779
3 PLC ± -		FINISH	DRAWING NO	RESTRICTED TO
4 PLC ± -		SEE NOTES 1-3	SCALE 4:1	SHEET 1 of 1
ANGLES ± -		SEE NOTES 4-6	REV S	
MATERIAL		CUSTOMER DRAWING		

www.datasheetlive

413558