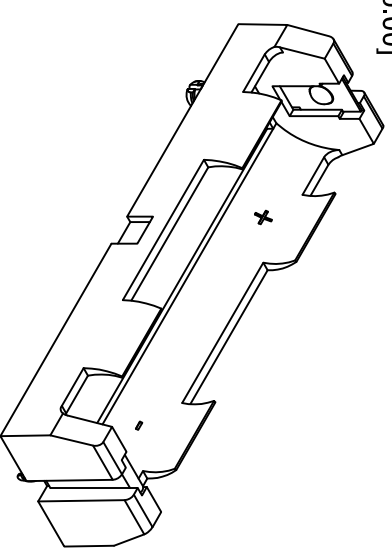
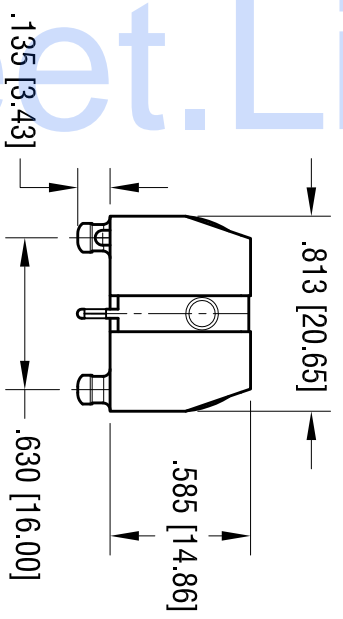
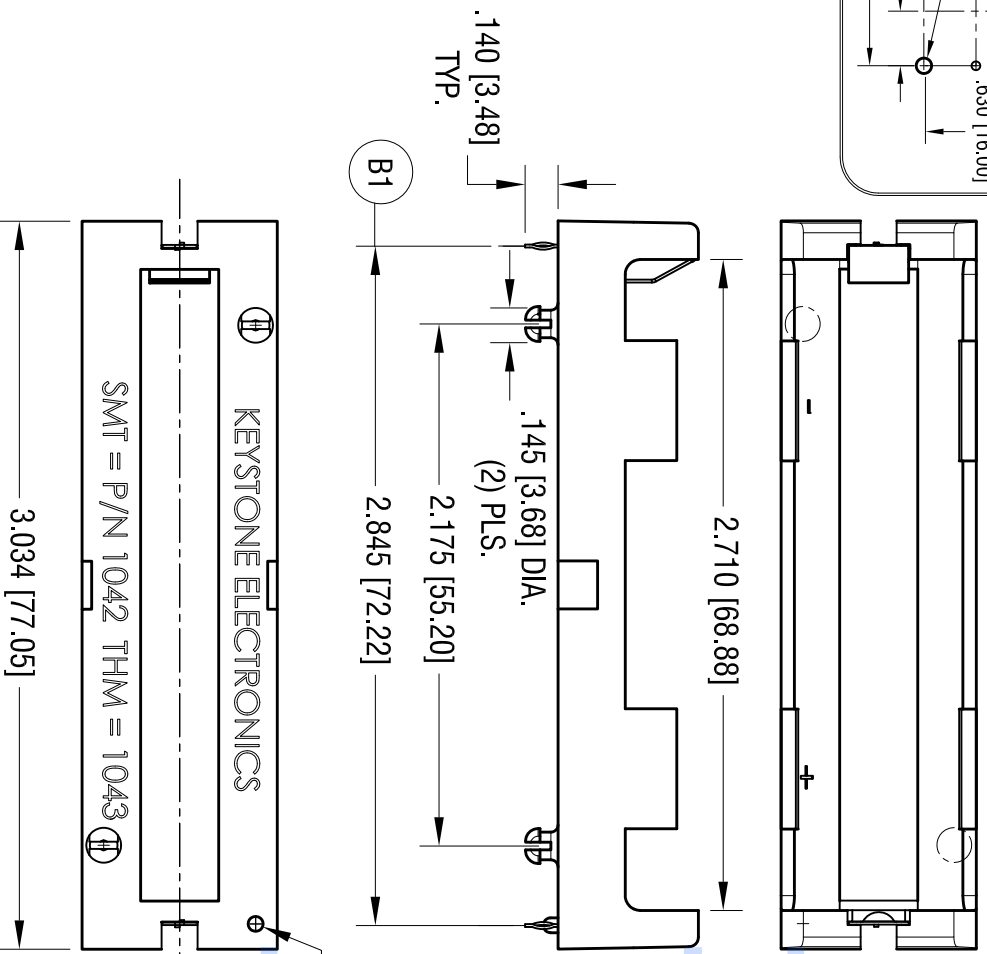
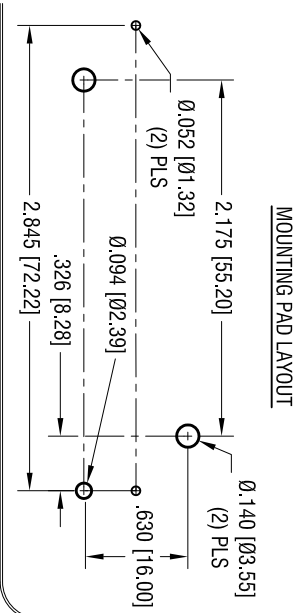


MOUNTING PAD LAYOUT



DATE	DESCRIPTION	REV.
10.08.13	CHANGE AS PER ECN 13-091	A
1.04.17	CHANGE AS PER ECN17-005 (B1) WAS 2.822 [71.64]	B

Datasheet.Live

KEYSTONE ELECTRONICS CORP.
 www.keystec.com • ASTORIA, N.Y. 11105-2017 • Tel (718) 956-8900

PART NAME: THM POLARIZED HOLDER

MATERIAL: AS NOTED

FINISH: AS NOTED

TOLERANCES: INCH [MM]

DECIMAL ± .010 [± 0.25]

ANGULAR ± 1°

CODE: C

DRN BY: NT

DATE: 7.12.13

App'D: LN

SCALE: 1.25X

1043P

- NOTE:
1. BASE: HEAT RESISTANCE NYLON STANYL 46 OR EQUIVALENT
 2. CONTACT: MAT'L: .012 [0.30] THK STAINLESS STEEL FINISH: TIN NICKEL PLATE

THIS DOCUMENT IS THE PROPERTY OF KEYSTONE ELECTRONICS CORP. AND SHALL NOT BE REPRODUCED, DISTRIBUTED OR USED AS A BASIS FOR MANUFACTURE WITHOUT PRIOR WRITTEN PERMISSION FROM KEYSTONE ELECTRONICS CORP.

Mouser Electronics

Authorized Distributor

Click to View Pricing, Inventory, Delivery & Lifecycle Information:

[Keystone Electronics:](#)

[1043P](#)