

# Resonant-Mode Power Supply Controllers

## FEATURES

- Controls Zero Current Switched (ZCS) or Zero Voltage Switched (ZVS) Quasi-Resonant Converters
- Zero-Crossing Terminated One-Shot Timer
- Precision 1%, Soft-Started 5V Reference
- Programmable Restart Delay Following Fault
- Voltage-Controlled Oscillator (VCO) with Programmable Minimum and Maximum Frequencies from 10kHz to 1MHz
- Low Start-Up Current (150µA typical)
- Dual 1 Amp Peak FET Drivers
- UVLO Option for Off-Line or DC/DC Applications

## DESCRIPTION

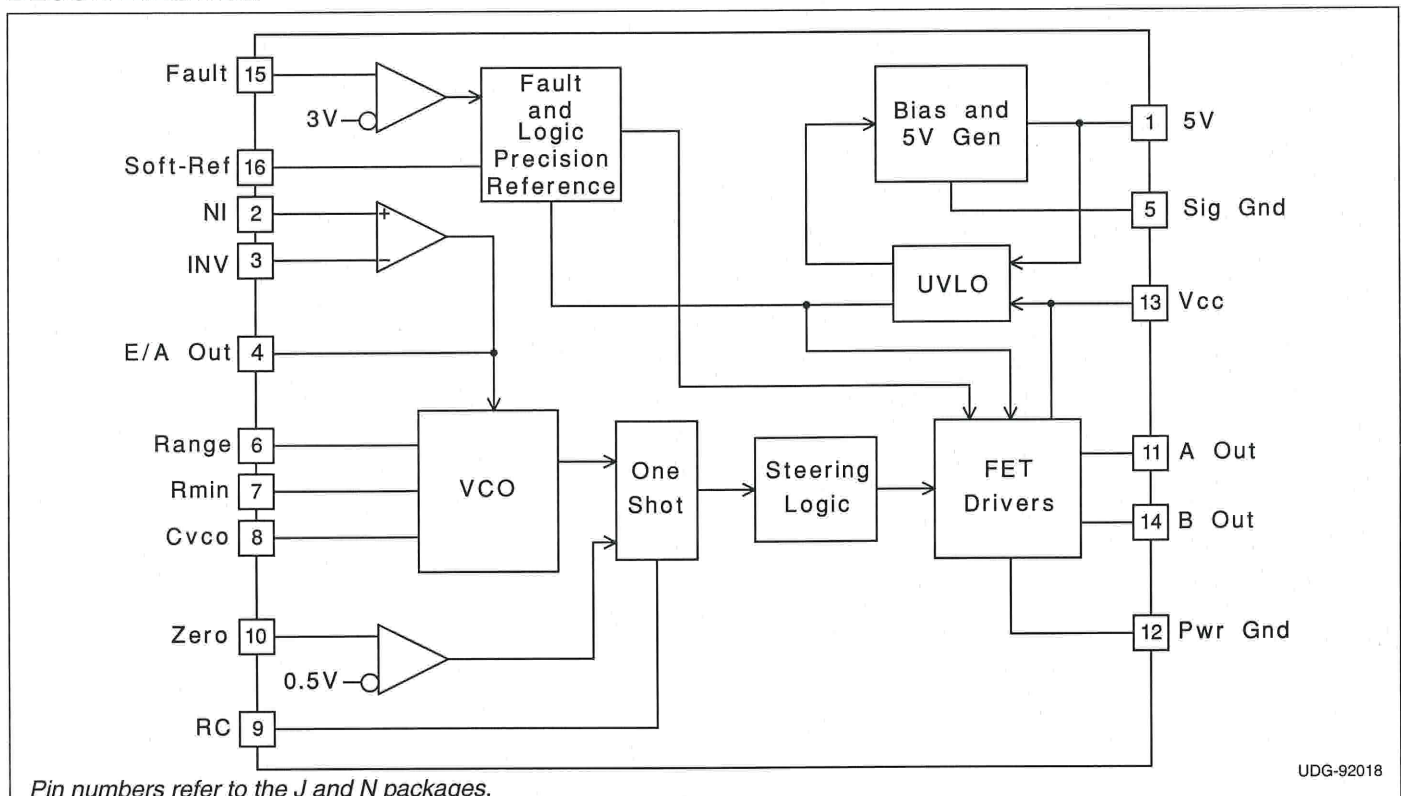
The UC1861-1868 family of ICs is optimized for the control of Zero Current Switched and Zero Voltage Switched quasi-resonant converters. Differences between members of this device family result from the various combinations of UVLO thresholds and output options. Additionally, the one-shot pulse steering logic is configured to program either on-time for ZCS systems (UC1865-1868), or off-time for ZVS applications (UC1861-1864).

The primary control blocks implemented include an error amplifier to compensate the overall system loop and to drive a voltage controlled oscillator (VCO), featuring programmable minimum and maximum frequencies. Triggered by the VCO, the one-shot generates pulses of a programmed maximum width, which can be modulated by the Zero Detection comparator. This circuit facilitates "true" zero current or voltage switching over various line, load, and temperature changes, and is also able to accommodate the resonant components' initial tolerances.

Under-Voltage Lockout is incorporated to facilitate safe starts upon power-up. The supply current during the under-voltage lockout period is typically less than 150µA, and the outputs are actively forced to the low state. (continued)

Device	1861	1862	1863	1864	1865	1866	1867	1868
UVLO	16.5/10.5	16.5/10.5	8/7	8/7	16.5/10.5	16.5/10.5	8/7	8/7
Outputs	Alternating	Parallel	Alternating	Parallel	Alternating	Parallel	Alternating	Parallel
"Fixed"	Off Time	Off Time	Off Time	Off Time	On Time	On Time	On Time	On Time

## BLOCK DIAGRAM



UDG-92018

**DESCRIPTION (cont.)**

UVLO thresholds for the UC1861/62/65/66 are 16.5V (ON) and 10.5V (OFF), whereas the UC1863/64/67/68 thresholds are 8V (ON) and 7V (OFF). After  $V_{CC}$  exceeds the UVLO threshold, a 5V generator is enabled which provides bias for the internal circuits and up to 10mA for external usage.

A Fault comparator serves to detect fault conditions and set a latch while forcing the output drivers low. The Soft-Ref pin serves three functions: providing soft start, restart

delay, and the internal system reference.

Each device features dual 1 Amp peak totem pole output drivers for direct interface to power MOSFETS. The outputs are programmed to alternate in the UC1861/63/65/67 devices. The UC1862/64/66/68 outputs operate in unison allowing a 2 Amp peak current.

**ABSOLUTE MAXIMUM RATINGS**

$V_{CC}$ .....	22V
Output Current	
Source or Sink (Pins 11 & 14) .....	0.5A
DC Pulse (0.5 $\mu$ s) .....	1.5A
Power Ground Voltage .....	$\pm 0.2V$
Inputs (Pins 2, 3, 10, & 15) .....	-0.4 to 7V
Error Amp Output Current .....	$\pm 2mA$
Power Dissipation .....	1W
Junction Temperature (Operating) .....	150°C
Lead Temperature (Soldering, 10 seconds) .....	300°C

*All voltages are with respect to signal ground and all currents are positive into the specified terminal. Pin numbers refer to the J and N packages. Consult Unitrode Integrated Circuits databook for information regarding thermal specifications and limitations of packages.*

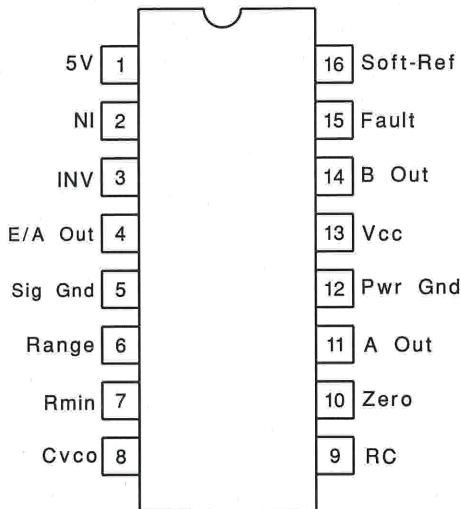
**CONNECTION DIAGRAMS**

**PLCC-20 & LCC-20 (Top View)  
 Q & L Package**



PACKAGE PIN FUNCTION	
FUNCTION	PIN
Soft Ref	1
5V	2
NI	3
INV	4
E/A Out	5
Sig Gnd	6
Range	7
RMIN	8
Cvco	9
RC	10
Zero	11
NC	12
NC	13
A Out	14
Pwr Gnd	15
Pwr Gnd	16
Vcc	17
B Out	18
NC	19
Fault	20

**DIL-16, SOIC-16 (Top View)  
 J or N, DW Packages**



**ELECTRICAL CHARACTERISTICS** Unless otherwise stated, all specifications apply for  $-55^{\circ}\text{C} \leq \text{T}_A \leq 125^{\circ}\text{C}$  for the UC186x,  $-25^{\circ}\text{C} \leq \text{T}_A \leq 85^{\circ}\text{C}$  for the UC286x, and  $0^{\circ}\text{C} \leq \text{T}_A \leq 70^{\circ}\text{C}$  for the UC386x,  $V_{\text{CC}}=12\text{V}$ ,  $C_{\text{VCO}}=1\text{nF}$ ,  $\text{Range}=7.15\text{k}$ ,  $R_{\text{MIN}}=86.6\text{k}$ ,  $C=200\text{pF}$ ,  $R=4.02\text{k}$ , and  $C_{\text{sr}}=0.1\mu\text{F}$ .  $\text{T}_A=\text{T}_J$ .

PARAMETER	TEST CONDITIONS	MIN	TYP	MAX	UNITS
<b>5V Generator</b>					
Output Voltage	$12\text{V} \leq V_{\text{CC}} \leq 20\text{V}$ , $-10\text{mA} \leq I_{\text{O}} \leq 0\text{mA}$	4.8	5.0	5.2	V
Short Circuit Current	$V_{\text{O}} = 0\text{V}$	-150		-15	mA
<b>Soft-Reference</b>					
Restart Delay Current	$V = 2\text{V}$	10	20	35	$\mu\text{A}$
Soft Start Current	$V = 2\text{V}$	-650	-500	-350	$\mu\text{A}$
Reference Voltage	$\text{T}_J = 25^{\circ}\text{C}$ , $I_{\text{O}} = 0\text{A}$	4.95	5.00	5.05	V
	$12\text{V} \leq V_{\text{CC}} \leq 20\text{V}$ , $-200\mu\text{A} \leq I_{\text{O}} \leq 200\mu\text{A}$	4.85		5.15	V
Line Regulation	$12\text{V} \leq V_{\text{CC}} \leq 20\text{V}$		2	20	mV
Load Regulation	$-200\mu\text{A} \leq I_{\text{O}} \leq 200\mu\text{A}$		10	30	mV
<b>Error Amplifier (Note 3)</b>					
Input Offset Voltage	$V_{\text{CM}} = 5\text{V}$ , $V_{\text{O}} = 2\text{V}$ , $I_{\text{O}} = 0\text{A}$	-10		10	mV
Input Bias Current	$V_{\text{CM}} = 0\text{V}$	-2.0	-0.3		$\mu\text{A}$
Voltage Gain	$V_{\text{cm}} = 5\text{V}$ , $0.5\text{V} \leq V_{\text{O}} \leq 3.7\text{V}$ , $I_{\text{O}} = 0\text{A}$	70	100		dB
Power Supply Rejection Ratio	$V_{\text{cm}} = 5\text{V}$ , $V_{\text{O}} = 2\text{V}$ , $12\text{V} \leq V_{\text{CC}} \leq 20\text{V}$	70	100		dB
<b>Error Amplifier (Note 3) (cont.)</b>					
Common Mode Rejection Ratio	$0\text{V} \leq V_{\text{cm}} \leq 6\text{V}$ , $V_{\text{O}} = 2\text{V}$	65	100		dB
V <sub>OUT</sub> Low	$V_{\text{ID}} = -100\text{mV}$ , $I_{\text{O}} = 200\mu\text{A}$		0.17	0.25	V
V <sub>OUT</sub> High	$V_{\text{ID}} = 100\text{mV}$ , $I_{\text{O}} = -200\mu\text{A}$	3.9	4.2		V
Unity Gain Bandwidth	(Note 4)	0.5	0.8		MHz
<b>Voltage Controlled Oscillator</b>					
Maximum Frequency	$V_{\text{ID}} (\text{Error Amp}) = 100\text{mV}$ , $\text{T}_J = 25^{\circ}\text{C}$	450	500	550	kHz
	$V_{\text{ID}} (\text{Error Amp}) = 100\text{mV}$	425		575	kHz
Minimum Frequency	$V_{\text{ID}} (\text{Error Amp}) = -100\text{mV}$ , $\text{T}_J = 25^{\circ}\text{C}$	45	50	55	kHz
	$V_{\text{ID}} (\text{Error Amp}) = -100\text{mV}$	42		58	kHz
<b>One Shot</b>					
Zero Comparator V <sub>th</sub>		0.45	0.50	0.55	V
Propagation Delay	(Note 4)		120	200	ns
Maximum Pulse Width	$V_{\text{ZERO}} = 1\text{V}$	850	1000	1150	ns
Maximum to Minimum Pulse Width Ratio	$V_{\text{ZERO}} = 0\text{V}$ UCx861 – UCx864	2.5	4	5.5	
	$V_{\text{ZERO}} = 0\text{V}$ UCx865 – UCx868. $-55^{\circ}\text{C}$ to $+85^{\circ}\text{C}$	4	5.5	7	
	$V_{\text{ZERO}} = 0\text{V}$ UCx865 – UCx868, $+125^{\circ}\text{C}$	3.8	5.5	7	
<b>Output Stage</b>					
Rise and Fall Time	$C_{\text{LOAD}} = 1\text{nF}$ (Note 4)		25	45	ns
Output Low Saturation	$I_{\text{O}} = 20\text{mA}$		0.2	0.5	V
	$I_{\text{O}} = 200\text{mA}$		0.5	2.2	V
Output High Saturation	$I_{\text{O}} = -200\text{mA}$ , down from $V_{\text{CC}}$		1.7	2.5	V
UVLO Low Saturation	$I_{\text{O}} = 20\text{mA}$		0.8	1.5	V
<b>Fault Comparator</b>					
Fault Comparator V <sub>th</sub>		2.85	3.00	3.15	V
Delay to Output	(Note 4) (Note 5)		100	200	ns



**ELECTRICAL CHARACTERISTICS** Unless otherwise stated, all specifications apply for  $-55^{\circ}\text{C} \leq T_A \leq 125^{\circ}\text{C}$  for the UC186x,  $-25^{\circ}\text{C} \leq T_A \leq 85^{\circ}\text{C}$  for the UC286x, and  $0^{\circ}\text{C} \leq T_A \leq 70^{\circ}\text{C}$  for the UC386x,  $V_{\text{CC}}=12\text{V}$ ,  $C_{\text{VCO}}=1\text{nF}$ ,  $\text{Range}=7.15\text{k}$ ,  $R_{\text{MIN}}=86.6\text{k}$ ,  $C=200\text{pF}$ ,  $R=4.02\text{k}$ , and  $C_{\text{sr}}=0.1\mu\text{F}$ .  $T_A=T_J$ .

PARAMETER	TEST CONDITIONS	MIN	TYP	MAX	UNITS
<b>UVLO</b>					
Vcc Turn-on Threshold	UCx861, UCx862, UCx865, UCx866	15	16.5	18	V
	UCx863, UCx864, UCx867, UCx868	7	8.0	9	V
Vcc Turn-off Threshold	UCx861, UCx862, UCx865, UCx866	9.5	10.5	11.5	V
	UCx863, UCx864, UCx867, UCx868	6	7.0	8	V
Icc Start	$V_{\text{CC}} = V_{\text{CC}(\text{on})} - 0.3\text{V}$		150	300	$\mu\text{A}$
Icc Run	$V_{\text{ID}} = 100\text{mV}$		25	32	$\text{mA}$

Note 1: Currents are defined as positive into the pin.

Note 2: Pulse measurement techniques are used to insure that  $T_J = T_A$ .

Note 3:  $V_{\text{ID}} = V(\text{NI}) - V(\text{INV})$ .

Note 4: This parameter is not 100% tested in production but guaranteed by design.

Note 5:  $V_i = 0$  to  $4\text{V}$        $t_r(V_i) = 10\text{ns}$        $t_{\text{pd}} = t(V_o = 6\text{V}) - t(V_i = 3\text{V})$

## APPLICATION INFORMATION

**UVLO & 5V GENERATOR (See Figure 1):** When power is applied to the chip and  $V_{\text{CC}}$  is less than the upper UVLO threshold,  $I_{\text{CC}}$  will be less than  $300\mu\text{A}$ , the 5V generator will be off, and the outputs will be actively held low.

When  $V_{\text{CC}}$  exceeds the upper UVLO threshold, the 5V generator turns on. Until the 5V pin exceeds  $4.9\text{V}$ , the outputs will still remain low.

The 5V pin should be bypassed to signal ground with a  $0.1\mu\text{F}$  capacitor. The capacitor should have low equivalent series resistance and inductance.

**FAULT AND SOFT-REFERENCE (See Figure 1):** The Soft-Ref pin serves three functions: system reference, restart delay, and soft-start. Designed to source or sink  $200\mu\text{A}$ , this pin should be used as the input reference for the error amplifier circuit. This pin requires a bypass capacitor of at least  $0.1\mu\text{F}$ . This yields a minimum soft-start time of  $1\text{ms}$ .

Under-Voltage Lockout sets both the fault and restart delay latches. This holds the outputs low and discharges the Soft-Ref pin. After UVLO, the fault latch is reset by the low voltage on the Soft-Ref pin. The reset fault latch resets the delay latch and Soft-Ref charges via the  $0.5\text{mA}$  current source.

The fault pin is input to a high speed comparator with a threshold of  $3\text{V}$ . In the event of a detected fault, the fault latch is set and the outputs are driven low. If Soft-Ref is above  $4\text{V}$ , the delay latch is set. Restart delay is timed as Soft-Ref is discharged by  $20\mu\text{A}$ . When Soft-Ref is fully discharged, the fault latch is reset if the fault input signal is low. The Fault pin can be used as a system shutdown pin.

If a fault is detected during soft-start, the fault latch is set and the outputs are driven low. The delay latch will remain reset until Soft-Ref charges to  $4\text{V}$ . This sets the delay latch, and restart delay is timed. Note that restart delay for a single fault event is longer than for recurring faults since Soft-Ref must be discharged from  $5\text{V}$  instead of  $4\text{V}$ .

The restart delay to soft-start time ratio is 24:1 for a fault occurring during normal operation and 19:1 for faults occurring during soft-start. Shorter ratios can be programmed down to a limit of approximately 3:1 by the addition of a  $20\text{k}\Omega$  or larger resistor from Soft-Ref to ground.

A  $100\text{k}\Omega$  resistor from Soft-Ref to  $5\text{V}$  will have the effect of permanent shut down after a fault since the internal  $20\mu\text{A}$  current source can't pull Soft-Ref low. This feature can be used to require recycling  $V_{\text{CC}}$  after a fault. Care must be taken to insure Soft-Ref is indeed low at start up, or the fault latch will never be reset.

APPLICATION INFORMATION

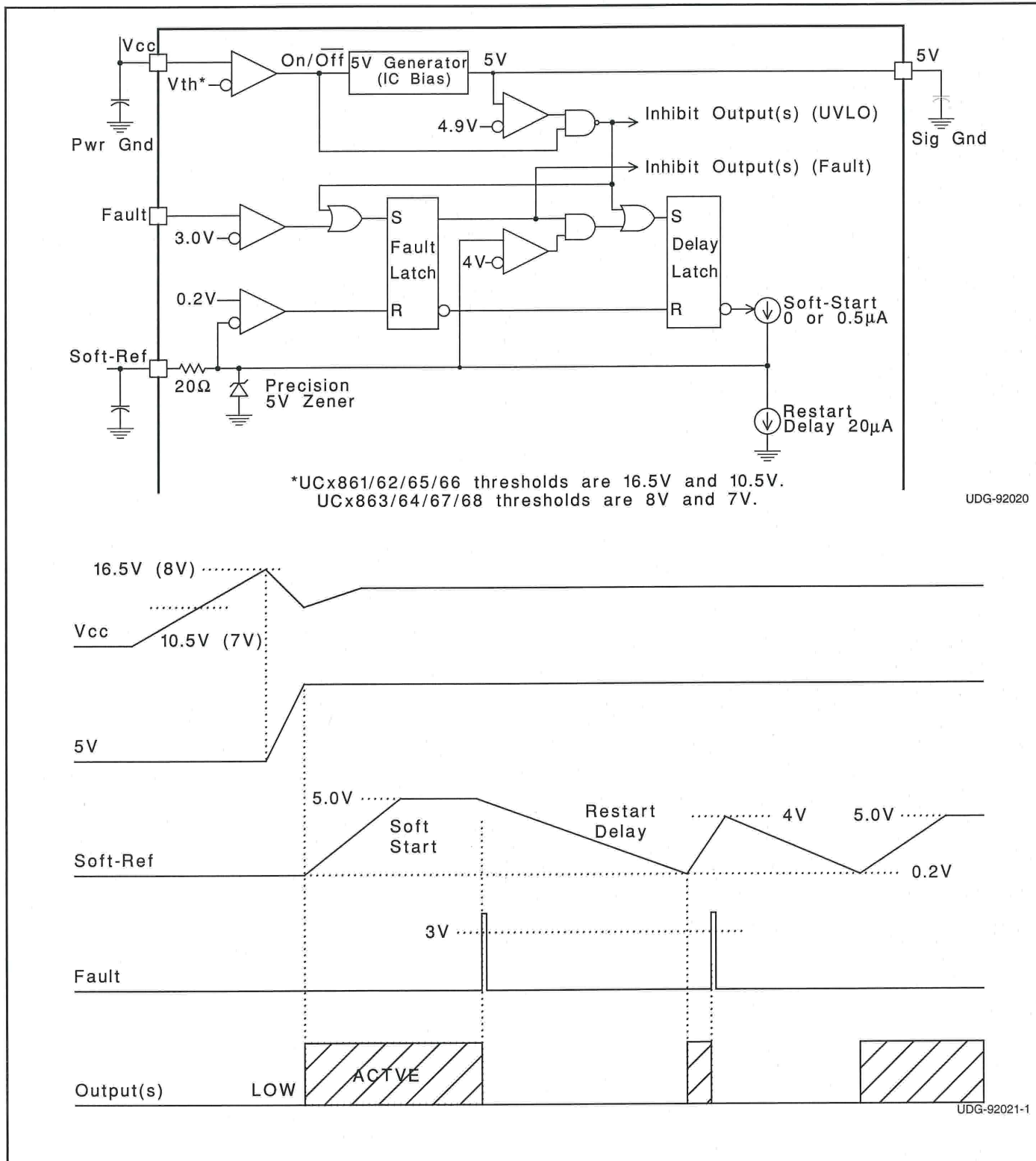
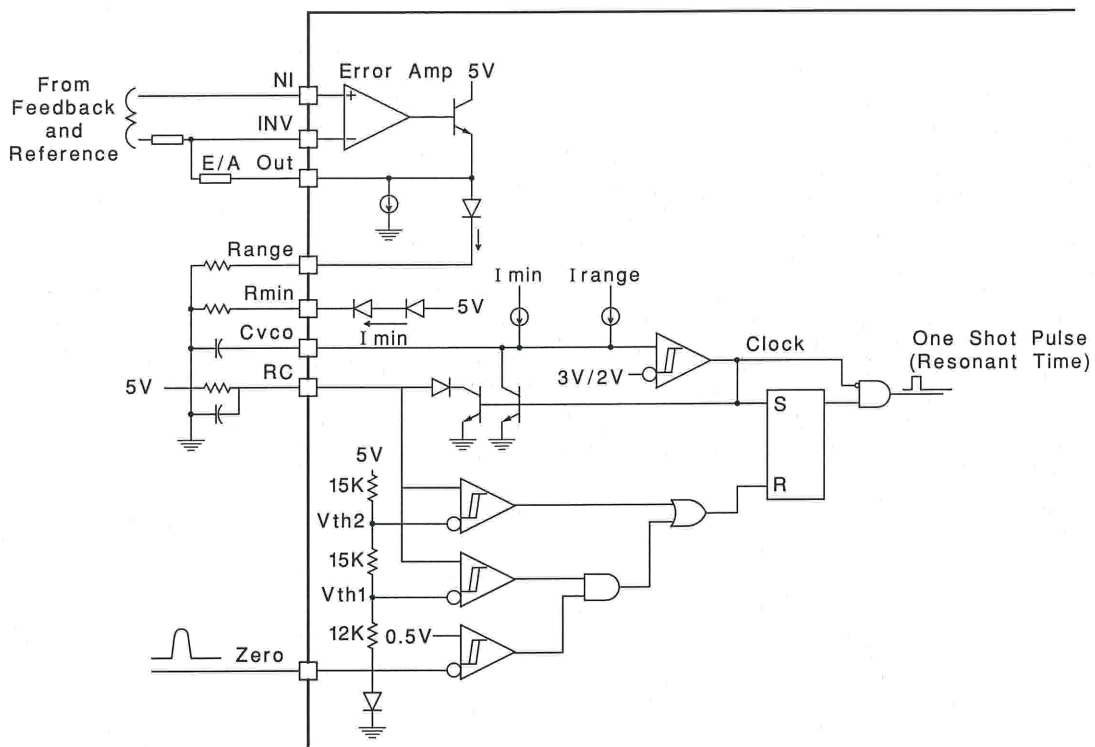
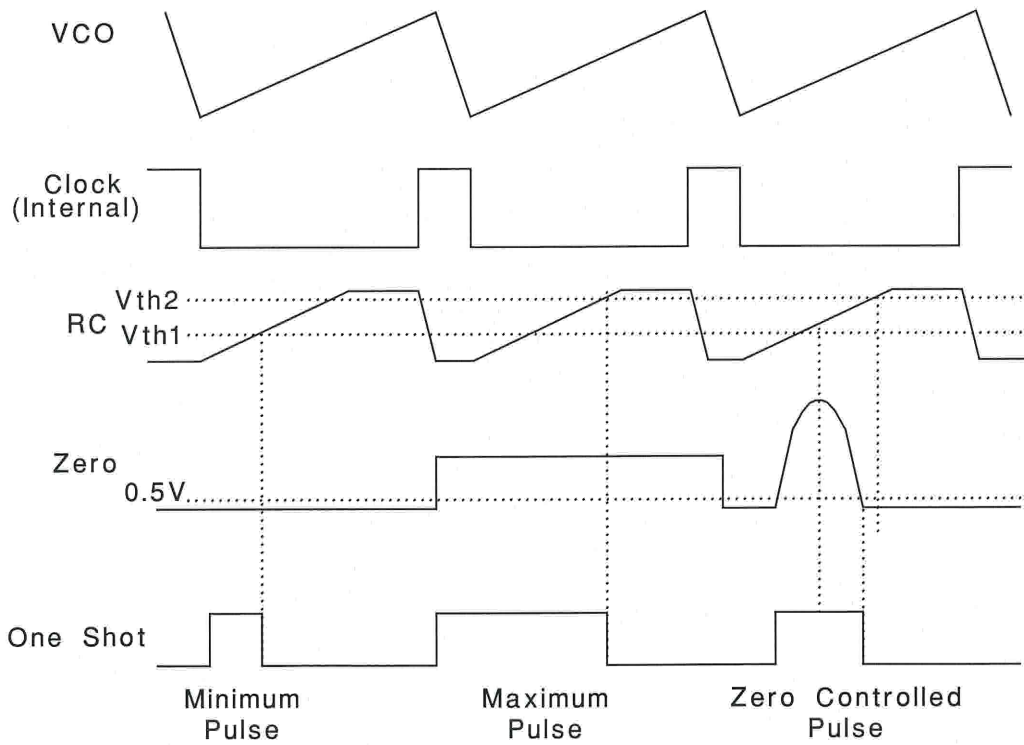


Figure 1. UVLO, 5V, fault and soft-ref.



UDG-92022-1



UDG-92023-1

Figure 2. Error Amp, Voltage Controlled Oscillator, and One Shot

## APPLICATION INFORMATION

Minimum oscillator frequency is set by  $R_{min}$  and  $C_{VCO}$ . The minimum frequency is approximately given by the equation:

$$F_{MIN} \cong \frac{3.6}{R_{MIN} \cdot C_{VCO}}$$

Maximum oscillator frequency is set by  $R_{min}$ , Range &  $C_{VCO}$ . The maximum frequency is approximately given by the equation:

$$F_{MAX} \cong \frac{3.6}{(R_{MIN} // Range) \cdot C_{VCO}}$$

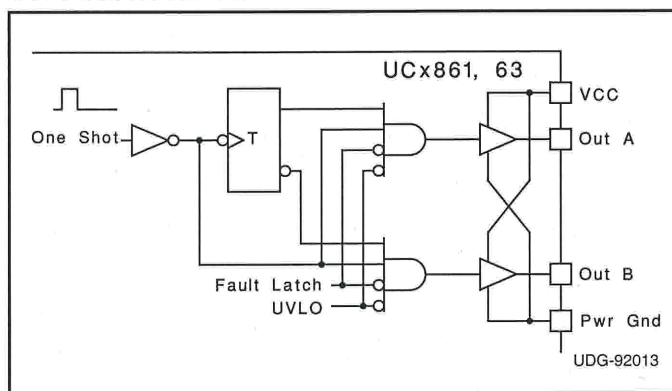
The Error Amplifier directly controls the oscillator frequency. E/A output low corresponds to minimum frequency and output high corresponds to maximum frequency. At the end of each oscillator cycle, the RC pin is discharged to one diode drop above ground. At the beginning of the oscillator cycle,  $V(RC)$  is less than  $V_{th1}$  and so the output of the zero detect comparator is ignored. After  $V(RC)$  exceeds  $V_{th1}$ , the one shot pulse will be terminated as soon as the zero pin falls below 0.5V or  $V(RC)$  exceeds  $V_{th2}$ . The minimum one shot pulse width is approximately given by the equation:

$$Tp_{w(min)} \cong 0.3 R C.$$

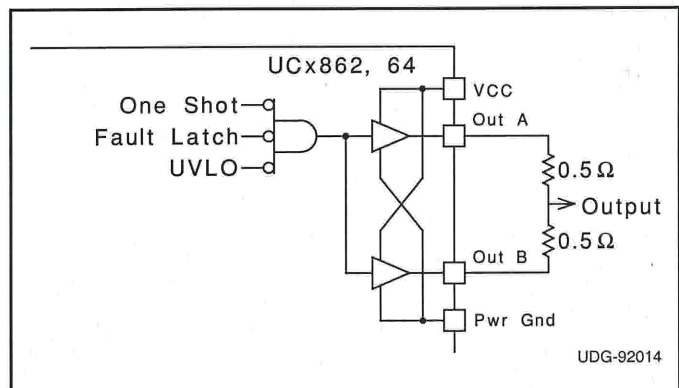
The maximum pulse width is approximately given by:

$$Tp_{w(max)} \cong 1.2 R C.$$

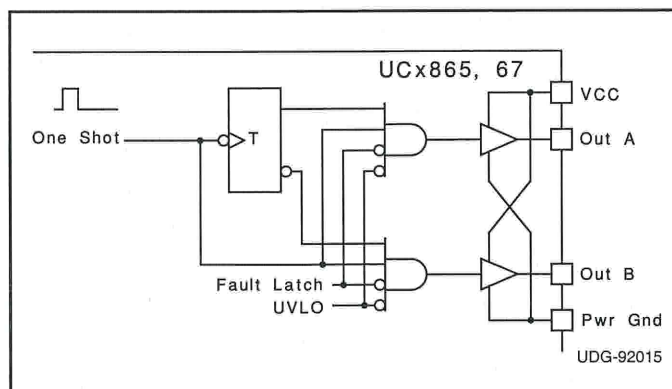
## STEERING LOGIC



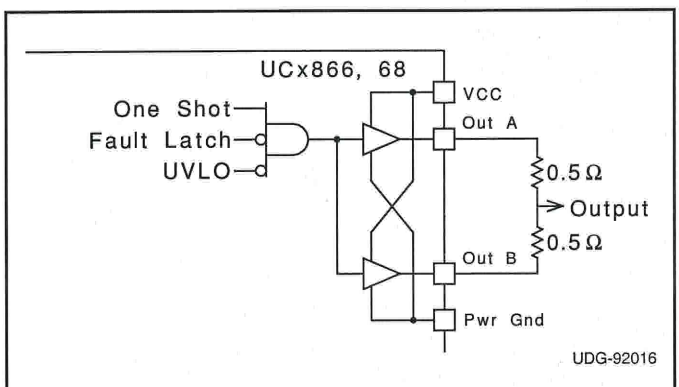
The steering logic is configured on the UC1861,63 to result in dual non-overlapping square waves at outputs A & B. This is suited to drive dual switch ZVS systems.



The steering logic is configured on the UC1862,64 to result in inverted pulse trains occurring identically at both output pins. This is suited to drive single switch ZVS systems. Both outputs are available to drive the same MOSFET gate. It is advisable to join the pins with 0.5 ohm resistors.



The steering logic is configured on the UC1865,67 to result in alternating pulse trains at outputs A & B. This is suited to drive dual switch ZCS systems.



The steering logic is configured on the UC1866,68 to result in non-inverted pulse trains occurring identically at both output pins. This is suited to drive single switch ZCS systems. Both outputs are available to drive the same MOSFET gate. It is advisable to join the pins with 0.5 ohm resistors.

APPLICATION INFORMATION (cont.)

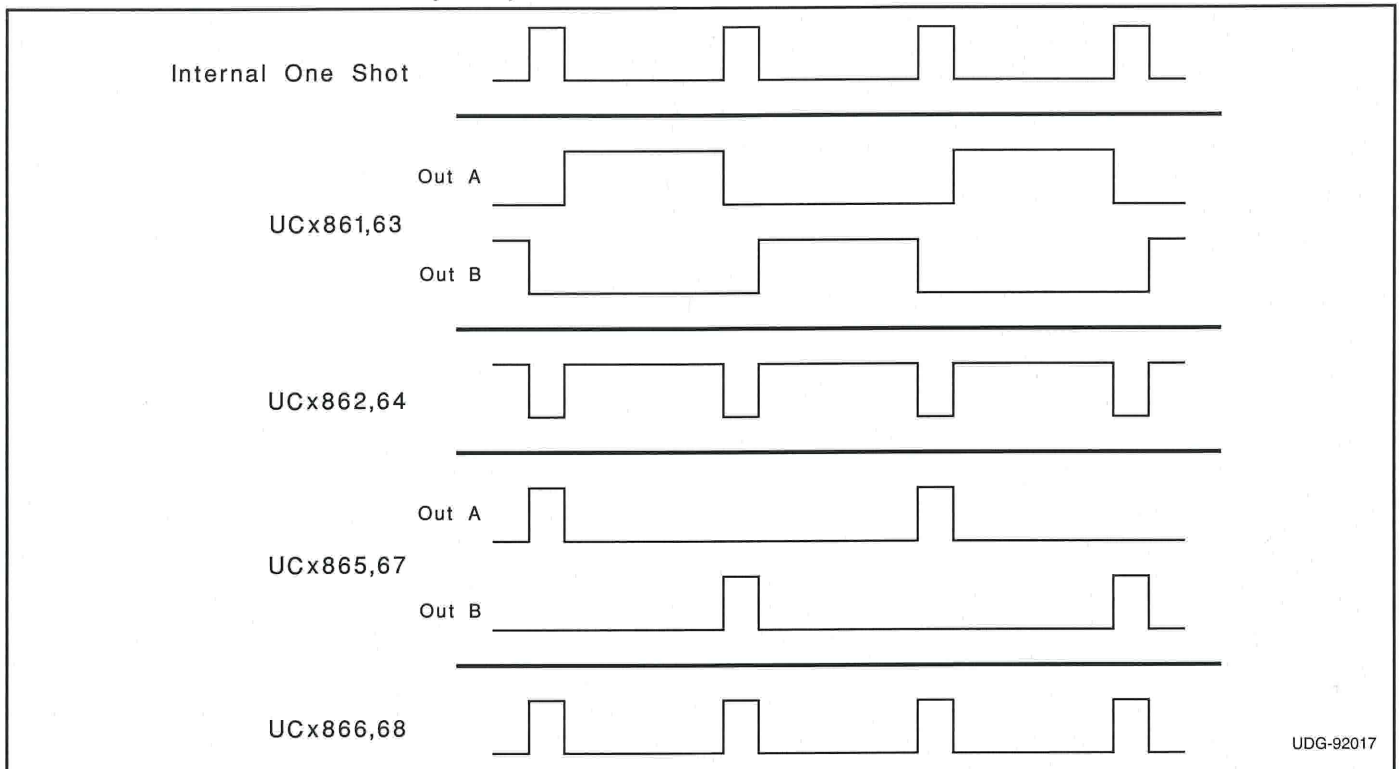


Figure 3. Current waveforms.



**PACKAGING INFORMATION**

Orderable Device	Status <sup>(1)</sup>	Package Type	Package Drawing	Pins	Package Qty	Eco Plan <sup>(2)</sup>	Lead/ Ball Finish	MSL Peak Temp <sup>(3)</sup>	Samples (Requires Login)
5962-9203101M2A	OBSOLETE	LCCC	FK	20		TBD	Call TI	Call TI	
5962-9203101MEA	OBSOLETE	CDIP	J	16		TBD	Call TI	Call TI	
5962-9203102MEA	OBSOLETE	CDIP	J	16		TBD	Call TI	Call TI	
5962-9203103Q2A	ACTIVE	LCCC	FK	20	1	TBD	POST-PLATE	N / A for Pkg Type	
5962-9203103QEA	ACTIVE	CDIP	J	16	1	TBD	Call TI	Call TI	
UC1861J	OBSOLETE	CDIP	J	16		TBD	Call TI	Call TI	
UC1861J883B	OBSOLETE	CDIP	J	16		TBD	Call TI	Call TI	
UC1863J	ACTIVE	CDIP	J	16	1	TBD	A42	N / A for Pkg Type	
UC1863J883B	ACTIVE	CDIP	J	16	1	TBD	A42	N / A for Pkg Type	
UC1863L	ACTIVE	LCCC	FK	20	1	TBD	POST-PLATE	N / A for Pkg Type	
UC1863L883B	ACTIVE	LCCC	FK	20	1	TBD	POST-PLATE	N / A for Pkg Type	
UC1864J	OBSOLETE	CDIP	J	16		TBD	Call TI	Call TI	
UC1864J883B	OBSOLETE	CDIP	J	16		TBD	Call TI	Call TI	
UC1864L	OBSOLETE	LCCC	FK	20		TBD	Call TI	Call TI	
UC1864L883B	OBSOLETE	LCCC	FK	20		TBD	Call TI	Call TI	
UC1865J	OBSOLETE	CDIP	J	16		TBD	Call TI	Call TI	
UC1865J883B	OBSOLETE	CDIP	J	16		TBD	Call TI	Call TI	
UC1867J	OBSOLETE	CDIP	J	16		TBD	Call TI	Call TI	
UC1867L	OBSOLETE	LCCC	FK	20		TBD	Call TI	Call TI	
UC2861DW	ACTIVE	SOIC	DW	16	40	Green (RoHS & no Sb/Br)	CU NIPDAU	Level-2-260C-1 YEAR	
UC2861DWG4	ACTIVE	SOIC	DW	16	40	Green (RoHS & no Sb/Br)	CU NIPDAU	Level-2-260C-1 YEAR	
UC2861Q	ACTIVE	PLCC	FN	20	46	Green (RoHS & no Sb/Br)	CU SN	Level-2-260C-1 YEAR	
UC2861QG3	ACTIVE	PLCC	FN	20	46	Green (RoHS & no Sb/Br)	CU SN	Level-2-260C-1 YEAR	
UC2863DW	ACTIVE	SOIC	DW	16	40	Green (RoHS & no Sb/Br)	CU NIPDAU	Level-2-260C-1 YEAR	
UC2863DWG4	ACTIVE	SOIC	DW	16	40	Green (RoHS & no Sb/Br)	CU NIPDAU	Level-2-260C-1 YEAR	

Orderable Device	Status <sup>(1)</sup>	Package Type	Package Drawing	Pins	Package Qty	Eco Plan <sup>(2)</sup>	Lead/ Ball Finish	MSL Peak Temp <sup>(3)</sup>	Samples (Requires Login)
UC2863N	ACTIVE	PDIP	N	16	25	Green (RoHS & no Sb/Br)	CU NIPDAU	N / A for Pkg Type	
UC2863NG4	ACTIVE	PDIP	N	16	25	Green (RoHS & no Sb/Br)	CU NIPDAU	N / A for Pkg Type	
UC2864DW	ACTIVE	SOIC	DW	16	40	Green (RoHS & no Sb/Br)	CU NIPDAU	Level-2-260C-1 YEAR	
UC2864DWG4	ACTIVE	SOIC	DW	16	40	Green (RoHS & no Sb/Br)	CU NIPDAU	Level-2-260C-1 YEAR	
UC2865N	ACTIVE	PDIP	N	16	25	Green (RoHS & no Sb/Br)	CU NIPDAU	N / A for Pkg Type	
UC2865NG4	ACTIVE	PDIP	N	16	25	Green (RoHS & no Sb/Br)	CU NIPDAU	N / A for Pkg Type	
UC2866N	ACTIVE	PDIP	N	16	25	Green (RoHS & no Sb/Br)	CU NIPDAU	N / A for Pkg Type	
UC2866NG4	ACTIVE	PDIP	N	16	25	Green (RoHS & no Sb/Br)	CU NIPDAU	N / A for Pkg Type	
UC3861DW	ACTIVE	SOIC	DW	16	40	Green (RoHS & no Sb/Br)	CU NIPDAU	Level-2-260C-1 YEAR	
UC3861DWG4	ACTIVE	SOIC	DW	16	40	Green (RoHS & no Sb/Br)	CU NIPDAU	Level-2-260C-1 YEAR	
UC3861N	ACTIVE	PDIP	N	16	25	Green (RoHS & no Sb/Br)	CU NIPDAU	N / A for Pkg Type	
UC3861NG4	ACTIVE	PDIP	N	16	25	Green (RoHS & no Sb/Br)	CU NIPDAU	N / A for Pkg Type	
UC3862N	ACTIVE	PDIP	N	16	25	Green (RoHS & no Sb/Br)	CU NIPDAU	N / A for Pkg Type	
UC3862NG4	ACTIVE	PDIP	N	16	25	Green (RoHS & no Sb/Br)	CU NIPDAU	N / A for Pkg Type	
UC3863DW	ACTIVE	SOIC	DW	16	40	Green (RoHS & no Sb/Br)	CU NIPDAU	Level-2-260C-1 YEAR	
UC3863DWG4	ACTIVE	SOIC	DW	16	40	Green (RoHS & no Sb/Br)	CU NIPDAU	Level-2-260C-1 YEAR	
UC3863N	ACTIVE	PDIP	N	16	25	Green (RoHS & no Sb/Br)	CU NIPDAU	N / A for Pkg Type	
UC3863NG4	ACTIVE	PDIP	N	16	25	Green (RoHS & no Sb/Br)	CU NIPDAU	N / A for Pkg Type	

Orderable Device	Status <sup>(1)</sup>	Package Type	Package Drawing	Pins	Package Qty	Eco Plan <sup>(2)</sup>	Lead/ Ball Finish	MSL Peak Temp <sup>(3)</sup>	Samples (Requires Login)
UC3864N	ACTIVE	PDIP	N	16	25	Green (RoHS & no Sb/Br)	CU NIPDAU	N / A for Pkg Type	
UC3864NG4	ACTIVE	PDIP	N	16	25	Green (RoHS & no Sb/Br)	CU NIPDAU	N / A for Pkg Type	
UC3865DW	ACTIVE	SOIC	DW	16	40	Green (RoHS & no Sb/Br)	CU NIPDAU	Level-2-260C-1 YEAR	
UC3865DWG4	ACTIVE	SOIC	DW	16	40	Green (RoHS & no Sb/Br)	CU NIPDAU	Level-2-260C-1 YEAR	
UC3865N	ACTIVE	PDIP	N	16	25	Green (RoHS & no Sb/Br)	CU NIPDAU	N / A for Pkg Type	
UC3865NG4	ACTIVE	PDIP	N	16	25	Green (RoHS & no Sb/Br)	CU NIPDAU	N / A for Pkg Type	
UC3865Q	ACTIVE	PLCC	FN	20	46	Green (RoHS & no Sb/Br)	CU SN	Level-2-260C-1 YEAR	
UC3865QG3	ACTIVE	PLCC	FN	20	46	Green (RoHS & no Sb/Br)	CU SN	Level-2-260C-1 YEAR	
UC3867DW	ACTIVE	SOIC	DW	16	40	Green (RoHS & no Sb/Br)	CU NIPDAU	Level-2-260C-1 YEAR	
UC3867DWG4	ACTIVE	SOIC	DW	16	40	Green (RoHS & no Sb/Br)	CU NIPDAU	Level-2-260C-1 YEAR	
UC3867DWTR	ACTIVE	SOIC	DW	16	2000	Green (RoHS & no Sb/Br)	CU NIPDAU	Level-2-260C-1 YEAR	
UC3867DWTRG4	ACTIVE	SOIC	DW	16	2000	Green (RoHS & no Sb/Br)	CU NIPDAU	Level-2-260C-1 YEAR	
UC3867N	ACTIVE	PDIP	N	16	25	Green (RoHS & no Sb/Br)	CU NIPDAU	N / A for Pkg Type	
UC3867NG4	ACTIVE	PDIP	N	16	25	Green (RoHS & no Sb/Br)	CU NIPDAU	N / A for Pkg Type	
UC3868N	ACTIVE	PDIP	N	16	25	Green (RoHS & no Sb/Br)	CU NIPDAU	N / A for Pkg Type	
UC3868NG4	ACTIVE	PDIP	N	16	25	Green (RoHS & no Sb/Br)	CU NIPDAU	N / A for Pkg Type	

<sup>(1)</sup> The marketing status values are defined as follows:

**ACTIVE:** Product device recommended for new designs.

**LIFEBUY:** TI has announced that the device will be discontinued, and a lifetime-buy period is in effect.

**NRND:** Not recommended for new designs. Device is in production to support existing customers, but TI does not recommend using this part in a new design.

---

**PREVIEW:** Device has been announced but is not in production. Samples may or may not be available.

**OBSOLETE:** TI has discontinued the production of the device.

<sup>(2)</sup> Eco Plan - The planned eco-friendly classification: Pb-Free (RoHS), Pb-Free (RoHS Exempt), or Green (RoHS & no Sb/Br) - please check <http://www.ti.com/productcontent> for the latest availability information and additional product content details.

**TBD:** The Pb-Free/Green conversion plan has not been defined.

**Pb-Free (RoHS):** TI's terms "Lead-Free" or "Pb-Free" mean semiconductor products that are compatible with the current RoHS requirements for all 6 substances, including the requirement that lead not exceed 0.1% by weight in homogeneous materials. Where designed to be soldered at high temperatures, TI Pb-Free products are suitable for use in specified lead-free processes.

**Pb-Free (RoHS Exempt):** This component has a RoHS exemption for either 1) lead-based flip-chip solder bumps used between the die and package, or 2) lead-based die adhesive used between the die and leadframe. The component is otherwise considered Pb-Free (RoHS compatible) as defined above.

**Green (RoHS & no Sb/Br):** TI defines "Green" to mean Pb-Free (RoHS compatible), and free of Bromine (Br) and Antimony (Sb) based flame retardants (Br or Sb do not exceed 0.1% by weight in homogeneous material)

<sup>(3)</sup> MSL, Peak Temp. -- The Moisture Sensitivity Level rating according to the JEDEC industry standard classifications, and peak solder temperature.

**Important Information and Disclaimer:** The information provided on this page represents TI's knowledge and belief as of the date that it is provided. TI bases its knowledge and belief on information provided by third parties, and makes no representation or warranty as to the accuracy of such information. Efforts are underway to better integrate information from third parties. TI has taken and continues to take reasonable steps to provide representative and accurate information but may not have conducted destructive testing or chemical analysis on incoming materials and chemicals. TI and TI suppliers consider certain information to be proprietary, and thus CAS numbers and other limited information may not be available for release.

In no event shall TI's liability arising out of such information exceed the total purchase price of the TI part(s) at issue in this document sold by TI to Customer on an annual basis.

**OTHER QUALIFIED VERSIONS OF UC1861, UC1863, UC1864, UC1865, UC1867, UC3861, UC3863, UC3864, UC3865, UC3867 :**

- Catalog: [UC3861](#), [UC3863](#), [UC3864](#), [UC3865](#), [UC3867](#)
- Military: [UC1861](#), [UC1863](#), [UC1864](#), [UC1865](#), [UC1867](#)
- Space: [UC1863-SP](#)

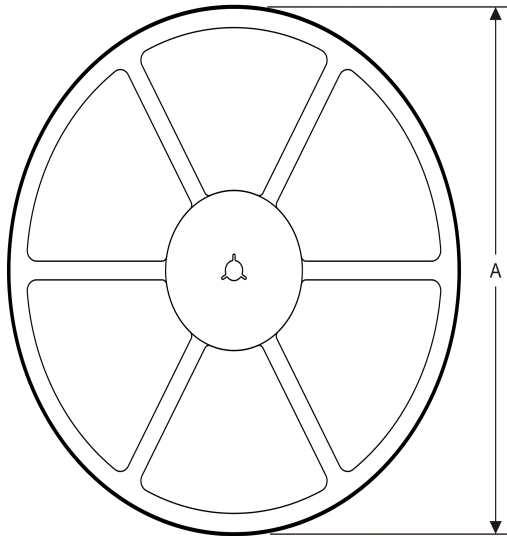
NOTE: Qualified Version Definitions:

- Catalog - TI's standard catalog product
- Military - QML certified for Military and Defense Applications
- Space - Radiation tolerant, ceramic packaging and qualified for use in Space-based application



**TAPE AND REEL INFORMATION**

**REEL DIMENSIONS**



**TAPE DIMENSIONS**



A0	Dimension designed to accommodate the component width
B0	Dimension designed to accommodate the component length
K0	Dimension designed to accommodate the component thickness
W	Overall width of the carrier tape
P1	Pitch between successive cavity centers

**TAPE AND REEL INFORMATION**

\*All dimensions are nominal

Device	Package Type	Package Drawing	Pins	SPQ	Reel Diameter (mm)	Reel Width W1 (mm)	A0 (mm)	B0 (mm)	K0 (mm)	P1 (mm)	W (mm)	Pin1 Quadrant
UC3867DWTR	SOIC	DW	16	2000	330.0	16.4	10.75	10.7	2.7	12.0	16.0	Q1

TAPE AND REEL BOX DIMENSIONS



\*All dimensions are nominal

Device	Package Type	Package Drawing	Pins	SPQ	Length (mm)	Width (mm)	Height (mm)
UC3867DWTR	SOIC	DW	16	2000	367.0	367.0	38.0

## IMPORTANT NOTICE

Texas Instruments Incorporated and its subsidiaries (TI) reserve the right to make corrections, enhancements, improvements and other changes to its semiconductor products and services per JESD46C and to discontinue any product or service per JESD48B. Buyers should obtain the latest relevant information before placing orders and should verify that such information is current and complete. All semiconductor products (also referred to herein as "components") are sold subject to TI's terms and conditions of sale supplied at the time of order acknowledgment.

TI warrants performance of its components to the specifications applicable at the time of sale, in accordance with the warranty in TI's terms and conditions of sale of semiconductor products. Testing and other quality control techniques are used to the extent TI deems necessary to support this warranty. Except where mandated by applicable law, testing of all parameters of each component is not necessarily performed.

TI assumes no liability for applications assistance or the design of Buyers' products. Buyers are responsible for their products and applications using TI components. To minimize the risks associated with Buyers' products and applications, Buyers should provide adequate design and operating safeguards.

TI does not warrant or represent that any license, either express or implied, is granted under any patent right, copyright, mask work right, or other intellectual property right relating to any combination, machine, or process in which TI components or services are used. Information published by TI regarding third-party products or services does not constitute a license to use such products or services or a warranty or endorsement thereof. Use of such information may require a license from a third party under the patents or other intellectual property of the third party, or a license from TI under the patents or other intellectual property of TI.

Reproduction of significant portions of TI information in TI data books or data sheets is permissible only if reproduction is without alteration and is accompanied by all associated warranties, conditions, limitations, and notices. TI is not responsible or liable for such altered documentation. Information of third parties may be subject to additional restrictions.

Resale of TI components or services with statements different from or beyond the parameters stated by TI for that component or service voids all express and any implied warranties for the associated TI component or service and is an unfair and deceptive business practice. TI is not responsible or liable for any such statements.

Buyer acknowledges and agrees that it is solely responsible for compliance with all legal, regulatory and safety-related requirements concerning its products, and any use of TI components in its applications, notwithstanding any applications-related information or support that may be provided by TI. Buyer represents and agrees that it has all the necessary expertise to create and implement safeguards which anticipate dangerous consequences of failures, monitor failures and their consequences, lessen the likelihood of failures that might cause harm and take appropriate remedial actions. Buyer will fully indemnify TI and its representatives against any damages arising out of the use of any TI components in safety-critical applications.

In some cases, TI components may be promoted specifically to facilitate safety-related applications. With such components, TI's goal is to help enable customers to design and create their own end-product solutions that meet applicable functional safety standards and requirements. Nonetheless, such components are subject to these terms.

No TI components are authorized for use in FDA Class III (or similar life-critical medical equipment) unless authorized officers of the parties have executed a special agreement specifically governing such use.

Only those TI components which TI has specifically designated as military grade or "enhanced plastic" are designed and intended for use in military/aerospace applications or environments. Buyer acknowledges and agrees that any military or aerospace use of TI components which have **not** been so designated is solely at the Buyer's risk, and that Buyer is solely responsible for compliance with all legal and regulatory requirements in connection with such use.

TI has specifically designated certain components which meet ISO/TS16949 requirements, mainly for automotive use. Components which have not been so designated are neither designed nor intended for automotive use; and TI will not be responsible for any failure of such components to meet such requirements.

### Products

Audio	<a href="http://www.ti.com/audio">www.ti.com/audio</a>
Amplifiers	<a href="http://amplifier.ti.com">amplifier.ti.com</a>
Data Converters	<a href="http://dataconverter.ti.com">dataconverter.ti.com</a>
DLP® Products	<a href="http://www.dlp.com">www.dlp.com</a>
DSP	<a href="http://dsp.ti.com">dsp.ti.com</a>
Clocks and Timers	<a href="http://www.ti.com/clocks">www.ti.com/clocks</a>
Interface	<a href="http://interface.ti.com">interface.ti.com</a>
Logic	<a href="http://logic.ti.com">logic.ti.com</a>
Power Mgmt	<a href="http://power.ti.com">power.ti.com</a>
Microcontrollers	<a href="http://microcontroller.ti.com">microcontroller.ti.com</a>
RFID	<a href="http://www.ti-rfid.com">www.ti-rfid.com</a>
OMAP Mobile Processors	<a href="http://www.ti.com/omap">www.ti.com/omap</a>
Wireless Connectivity	<a href="http://www.ti.com/wirelessconnectivity">www.ti.com/wirelessconnectivity</a>

### Applications

Automotive and Transportation	<a href="http://www.ti.com/automotive">www.ti.com/automotive</a>
Communications and Telecom	<a href="http://www.ti.com/communications">www.ti.com/communications</a>
Computers and Peripherals	<a href="http://www.ti.com/computers">www.ti.com/computers</a>
Consumer Electronics	<a href="http://www.ti.com/consumer-apps">www.ti.com/consumer-apps</a>
Energy and Lighting	<a href="http://www.ti.com/energy">www.ti.com/energy</a>
Industrial	<a href="http://www.ti.com/industrial">www.ti.com/industrial</a>
Medical	<a href="http://www.ti.com/medical">www.ti.com/medical</a>
Security	<a href="http://www.ti.com/security">www.ti.com/security</a>
Space, Avionics and Defense	<a href="http://www.ti.com/space-avionics-defense">www.ti.com/space-avionics-defense</a>
Video and Imaging	<a href="http://www.ti.com/video">www.ti.com/video</a>

**TI E2E Community** [e2e.ti.com](http://e2e.ti.com)