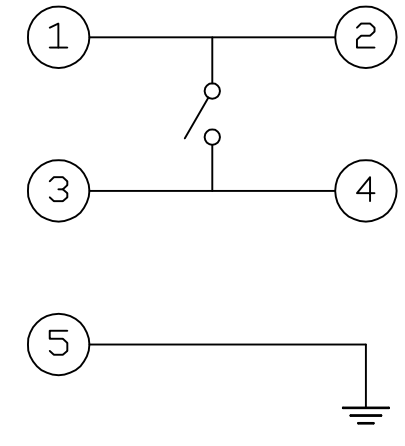
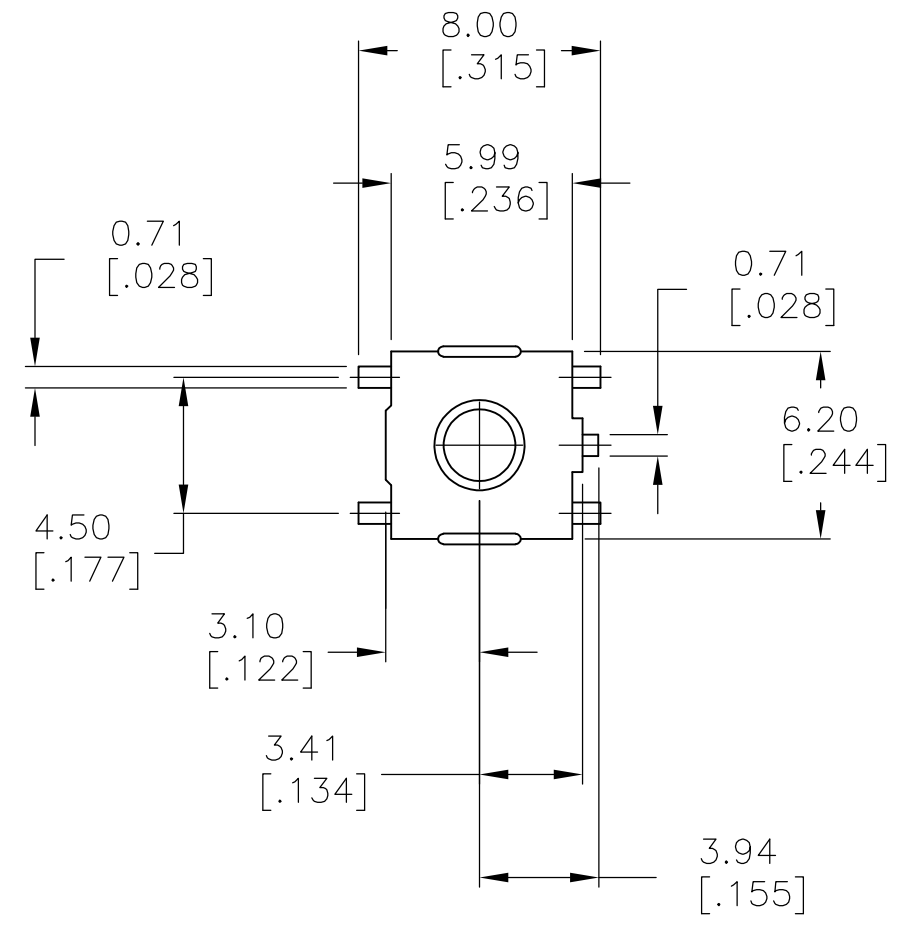
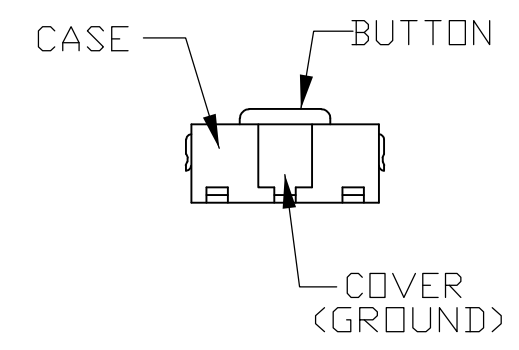
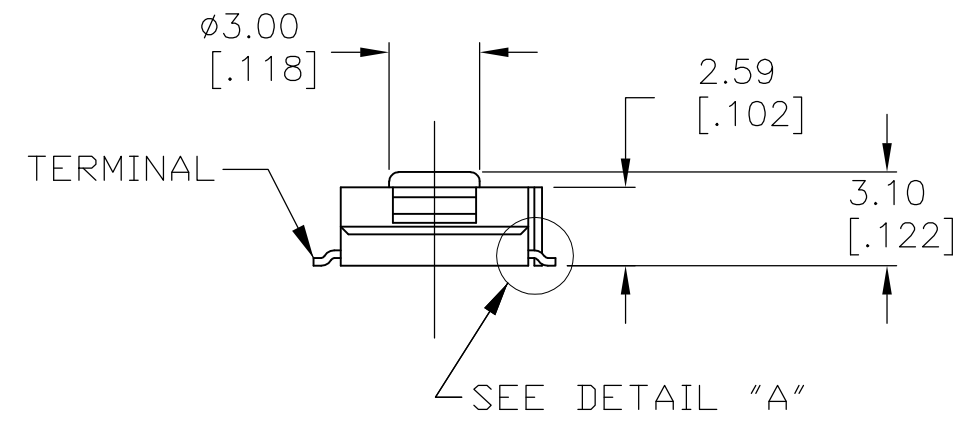


THIS DRAWING IS UNPUBLISHED. RELEASED FOR PUBLICATION
 © COPYRIGHT - By - ALL RIGHTS RESERVED.

LOC		DIST		REVISIONS			
P	LTR	DESCRIPTION		DATE	DWN	APVD	
AD	00	D2	REVISED PER ECO-11-004587		11MAR11	RK	HMR



CIRCUIT DIAGRAM



SPECIFICATIONS:

CASE: PPS, 94V0, BLACK.
 COVER: COPPER ALLOY-TIN PLATE.
 ACTUATOR BUTTON: SEE TABLE, COLOR:
 MOVING CONTACT: COPPER ALLOY, SILVER FINISH.
 FIXED CONTACT/TERMINAL: COPPER ALLOY, SILVER FINISH.

ELECTRICAL:
 MAX CONTACT RATING: 50MILLIAMPS@24V DC
 MIN CONTACT RATING: 10MICROAMPS@1V DC
 CONTACT RESISTANCE: 100 MILLIOHMS MAX.
 INSULATION RESISTANCE: 100 MEGOHMS MIN. @ 100 VDC.
 DIELECTRIC STRENGTH: 500 VAC 50/60 Hz FOR 1 MINUTE
 LIFE EXPECTANCY: 100,000 CYCLES.

MECHANICAL:
 ACTUATION FORCE: SEE CHART.
 ACTUATION TRAVEL: 0.25 +0.20/-0.10 [.010 +0.008/-0.004]

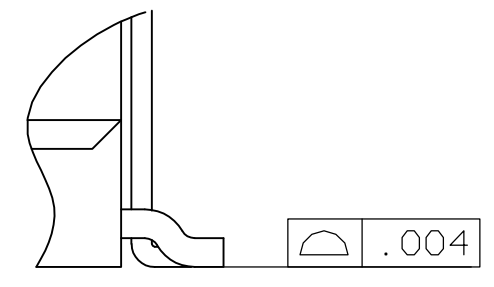
ENVIRONMENTAL:
 OPERATING TEMPERATURE: -35°C TO +85°C
 STORAGE TEMPERATURE: -35°C TO +85°C
 SOLDER HEAT RESISTANCE PER 109-201, COND B.

SOLDERABILITY:
 SPECIFICATION EIA-364-52, CLASS 1, CATEGORY 2

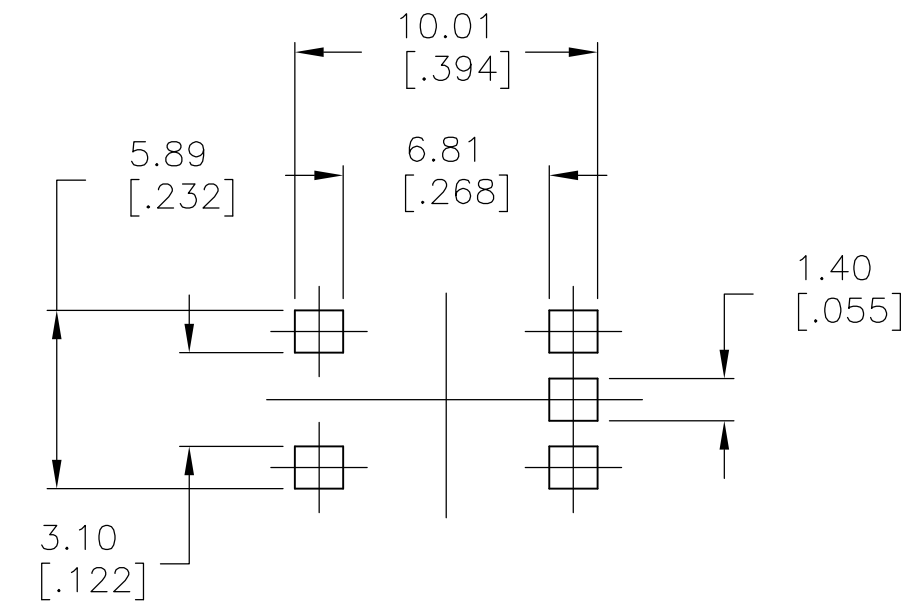
NOTES:

- ALL MATERIALS AND FINISHES SHALL COMPLY WITH EU DIRECTIVE 2002/95/EC OF 27JAN2003 (ROHS)
- TAPE AND REEL PACKAGING PER EIA-481

Datasheet.Live



DETAIL "A"
 SCALE 15:1



P.C.B. FOOTPRINT

PART NUMBER	PART NUMBER	ACTUATOR MATERIAL	ACTUATOR BUTTON COLOR	ACTUATION FORCE	PACKAGING
1-1437565-6	FSM1LP	PPA UL94HB	BLACK	160 ±50 gm.	BULK
1-1437565-9	FSM1LPTR	PPA UL94HB	BLACK	160 ±50 gm.	TAPE & REEL
1-1437565-7	FSM1LPA	PPS UL94V-0	BROWN	260 ±50 gm.	BULK
1-1437565-8	FSM1LPATR	PPS UL94V-0	BROWN	260 ±50 gm.	TAPE & REEL

THIS DRAWING IS A CONTROLLED DOCUMENT.		DWN	13MAR2007	TE TE Connectivity	
DIMENSIONS: mm [INCHES]		CHK	20MAR2007		
TOLERANCES UNLESS OTHERWISE SPECIFIED:		M.SARVER		NAME	
0 PLC ± -		M.SARVER		TACTILE SWITCH	
1 PLC ± -		APVD		FSM1LP	
2 PLC ± 0.30[.012]		20MAR2007		SIZE	
3 PLC ± -		PRODUCT SPEC		CAGE CODE	
4 PLC ± -		APPLICATION SPEC		DRAWING NO	
ANGLES ± -		-		00779	
FINISH		WEIGHT		DRAWING NO	
-		-		A2 00779	
-		CUSTOMER DRAWING		SCALE	
-		-		4:1	
-		-		SHEET	
-		-		1 of 1	
-		-		REV	
-		-		D2	