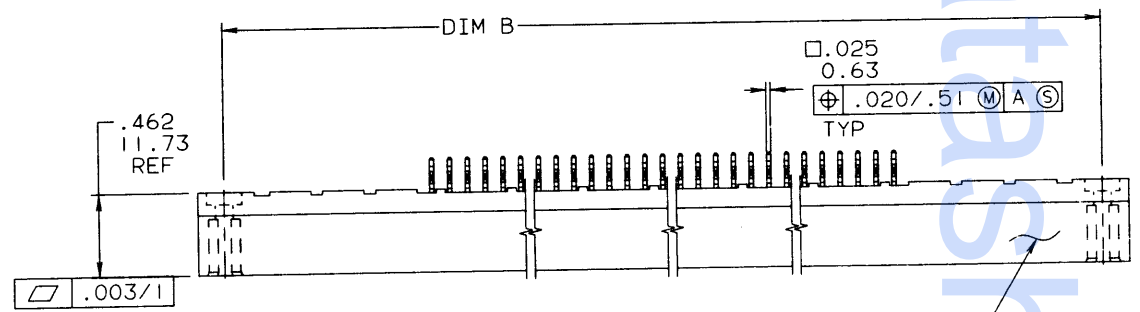
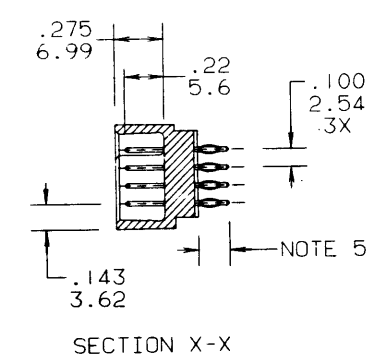
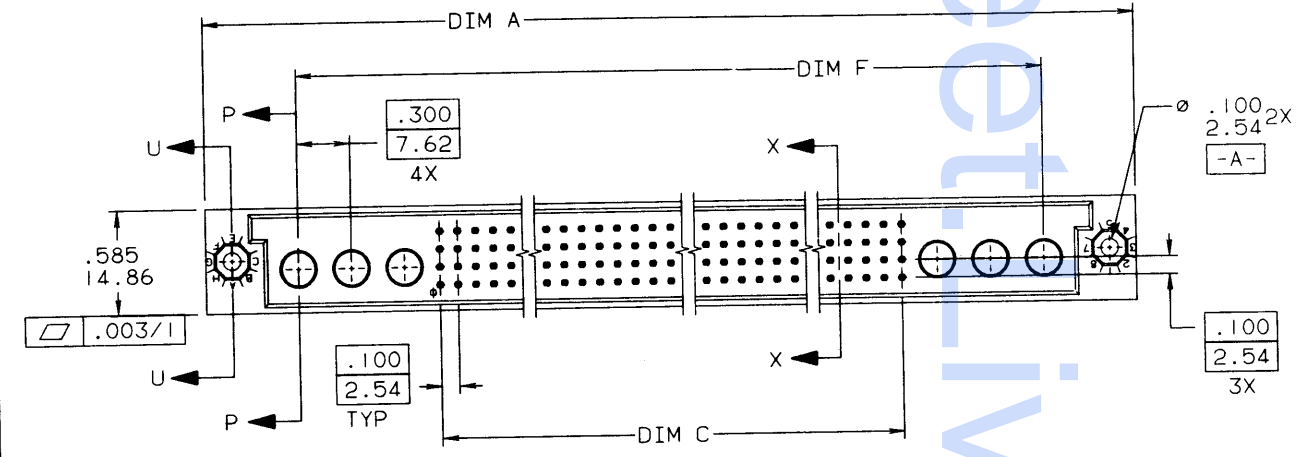


PRODUCT NO  
50039-XXXXX

REVISIONS			
REV	DESCRIPTION	BY	DATE
A	RELEASED	RDS	02/15/91
B	ECR V12534	SAR	10/09/91



- NOTES:
- THIS PRODUCT IS CONFIGURED IN SIZE OF 10 THRU 80 COLUMNS IN INCREMENTS OF ONE.  
IE: 10,11,12,13,.....79,80.
  - PRODUCT NUMBERING CODE:  
50039 - X XXX X  
    - TAIL LENGTH
    - NO OF POSITIONS
    - PLATING
    - BASE NUMBER
  - MATERIALS:  
HOUSING GLASS FILLED PPS.  
PIN PHOS BRONZE
- NOTES CONTINUED ON SHEET 2



SHEET INDEX	ISSUE	B	A	TOLERANCE UNLESS OTHERWISE NOTED		INCH/MM	MATL	DR	DATE	
	SH NO	1	2	.00±.01/.0±.3			-	D.SHEAFFER	02/15/91	
MODELS				.000±.005/.00±.13			-	CHK	S.CLARK	02/15/91
DO NOT SCALE DRAWING				.0000±.0020/.000±.051			-	ENGR	S.CLARK	02/15/91
THIRD ANGLE PROJECTION				ANGLES 0° ±2°			-	APPD	S.CLARK	02/15/91
TABELLATION SHEETS REQUIRED		YES	NO	INCH MM						

CUSTOMER COPY  
CODE IDENT 22526

**DuPont Electronics**

TITLE 4 ROW VERTICAL HEADERS  
COMPLIANT PRESS FIT PINS  
0 GUIDE PINS/6 RND AUX PORTS

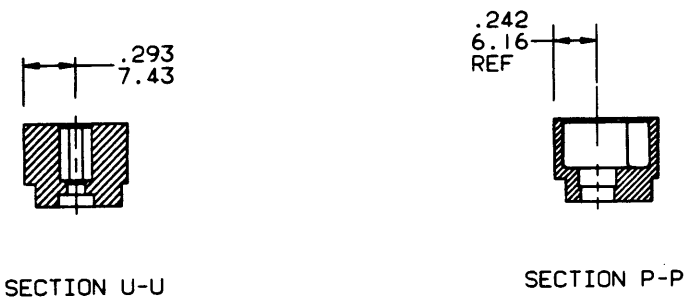
SCALE 2/1 SIZE C DWG NO 50039 SHEET 1 OF 2

NOTE This print is the property of and embodies proprietary designs of THE DUPONT COMPANY.  
No part of the design shown on this print may be used in any way without the written consent of DUPONT ELECTRONICS, New Cumberland, PA.

FORM E-3067C REV 12/89

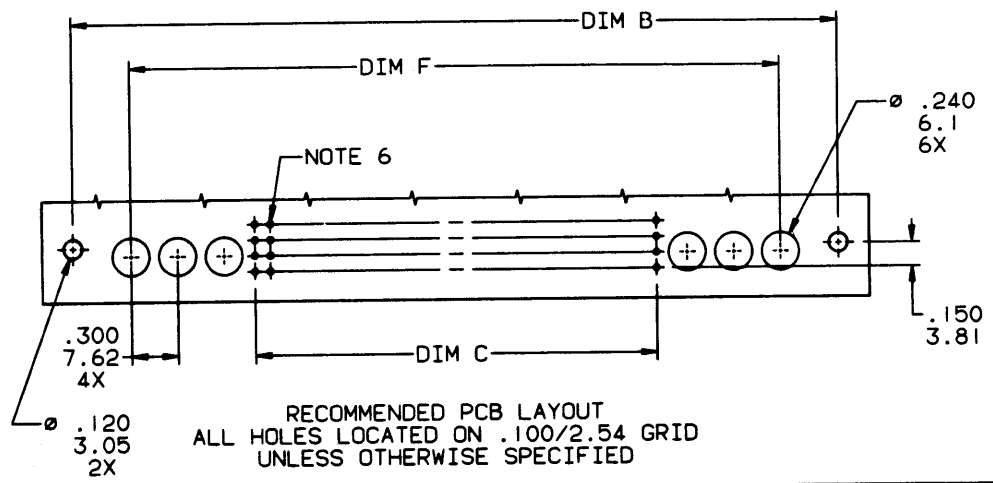
PRODUCT NO	DIM.	LENGTH FORMULAS
50039-XXXXX	DIM A	.100/2.54 X NO. OF COLUMNS + 2.55/64.8
	DIM B	.100/2.54 X NO. OF COLUMNS + 2.25/57.2
	DIM C	.100/2.54 X NO. OF COLUMNS - .10/.25
	DIM F	.100/2.54 X NO. OF COLUMNS + 1.50/38.1

REVISIONS			
REV	DESCRIPTION	BY	DATE
A			



NOTES CONTINUED FROM SHEET 1

- 4 PLATING, CONTACT AREA OPTIONS:  
 1 = 30μ"/.76μ GOLD      5 = 30μ"/.76μ GXT  
 3 = 50μ"/1.27μ GOLD      6 = 15μ"/.38μ GOLD
- ⑤ TAIL LENGTH OPTIONS: (LENGTHS REF ONLY)  
 A = .177/4.5      P = .470/11.94 .062 PCB/SHROUD  
 C = .533/13.54      L = .188/4.78 .062 PCB  
 D = .733/18.62      M = .671/17.04 .062 PCB  
 G = .250/6.35
- ⑥ Ø.0453/1.151 DRILLED HOLE PLATED WITH .0003/.007 MIN SnPb OVER .001/.03 TO .003/.08 Cu. PLATING TO ACHIEVE A Ø.040±.003/1.02±.08 HOLE.
- 7 TO ASSURE PROPER INSTALLATION; DUPONT TOOLING, AS SPECIFIED IN INSTRUCTION MANUAL 155915-001, MUST BE USED. PIN MATING LENGTH WILL BE ±.002/.05 AFTER INSTALLATION.
- ⑧ "DUPONT", DUPONT P/N, AND LOT CODE TO APPEAR ON THIS SURFACE.
- 9 PACKAGING PER BUS-14-143.
- 10 FOR PRODUCT PERFORMANCE SEE DUPONT PRODUCT SPECIFICATION NUMBER BUS-12-090.



RECOMMENDED PCB LAYOUT  
 ALL HOLES LOCATED ON .100/2.54 GRID  
 UNLESS OTHERWISE SPECIFIED

SHEET INDEX	ISSUE SH NO	ISSUE NO	ISSUE DATE	ISSUE BY	ISSUE DESCRIPTION
1	1	1			

MODELS	DO NOT SCALE DRAWING	TOLERANCE UNLESS OTHERWISE NOTED	MATL	DR	DATE
		INCH/MM		D. SHEAFFER	02/15/91
		.00±.01/.0±.3		CHK	
		.000±.005/.00±.13		S. CLARK	02/15/91
		.0000±.0020/.000±.051	FINISH	ENGR	
				S. CLARK	02/15/91
TABULATION SHEETS REQUIRED	YES/NO	INCH/MM	ANGLES	APPD	DATE
			0° ±2°	S. CLARK	02/15/91

CUSTOMER COPY
CODE IDENT
22526

**DuPont Electronics**

TITLE 4 ROW VERTICAL HEADERS  
 COMPLIANT PRESS FIT PINS  
 0 GUIDE PIN/6 RND AUX PORTS

SCALE	SIZE	DWG NO	CAD
2/1	C	50039	SHEET 2

NOTE: This print is the property of and contains proprietary designs of THE DUPONT COMPANY. No part of the design shown on this print may be used in any way without the written consent of DUPONT ELECTRONICS, New Cumberland, PA.

FORM E-3047Z REV 12/90