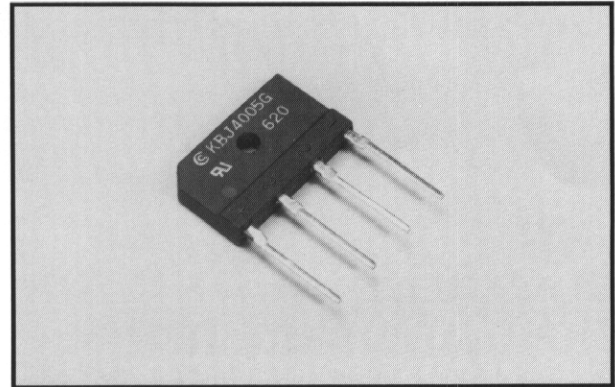


KBJ4005G Thru KBJ410G



4 AMP GLASS PASSIVATED SILICON BRIDGE RECTIFIER



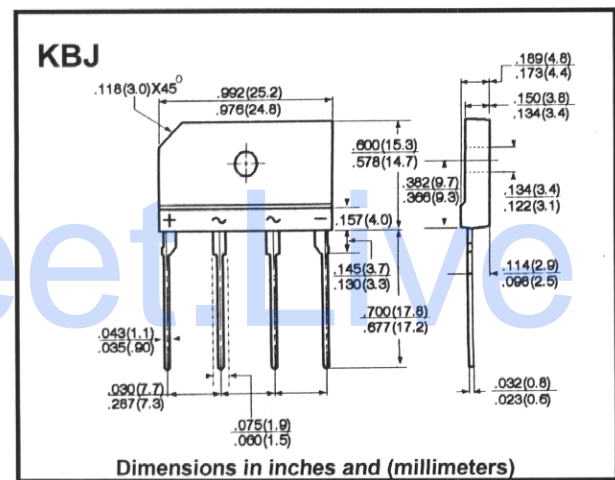
FEATURES

- Rating to 1000V PRV
- Ideal for printed circuit board
- Reliable low cost construction utilizing molded plastic technique
- Lead solderable per MIL-STD-202, Method 208
- UL recognized 94V-O plastic material
- Surge overload rating to 120A peak

Mechanical Data

- Polarity: symbols molded on body
- Weight: 0.16 ounce, 4.6 grams

Outline Drawing



Maximum Ratings & Characteristics

- Ratings at 25° C ambient temperature unless otherwise specified
- Single phase, half wave, 60Hz, resistive or inductive load
- For capacitive load, derate current by 20%

		KBJ 4005G	KBJ 401G	KBJ 402G	KBJ 404G	KBJ 406G	KBJ 408G	KBJ 410G	Units
Maximum Recurrent Peak Reverse Voltage	V_{RRM}	50	100	200	400	600	800	1000	V
Maximum RMS Voltage	V_{RMS}	35	70	140	280	420	560	700	V
Maximum DC Blocking Voltage	V_{DC}	50	100	200	400	600	800	1000	V
Maximum Average Forward Rectified Current .375 (9.5mm) Lead Lengths @ $T_C = 115^\circ C$	I_{AV}	4.0							A
Peak Forward Surge Current 8.3 ms Single Half-Sine-Wave Superimposed On Rated Load	I_{FSM}	120							A
Maximum Forward Voltage At 2.0A DC	V_F	1.0							V
Maximum DC Reverse Current @ $T_A = 25^\circ C$ At Rated DC Blocking Voltage @ $T_A = 125^\circ C$	I_R	5							μA
Typical Junction Capacitance (Note 1) $T_A = 25^\circ C$	C_J	40							pF
Typical Thermal Resistance (Note 2)	R_{thJC}	5.5							$^\circ C/W$
Operating Temperature Range	T_J	-55 to +150							$^\circ C$
Storage Temperature Range	T_{STG}	-55 to +150							$^\circ C$

Notes: 1. Measured at 1.0 MHz and applied reverse voltage of 4.0V DC
2. Thermal resistance Junction to Case