

# Series 803 Mighty Mouse 1/4 Turn Bayonet Coupling PCB Connector Ordering Information

803-005, 803-015



Series 803




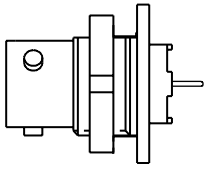
**Series 803 Printed Circuit Board Receptacle**

**Printed Circuit Board/Solder Cup Receptacles** feature low profile shells for minimum protrusion inside enclosures and integral standoffs for board washout. Contacts are non-removable.

**Water Immersion, Unmated**

Specify **803-005** connectors for applications where open face water immersion is not a requirement. For MIL-STD-810 Method 512G immersion requirements, specify **803-015** watertight connectors. These 803-015 connectors are specially sealed ("MOD-518") and are 100% tested to maintain a helium leak rate of  $1 \times 10^{-4}$  cc/second at one atmosphere pressure differential from -40C to +70C. **NOTE: mated connectors are not submersible.**

## HOW TO ORDER SERIES 803 PRINTED CIRCUIT BOARD RECEPTACLES

Sample Part Number					
803-005	-07	ZN	6-7	S	N
Series	Shell Style	Shell Material / Finish	Shell Size- Insert Arrangement	Contact Type	Shell Key Position
<p><b>803-005</b> Receptacle for Solder Cup or PCB Termination, with Standard Epoxy Potting</p>  <p><b>- 02</b> Flange Mount</p>	<p><b>803-015</b> Receptacle for Solder Cup or PCB Termination, With Resilient Silicone Potting For Watertight Seal from -40° to +70°C (15 PSI Pressure Differential)</p>  <p><b>- 07</b> Jam Nut</p>	<p><b>C</b> Aluminum / Black Anodize (Non-Conductive) RoHS Compliant</p> <p><b>M</b> Aluminum / Electroless Nickel RoHS Compliant</p> <p><b>NF</b> Aluminum / Cadmium with Olive Drab Chromate</p> <p><b>ZN</b> Aluminum / Zinc-Nickel with Olive Drab Chromate</p> <p><b>ZNU</b> Aluminum / Zinc-Nickel with Black Chromate</p> <p><b>MT</b> Aluminum / Nickel-PTFE RoHS Compliant</p> <p><b>Z1</b> Stainless Steel / Passivated RoHS Compliant</p>	<p>SEE <b>CONTACT ARRANGEMENTS</b> PAGE F-2</p>	<p><b>P</b> Pin, PC Tail</p> <p><b>S</b> Socket, PC Tail</p> <p><b>E</b> Pin, Solder Cup</p> <p><b>F</b> Socket, Solder Cup</p>	<p><b>N</b> Normal Alternative Key Positions:</p> <p><b>X</b></p> <p><b>Y</b></p> <p><b>Z</b></p>

Dimensions in inches (millimeters) and are subject to change without notice.

© 2010 Glenair, Inc.

CAGE Code 06324

Printed in U.S.A.

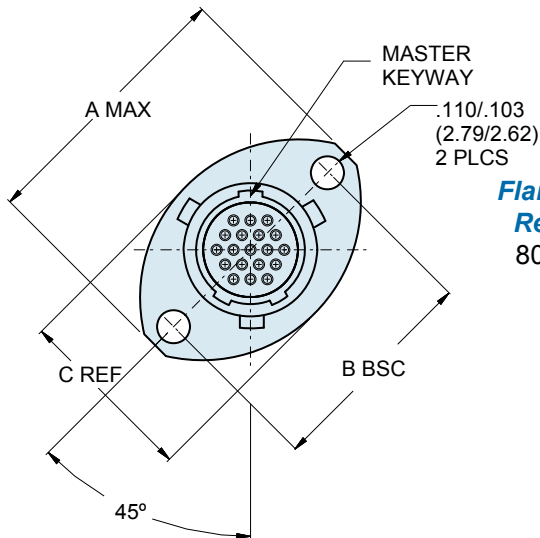
**GLENAIR, INC. • 1211 AIR WAY • GLENDALE, CA 91201-2497 • 818-247-6000 • FAX 818-500-9912**

www.glenair.com

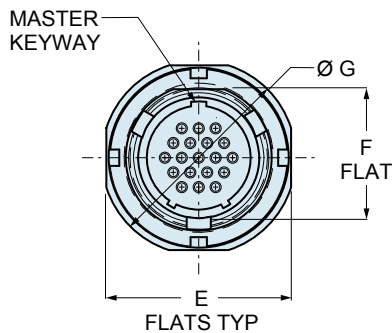
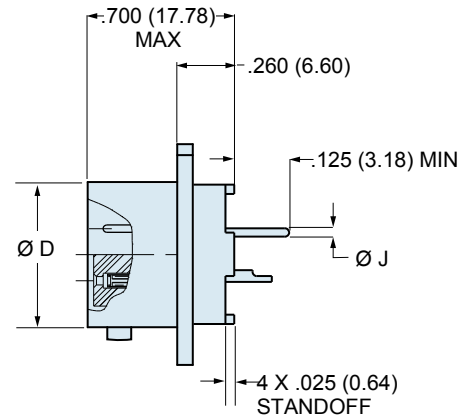
F-11

E-Mail: sales@glenair.com

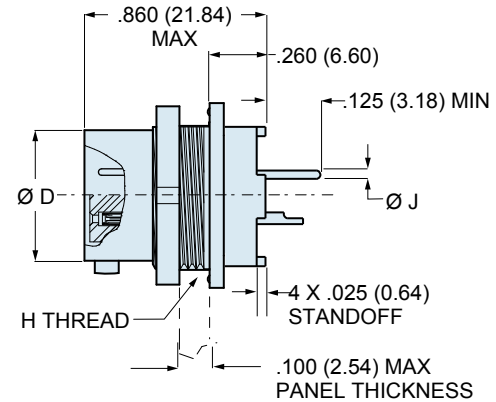
01-JANUARY-2010



**Flange Mount  
Receptacle**  
803-005-02



**Jam Nut  
Receptacle**  
803-005-07



### DIMENSIONS

Shell Size	A Max.		B Bsc.		C Ref.		Ø D		E Flats		F Flat		Ø G		H Thread	Ø J Tail Dia.
	In.	mm.	In.	mm.	In.	mm.	In.	mm.	In.	mm.	In.	mm.	In.	mm.		
5	.703	17.86	.513	13.03	.460	11.68	.300	7.62	.545	13.84	.350	8.89	.575	14.61	.3750-32 UNEF-2A	#23 (0.46/0.56)
6	.788	20.02	.598	15.19	.522	13.26	.362	9.19	.595	15.11	.410	10.42	.635	16.13	.4375-28 UNEF-2A	#20 (0.61/0.71)
7	.890	22.61	.708	17.98	.590	14.99	.436	11.07	.723	18.36	.536	13.61	.755	19.18	.5625-32 UN-2A	#16 (1.52/1.63)
8	1.154	29.31	.964	24.49	.668	16.97	.508	12.91	.790	18.36	.593	14.53	.755	19.18	.6250-28 UN-2A	#12 (2.34/2.44)
9	1.207	30.66	1.017	25.83	.721	18.31	.561	14.25	.790	20.07	.596	15.14	.830	21.08	.6250-28 UN-2A	
10	1.291	32.79	1.101	27.97	.795	20.19	.635	16.13	.925	21.72	.721	18.31	.890	22.61	.7500-28 UN-2A	
12	1.394	35.41	1.204	30.58	.874	22.20	.714	18.14	1.044	26.52	.845	21.46	1.078	27.38	.8750-28 UN-2A	
14	1.545	39.24	1.280	32.51	1.050	26.67	.865	21.97	1.230	31.24	1.022	25.96	1.264	32.11	1.0625-20 UN-2A	

Dimensions in inches (millimeters) and are subject to change without notice.

# Mouser Electronics

Authorized Distributor

Click to View Pricing, Inventory, Delivery & Lifecycle Information:

## Glenair:

[803-005-07NF15-85PX](#) [803-005-02NF9-19FN](#) [803-005-02NF12-37EN](#) [803-005-07NF12-37PN](#) [803-005-07NF12-37PX](#) [803-005-07NF12-37PY](#) [803-005-07NF14-55PN](#) [803-005-07NF15-85PN](#) [803-005-07NF9-19PN](#) [803-005-07NF9-19PX](#) [803-005-07NF9-19PY](#) [803-005-07M12-37PN](#) [803-005-07NF6-7FN](#) [803-015-02Z17-10EN](#) [803-005-02M9-19SX](#) [803-005-02M7-10SN](#) [803-005-07M6-7SN](#) [803-005-07M7-10SN](#) [803-005-07M9-19SN](#) [803-005-02M10-26SN](#) [803-005-02M12-37SN](#) [803-005-02M14-55SN](#) [803-005-02M15-85SN](#) [803-005-02M5-3SN](#) [803-005-02M6-7PN](#) [803-005-02M6-7SN](#) [803-005-02M8-13SN](#) [803-005-02M9-19SN](#) [803-005-07M10-26SN](#) [803-005-07M12-37SN](#) [803-005-07M14-55SN](#) [803-005-07M15-85SN](#) [803-005-07M5-3SN](#) [803-005-07M8-13SN](#) [803-005-07ZN6-7PN](#) [803-005-07ZN6-7SN](#) [803-005-02NF12-37PN](#) [803-005-02Z16-4FN](#) [803-005-07NF5-3FN](#) [803-005-07ZN6-4PN](#) [803-005-07ZN6-4SN](#)