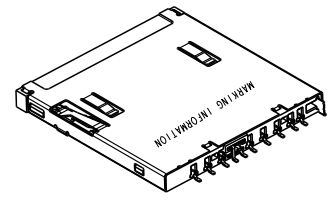
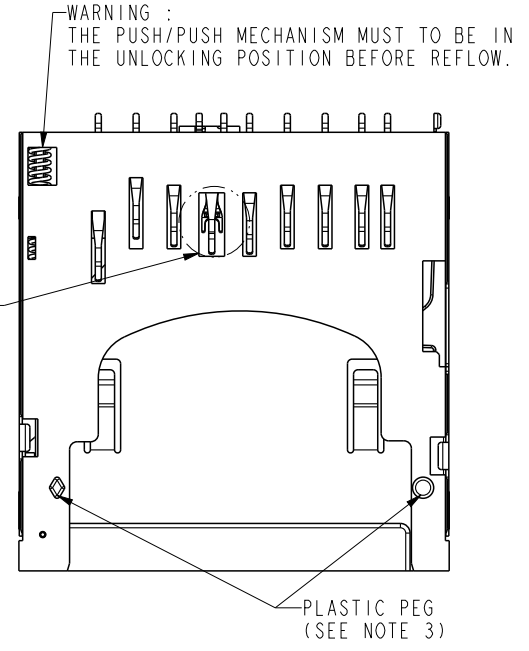
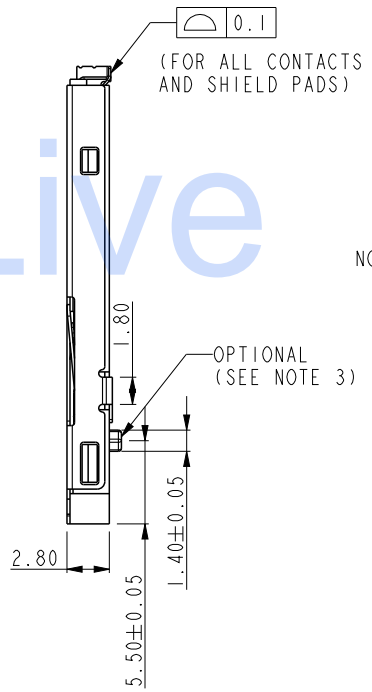
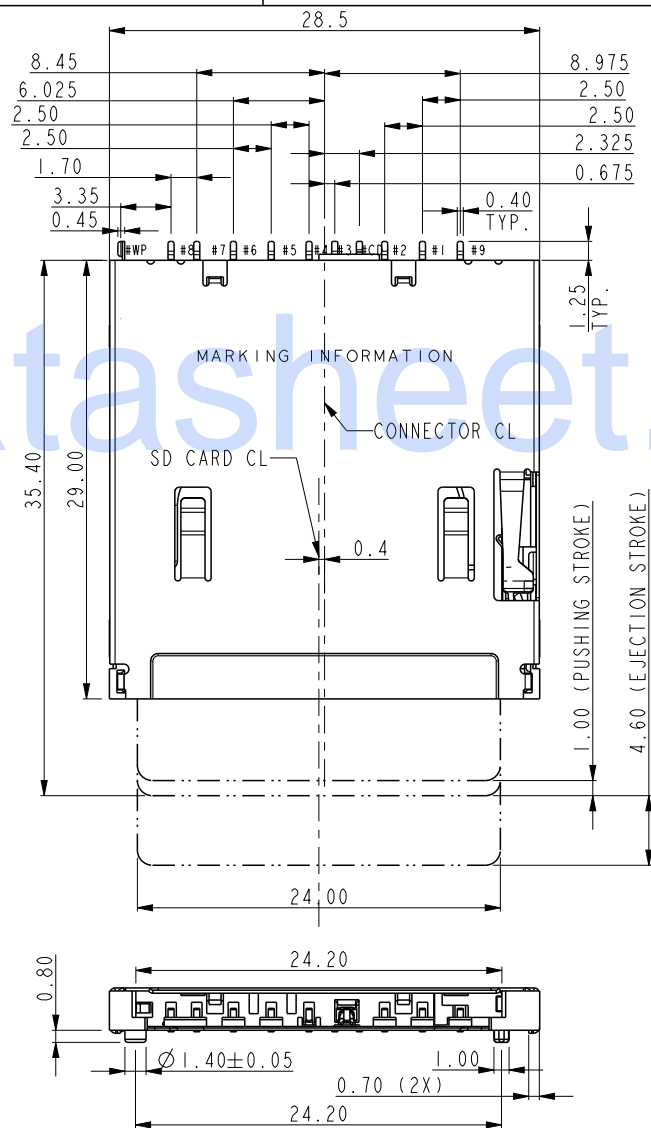




Copyright FCI.

Datasheet.Live



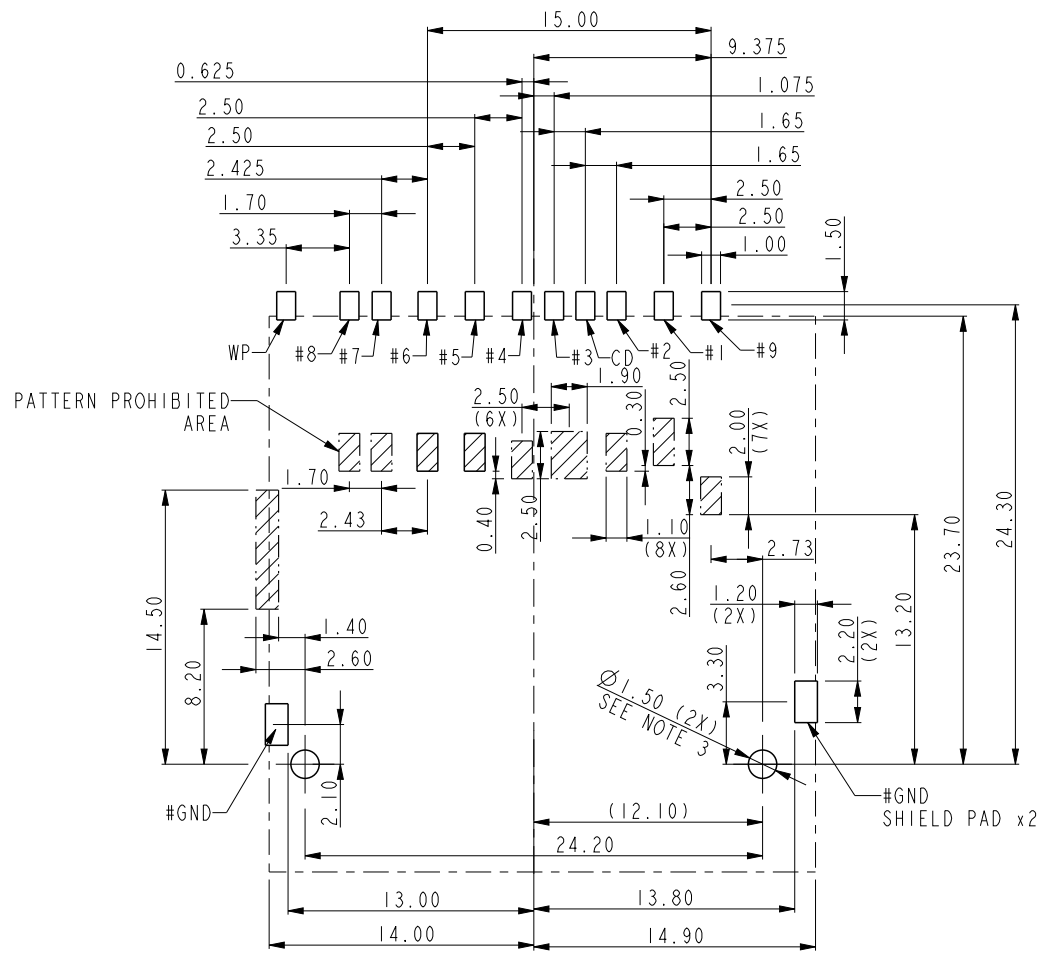
PART NUMBER (NOTE 3)	
10067847-0XXX	10067847-4XXX

spec ref	RELEASED	dr	Bill Lin	2008/09/28	projection	MM	size	A4	scale	1.000
tolerance std	TOLERANCES UNLESS OTHERWISE SPECIFIED	eng	Henry Guo	2014/09/23			ecn no	ELX-N-18850-1		
ASME Y14.5		chr	-	-	product family			SD	rel level	Released
surface	linear	0.X	±0.30		title	ASSEMBLY	dwg no	10067847	rev	K
		0.XX	±0.20							
	0.XXX	±0.10								
	angular	0°	±2°	www.fci.com	cat. no.	10067847	Product - Customer Drw		sheet 1 of 3	

ProjE File - REV C - 2009-06-09



Copyright FCI.



RECOMMENDED PCB LAYOUT  
(FOR 10067847-0XXXLF)

dr	Bill Lin	2008/09/28	projection 	MM ←→	size	A4	scale	1.000
eng	Henry Guo	2014/09/23			ecn no	ELX-N-18850-1		
chr	-	-			rel level	Released		
appr	Feagle Pan	2014/09/24	product family	SD	rev	K		
www.fci.com		cat. no.	10067847	Product - Customer Drw	sheet 2 of 3			

NOTES:  
 1. MATERIAL  
 HOUSING : HIGH TEMPERATURE THERMOPLASTIC RESIN.  
 CONTACT : COPPER ALLOY  
 SHIELD : STAINLESS.  
 2 PLATING:  
 CONTACT : 50u" NICKEL UNDERPLATED ALL OVER.  
 100u" MATTE TIN ON SOLDER TAIL AREA.  
 GOLD PLATED ON CONTACT AREA (SEE CONTACT PLATING IN NOTE 3).

3. PART NUMBER DESCRIPTION:  
 10067847-X X X X X  
 LF: LEAD FREE PACKING  
 R : TAPE & REEL  
 T : TRAY PACKAGING  
 CONTACT PLATING :  
 1: 50u" Au OVER Ni  
 0: WITH PLASTIC PEG  
 1: WITHOUT PLASTIC PEG  
 BASE HOUSING  
 0: STANDARD TYPE  
 4: CUSTOMIZED TYPE

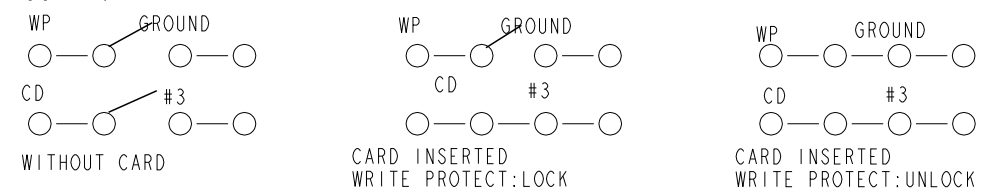
PIN ASSIGNMENT

NO.	DESCRIPTION
#1	CD/DAT3
#2	CMD
#3	VSS
#4	VDD
#5	CLK
#6	VSS
#7	DAT0
#8	DAT1
#9	DAT2
#CD	CARD DETECTION
#WP	WRITE PROTECT
#GND	GROUND

4 MARKING INFORMATION

PXXXXXXXXXX  
 V2: UD321 LUBRICANT  
 V3: UD321 LUBRICANT WITH ENGINEERING CHANGE BASED ON PCN09116.  
 PRODUCTION LINE CODE  
 DATE CODE THROUGH 01 TO 31  
 WEEK NUMBER 01 THROUGH 53  
 YEAR CODE:  
 MOST RIGHT OF DIGIT OF PRODUCTION.  
 (e.g. 2008=8)  
 MANUFACTURE SITE; 1.FOR NANTONG 2 FOR DONGGUAN  
 SOURCE; P FOR CHINA

CIRCUIT :



Copyright FCI.

dr	Bill Lin	2008/09/28	projection 	MM 	size	A4	scale	1.000
eng	Henry Guo	2014/09/23			ecn no	ELX-N-18850-1		
chr	-	-			rel level	Released		
appr	Feagle Pan	2014/09/24	product family	SD	rev	K		
www.fci.com		cat. no.	10067847	Product - Customer Drw	sheet	3 of 3		