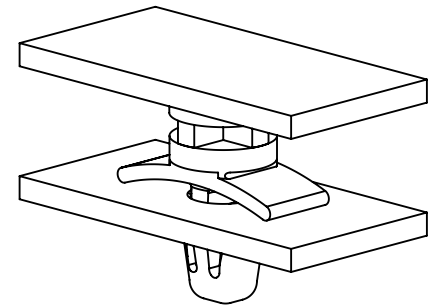


MATERIAL: NYLON 6/6 UL 94 V-2 (RMS-01) COLOR: NATURAL PART NO.	MATERIAL: NYLON 6/6 UL 94 V-0 (RMS-19) COLOR: NATURAL PART NO.	DIM. "A" ±.015 [0.4]
PS-3-01	PS-3-19	3/16 [4.8]
PS-4-01	PS-4-19	1/4 [6.4]
PS-6-01	PS-6-19	3/8 [9.5]
PS-7-01	PS-7-19	7/16 [11.1]
PS-8-01	PS-8-19	1/2 [12.7]
PS-9-01	PS-9-19	9/16 [14.3]
PS-10-01	PS-10-19	5/8 [15.9]
PS-12-01	PS-12-19	3/4 [19.1]
PS-14-01	PS-14-19	7/8 [22.2]



TYPICAL APPLICATION

NOTES:

- MATERIAL: "IMPACT MODIFIED" NYLON 6/6 (RMS-73) AVAILABLE BY SPECIAL ORDER ONLY.  
TO ORDER RELACE "-01" WITH "-73".  
MATERIAL: "HEAT RESISTANT" NYLON 4/6 UL 94 V-2 (RMS-109) AVAILABLE BY SPECIAL ORDER ONLY.  
TO ORDER REPLACE "-01" WITH "-109"
- COLOR: BLACK AVAILABLE BY SPECIAL ORDER ONLY.  
TO ORDER ADD SUFFIX "BK" TO PART NO.
- PART IS ALSO AVAILABLE IN A 1/8 (3.2) THICK CHASSIS BY SPECIAL ORDER ONLY. TO ORDER USE P/N: PS-2-XX-XX

I			TITLE: PUSH SPACER				UNITS: IN [mm]		FINAL	
ADDED PS-9, ECN # 1368			DZ 07/03/2012		FILE #: PS		DWN: SK		APP: SK	
H SEE ECN #1208 FOR CHANGES			SK 11/29/2006		SHEET: 1 OF 1		SHEET SIZE: A		DT: 02/24/05	
G SEE ECN #1196 FOR CHANGES			SK 07/17/2006		RE: RICHCO, INC.		RICHCO, INC.		PART #	
F COMPLETELY REDRAWN, SEE ECN #949			SK 02/24/2005		RE: RICHCO, INC.		RICHCO, INC.		SEE TABLE	
- SEE ENGINEERING FOR REVISIONS A-E			-		RE: RICHCO, INC.		RICHCO, INC.		PRINT TYPE	
REV. DESCRIPTION			ENGR. DATE		RE: RICHCO, INC.		RICHCO, INC.		CA	