

10400 series

Professional pushbutton switches - threaded bushing Ø 10 (.393)

Distinctive features and specifications

CECC approved

ELECTRICAL SPECIFICATIONS

- Max. current/voltage rating with resistive load :
2A 220VAC - 3A 110VAC - 3A 24VDC
- Minimum load : 100µA 10mV
- Initial contact resistance : 10 mΩ max.
- Insulation resistance : 1.000 MΩ min. at 500VDC
- Dielectric strength :
 - 1.000 Veff. 50 Hz min. between terminals of the same pole
 - 2.000 Veff. 50 Hz min. between terminals and frame
 - 2.000 Veff. 50 Hz min. between terminals of adjacent poles
- Electrical life : 50.000 cycles

MATERIALS

- Case : diallyphthalate (DAP)
- Actuator : brass, chrome plated
- Bushing : brass, nickel plated
- Housing : brass, nickel plated
- Contacts :
 - silver
 - gold plated silver
- Terminal seal : epoxy

APPROVAL



CECC 96401-001

Availability : consult factory for details of approved models.

Marking : to order switches marked CECC, add "CECC" to model number.

GENERAL SPECIFICATIONS

- Torque : 1,50 Nm (1.106 Ft.lb)
max. applied to nut
- Operating temperature :
-40°C to +85°C
- Max. panel thickness :
3,5 mm (.138)

ABOUT THIS SERIES

Complete part numbers are shown on the following page.

Dimensions : first dimensions are in mm while inches are shown as bracketted numbers.



Sealing boots are available to protect the switches against dust and water. They are presented in section H.



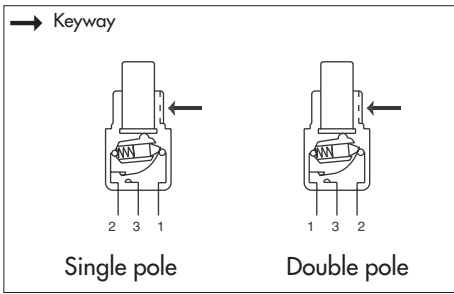
Mounting accessories : standard hardware supplied with all models : 1 knurled nut, 1 hex nut, 1 locking ring and 1 lockwasher. They are presented in section I.



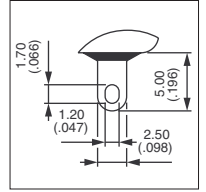
Packaging unit : 25 pieces.

10400 series

Professional pushbutton switches - threaded bushing $\varnothing 10$ (.393)



- 1 and 2 pole configurations
- Available with matt black finish : consult factory for model number



MODEL STRUCTURE



B

Single pole

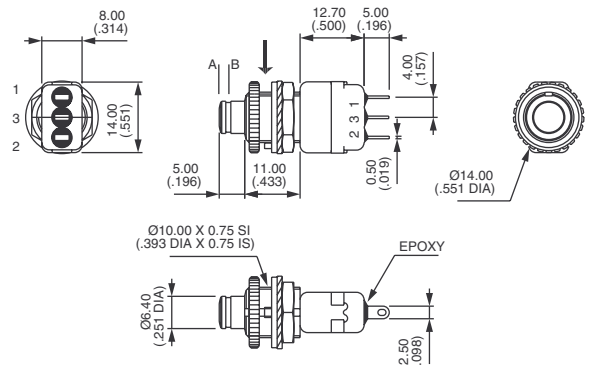


Silver contacts
104350003

Gold plated silver contacts
104350108

	A	B
	1-2	1-3
	ON	- MOM
	ON	- MOM

→ Keyway



Double pole

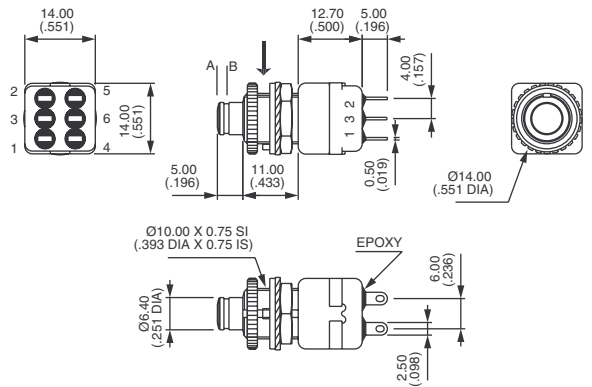


Silver contacts
104450003

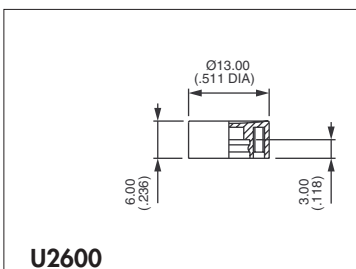
Gold plated silver contacts
104450108

	A	B
	2-1	2-3
	5-4	5-6
	ON	- MOM
	ON	- MOM

→ Keyway



CAP



Cap colours			
Replace last "0" by number			
1	blue	5	yellow
1/4	dark blue	6	red
2	black	7	ivory
3	green	7/1	white
4	grey	9	orange

PANEL CUT-OUT

