

# HONGFA RELAY



## SUBMINIATURE POWER RELAY

Single-Pole, PC Board

# JQC-3FG



- UL & CUR file No.: E160454
- TÜV file No.: R9452527
- 15A,10A switching capabilities
- SPST-NO and SPDT configurations
- Subminiature, standard PCB layout, low cost

### CONTACT DATA

|   |   |                               |
|---|---|-------------------------------|
| Arrangement                                     | SPST-NO,  | SPDT                          |
| Initial Contact Resistance<br>Max. (at 1A 6VDC) | 100mΩ   |                               |
| Contact Material                                | AgSnO type                                      | Silver alloy type             |
| Contact Rating (Res. Load)                      | 10A 250VAC                                      | 7A 250VAC                     |
| Max. switching voltage                          | 250VAC/24VDC                                    |                               |
| Max. switching current                          | 15A   |                               |
| Max. switching power                            | 2500VA  | 1750VA                        |
| UL/CUR rating                                   | 15A 120VAC/24VDC<br>10A 250VAC                  | 10A 120VAC/24VDC<br>7A 250VAC |
| TÜV rating                                      | Silver alloy type:10A 120VAC/24VDC<br>7A 250VAC |                               |
| Expected Life min. operations                   | Mechanical                                      | 1X10 <sup>7</sup>             |
|   | Electrical                                      | 1X10 <sup>5</sup>             |
| <b>COIL</b>                                     |   |                               |
| Nominal coil power                              | 0.36W (48V:0.51W)                               |                               |

### SPECIFICATION

|  |                     |                      |
|--|---------------------|----------------------|
| Initial Insulation Resistance              | 100MΩ, 500VDC       |                      |
| Dielectric Strength                        | 1500VAC,1minute     |                      |
| Between coil and Contacts                  | 750VAC,1minute      |                      |
| Between open contacts                      | 5,000VAC            |                      |
| Surge Voltage between<br>Contacts and coil | 10ms                |                      |
| Operate time (at nomi. Vot.)               | 5ms                 |                      |
| Release time (at nomi. Vot.)               | -40 to +70°C        |                      |
| Ambient temperature                        | 35 to 85%           |                      |
| Humidity                                   | Shock               | Functional           |
|  | Resistance          | Destructive          |
|  |                     | 100m/s <sup>2</sup>  |
|  |                     | 1000m/s <sup>2</sup> |
| Vibration Resistance                       | 1.5mm, 10 to 55Hz   |                      |
| Termination                                | PCB                 |                      |
| Unit weight                                | Approx. 10g         |                      |
| Construction                               | Sealed and Unsealed |                      |

### TABLE

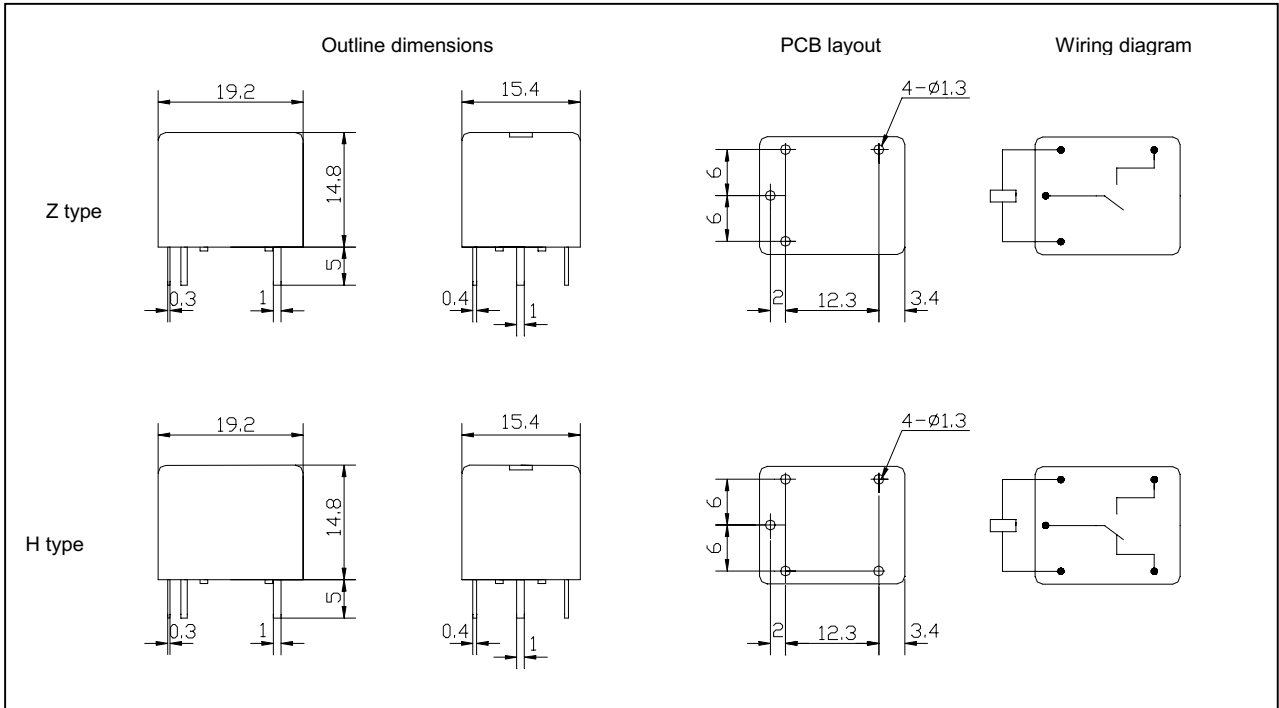
| Nominal Voltage VDC | Pick-up Voltage VDC | Drop-out Voltage VDC | Max. Allowable Voltage VDC (at 20 °C) | Coil Resistance ±10% Ω |
|---------------------|---------------------|----------------------|---------------------------------------|------------------------|
| 5                   | 3.75                | 0.5                  | 6.5                                   | 70                     |
| 6                   | 4.50                | 0.6                  | 7.8                                   | 100                    |
| 9                   | 6.75                | 0.9                  | 11.7                                  | 225                    |
| 12                  | 9.00                | 1.2                  | 15.6                                  | 400                    |
| 18                  | 13.5                | 1.8                  | 23.4                                  | 900                    |
| 24                  | 18.0                | 2.4                  | 31.2                                  | 1600                   |
| 48                  | 36.0                | 4.8                  | 62.4                                  | 4500                   |

■ ORDERING INFORMATION

JQC-3FG — 012 — H S T

| Coil voltage             | Contact arrangement   | Classification of type     | Contact Material              |
|--------------------------|-----------------------|----------------------------|-------------------------------|
| 5,6,9,12,18,<br>24,48VDC | H: SPST-NO<br>Z: SPDT | S: Sealed<br>Nil: Unsealed | T: AgSnO<br>Nil: Silver alloy |

■ OUTLINE DIMENSIONS , WIRING DIAGRAM AND PC BOARD LAYOUT



■ USEFUL CURVES

