

Trimmer Potentiometers

RoHS Compliant This page of product is RoHS compliant.
BOURNS® TC33 SERIES 3MM SMD CERMET TRIMMING POTENTIOMETERS

Features:

- Recommended for reflow processing
- Rotor design compatible with pick and place and automatic adjustment equipment
- 3mm size meets EIA/EIAJ standard trimmer footprint

Environmental Characteristics:

- Power rating (50VDC max.): 70°C: 0.1 watt
- Temperature range: -40°C to +120°C
- Temperature coefficient: ±250ppm/°C
- Humidity: 95% RH, TRS max.: ±5%
- Load life: @ 70°C rated power 1000 hours, TRS ±5%
- Rotational cycling: 20 cycles, TRS ±10%

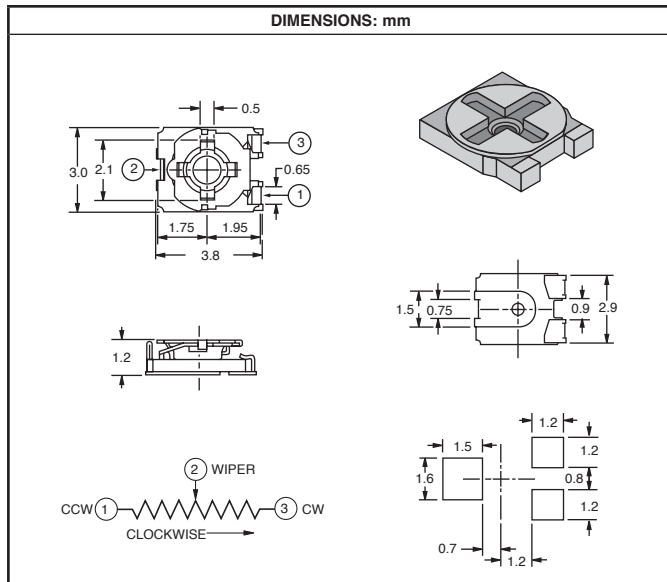
Physical Characteristics:

- Torque: 0.98-11.46nM-m max.
- Mechanical angle: 270° ±20°
- Marking: Part marking code
- Standard packaging: 2500 pcs./7" reel
- Adjustment tool: H-90

Electrical Characteristics:

- Resistance tolerance: ±25% standard
- Resolution: Essentially infinite
- Adjustment angle: 260°±20°

MOUSER STOCK NO.	Bourns Part No.	Value (Ω)	Price Each				Reel Qty.	Price Per Piece	
			1	10	100	1000		2500	10000
652-TC33X-2-101E	TC33X-2-101E	100	.27	.228	.187	.169	2500	.126	.116
652-TC33X-2-201E	TC33X-2-201E	200	.27	.228	.187	.169	2500	.126	.116
652-TC33X-2-301E	TC33X-2-301E	300	.26	.214	.177	.17	2500	.127	.116
652-TC33X-2-501E	TC33X-2-501E	500	.27	.228	.187	.169	2500	.126	.116
652-TC33X-2-102E	TC33X-2-102E	1K	.27	.228	.187	.169	2500	.126	.116
652-TC33X-2-202E	TC33X-2-202E	2K	.27	.228	.187	.169	2500	.126	.116
652-TC33X-2-302E	TC33X-2-302E	3K	.26	.214	.177	.17	2500	.127	.116
652-TC33X-2-502E	TC33X-2-502E	5K	.27	.228	.187	.169	2500	.126	.116
652-TC33X-2-103E	TC33X-2-103E	10K	.27	.228	.187	.169	2500	.126	.116
652-TC33X-2-203E	TC33X-2-203E	20K	.27	.228	.187	.169	2500	.126	.116
652-TC33X-2-503E	TC33X-2-503E	50K	.27	.228	.187	.169	2500	.126	.116
652-TC33X-2-104E	TC33X-2-104E	100K	.27	.228	.187	.169	2500	.126	.116



Single-Turn Trimmers

Murata 12MM ANGLE SENSOR DUST PROOF POTENTIOMETERS

Features:

- Dust-proof construction protects the interior from dust, which maintains stable characteristics
- Compliant to high peak temperature lead free soldering
- Excellent resistance materials and high reliability wiper achieves 1M cycles
- "D" formation thru-hole rotor enables selection of any kind of gear shape
- Ultra-thin size (2.1mm height)
- Au plated terminals without lead

For quantities greater than listed, call for quote.

MOUSER STOCK NO.	Murata Part No.	Fig.	Value Ω	Linearity (%)	Angle of Rotation	TCR (ppm/°C)	Price Each		
							1	10	100
Surface Mount									
81-SV01A103AEA01B00	SV01A103AEA01B00	A	10K	±2	333 1/3°	±500	2.24	1.33	1.12
Through Hole									
81-SV01L103AEA11T00	SV01L103AEA11T00	B	10K	±2	333 1/3°	±500	1.94	1.45	1.20

