

TIP36C
SILICON
PNP POWER TRANSISTOR



TO-247 CASE

DESCRIPTION:

The CENTRAL SEMICONDUCTOR TIP36C in the TO-247 case is a silicon PNP power transistor manufactured by the epitaxial base process, designed for high current amplifier and switching applications.

MARKING: FULL PART NUMBER

MAXIMUM RATINGS: ($T_C=25^\circ\text{C}$)

Collector-Base Voltage
Collector-Emitter Voltage
Emitter-Base Voltage
Continuous Collector Current
Peak Collector Current
Continuous Base Current
Power Dissipation
Operating and Storage Junction Temperature
Thermal Resistance

SYMBOL		UNITS
V_{CBO}	100	V
V_{CEO}	100	V
V_{EBO}	5.0	V
I_C	25	A
I_{CM}	40	A
I_B	5.0	A
P_D	125	W
T_J, T_{stg}	-65 to +150	$^\circ\text{C}$
θ_{JC}	1.0	$^\circ\text{C/W}$

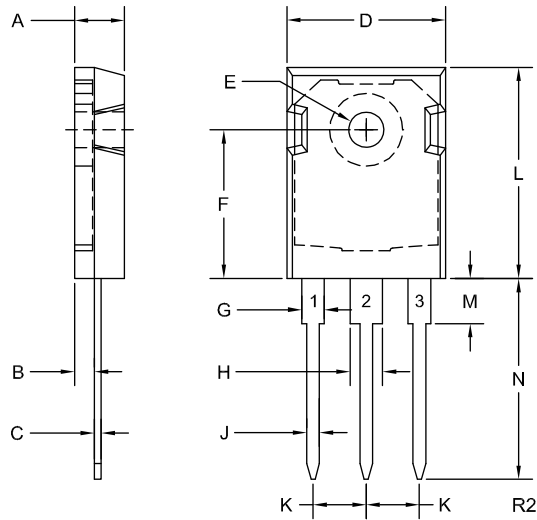
ELECTRICAL CHARACTERISTICS: ($T_C=25^\circ\text{C}$ unless otherwise noted)

SYMBOL	TEST CONDITIONS	MIN	MAX	UNITS
I_{CEO}	$V_{CE}=60\text{V}$		1.0	mA
I_{CES}	$V_{CE}=100\text{V}$		0.7	mA
I_{EBO}	$V_{EB}=5.0\text{V}$		1.0	mA
BV_{CEO}	$I_C=30\text{mA}$	100		V
$V_{CE(SAT)}$	$I_C=15\text{A}, I_B=1.5\text{A}$		1.8	V
$V_{CE(SAT)}$	$I_C=25\text{A}, I_B=5.0\text{A}$		4.0	V
$V_{BE(ON)}$	$V_{CE}=4.0\text{V}, I_C=15\text{A}$		2.0	V
$V_{BE(ON)}$	$V_{CE}=4.0\text{V}, I_C=25\text{A}$		4.5	V
h_{FE}	$V_{CE}=4.0\text{V}, I_C=1.5\text{A}$	25		
h_{FE}	$V_{CE}=4.0\text{V}, I_C=15\text{A}$	10	100	
h_{fe}	$V_{CE}=10\text{V}, I_C=1.0\text{A}, f=1.0\text{kHz}$	25		
f_T	$V_{CE}=10\text{V}, I_C=1.0\text{A}, f=1.0\text{MHz}$	3.0		MHz

TIP36C
SILICON
PNP POWER TRANSISTOR



TO-247 CASE - MECHANICAL OUTLINE



LEAD CODE:

- 1) Base
- 2) Collector
- 3) Emitter

MARKING:

FULL PART NUMBER

SYMBOL	DIMENSIONS			
	INCHES		MILLIMETERS	
	MIN	MAX	MIN	MAX
A	0.184	0.211	4.68	5.36
B	0.087	0.110	2.20	2.80
C	0.022	0.028	0.55	0.70
D	0.606	0.638	15.38	16.20
E (DIA)	0.128	0.144	3.25	3.65
F	0.583	0.599	14.81	15.22
G	0.072	0.097	1.82	2.46
H	0.115	0.127	2.92	3.23
J	0.035	0.060	0.89	1.53
K	0.207	0.223	5.26	5.66
L	0.812	0.881	20.63	22.38
M	0.146	0.177	3.70	4.50
N	0.728	0.846	18.50	21.50

TO-247 (REV: R2)

R1 (20-April 2017)

OUTSTANDING SUPPORT AND SUPERIOR SERVICES



PRODUCT SUPPORT

Central's operations team provides the highest level of support to insure product is delivered on-time.

- Supply management (Customer portals)
- Inventory bonding
- Consolidated shipping options
- Custom bar coding for shipments
- Custom product packing

DESIGNER SUPPORT/SERVICES

Central's applications engineering team is ready to discuss your design challenges. Just ask.

- Free quick ship samples (2nd day air)
- Online technical data and parametric search
- SPICE models
- Custom electrical curves
- Environmental regulation compliance
- Customer specific screening
- Up-screening capabilities
- Special wafer diffusions
- PbSn plating options
- Package details
- Application notes
- Application and design sample kits
- Custom product and package development

REQUESTING PRODUCT PLATING

1. If requesting Tin/Lead plated devices, add the suffix " TIN/LEAD" to the part number when ordering (example: 2N2222A TIN/LEAD).
2. If requesting Lead (Pb) Free plated devices, add the suffix " PBFREE" to the part number when ordering (example: 2N2222A PBFREE).

CONTACT US

Corporate Headquarters & Customer Support Team

Central Semiconductor Corp.
145 Adams Avenue
Hauppauge, NY 11788 USA
Main Tel: (631) 435-1110
Main Fax: (631) 435-1824
Support Team Fax: (631) 435-3388
www.centrasemi.com

Worldwide Field Representatives:
www.centrasemi.com/wwreps

Worldwide Distributors:
www.centrasemi.com/wwdistributors

For the latest version of Central Semiconductor's **LIMITATIONS AND DAMAGES DISCLAIMER**, which is part of Central's Standard Terms and Conditions of sale, visit: www.centrasemi.com/terms