

Applications

- Constant voltage regulation
- Reference voltage application

Features

- Small and compact SMD package used: SOT-23
- Surface mount lead configuration

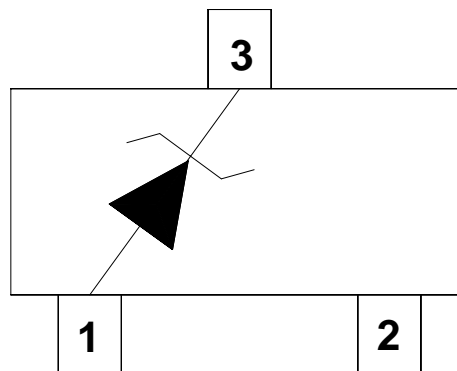
Ordering Information

Type NO.	Marking	Package Code
SDZ16V	Y5 □ ① ②	SOT-23

①Device Code ②Year&Week Code

PIN Connections

Datasheet.Live



PIN Connections

1. Anode
2. NC
3. Cathode

Absolute maximum ratings

(Ta=25°C)

Characteristic	Symbol	Ratings	Unit
Power dissipation	P_D	200	mW
Junction temperature	T_j	150	°C
Storage temperature	T_{stg}	-55 ~ 150	°C

Electrical Characteristics

(Ta=25°C)

Characteristic	Symbol	Test Condition	Min.	Typ.	Max.	Unit
Zener voltage	V_Z	$I_Z=5mA$	15.28	-	16.72	V
Dynamic impedance	Z_{ZT}	$I_Z=5mA$	-	-	36	Ω
KNEE dynamic impedance	Z_{ZK}	$I_Z=0.25mA$	-	-	600	Ω
Reverse current	I_R	$V_R=12V$	-	-	0.1	μA

Electrical Characteristic Curves

Fig. 1 $P_D.T_a$

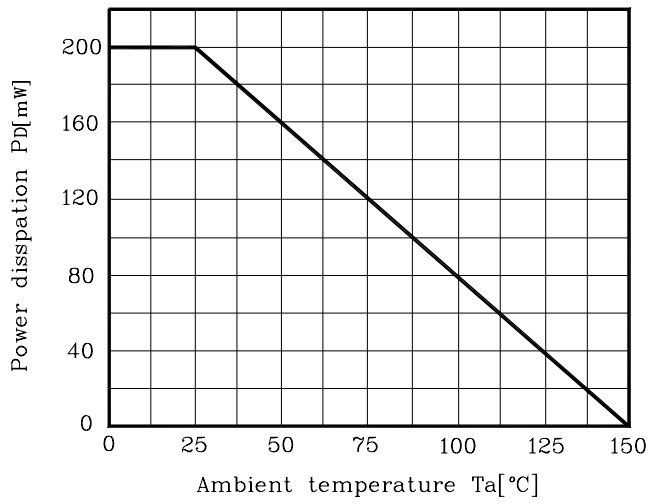
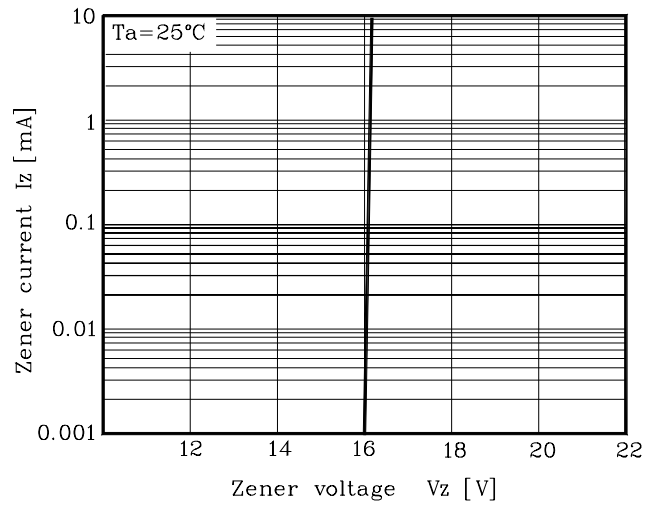
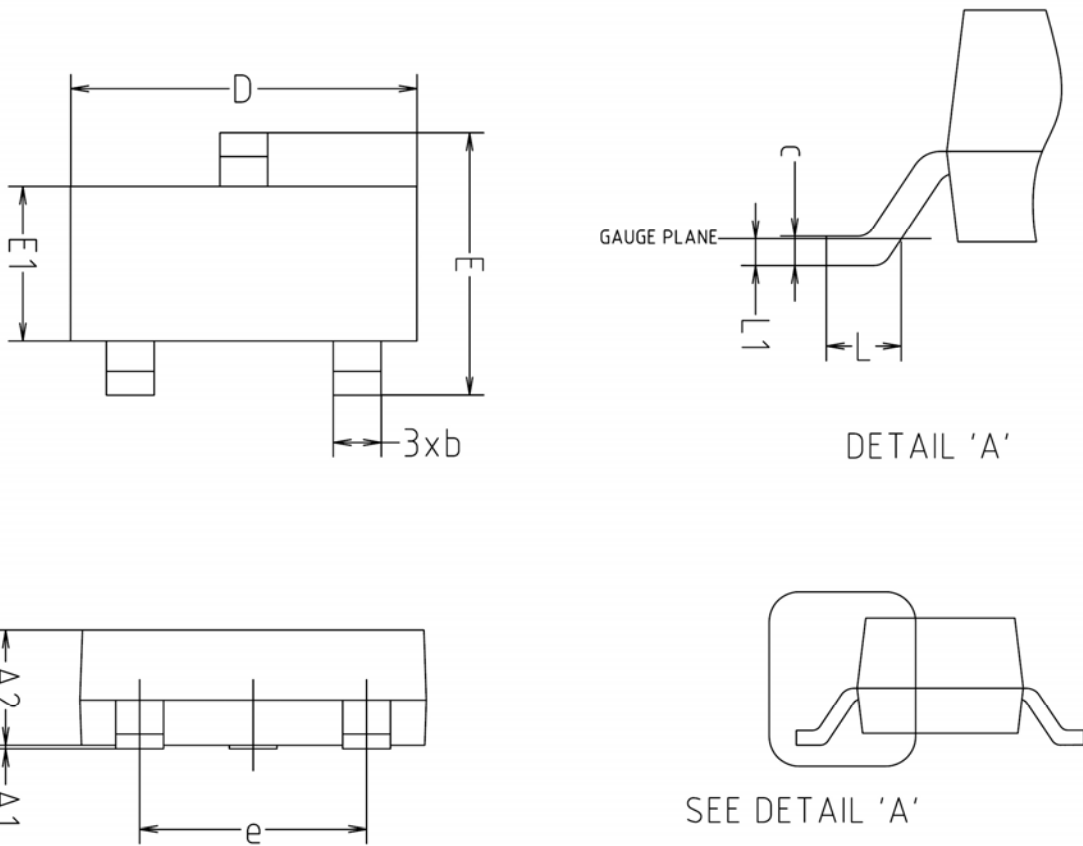


Fig. 2 $I_Z.V_Z$



Outline Dimension



SYMBOL	MILLIMETERS			NOTE
	MINIMUM	NOMINAL	MAXIMUM	
A1	0.00	-	0.10	
A2	0.82	-	1.02	
b	0.39	0.42	0.45	
c	0.09	0.12	0.15	
D	2.80	2.90	3.00	
E	2.20	2.40	2.60	
E1	1.20	1.30	1.40	
e	1.90BSC			
L	0.20	-	-	
L1	0.12BSC			

The AUK Corp. products are intended for the use as components in general electronic equipment (Office and communication equipment, measuring equipment, home appliance, etc.).

Please make sure that you consult with us before you use these AUK Corp. products in equipments which require high quality and / or reliability, and in equipments which could have major impact to the welfare of human life(atomic energy control, airplane, spaceship, transportation, combustion control, all types of safety device, etc.). AUK Corp. cannot accept liability to any damage which may occur in case these AUK Corp. products were used in the mentioned equipments without prior consultation with AUK Corp..

Specifications mentioned in this publication are subject to change without notice.