

LED Indicator Lamps (SLA · SLR)

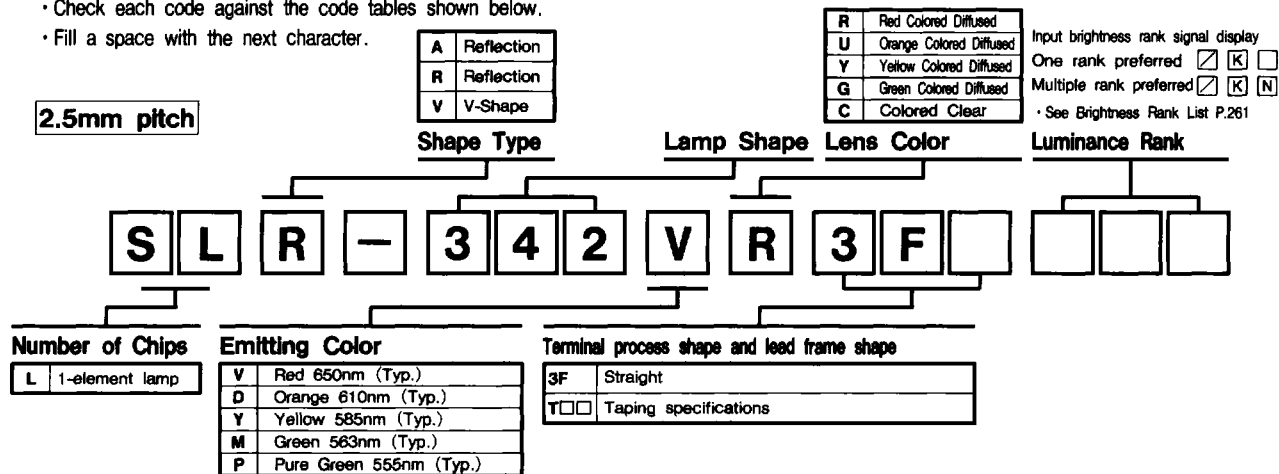
Direct mount LED lamps

Lead pitch of 2.5mm and 5mm allow direct mount on PCB by using an automatic placement machine.
Direct mount lamps won't fall down.

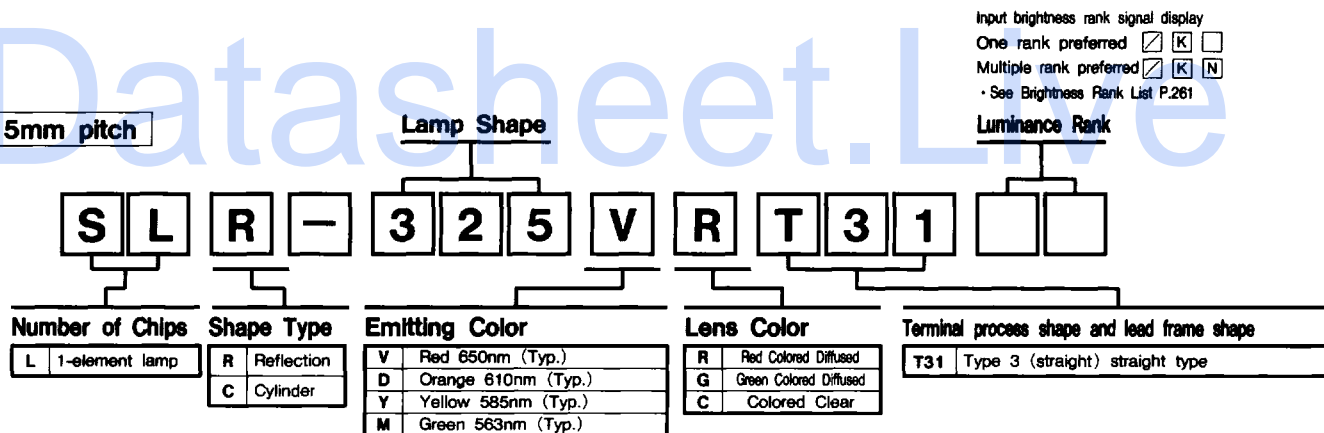
●Product Designation

- When ordering, specify the type.
- Check each code against the code tables shown below.
- Fill a space with the next character.

2.5mm pitch



5mm pitch



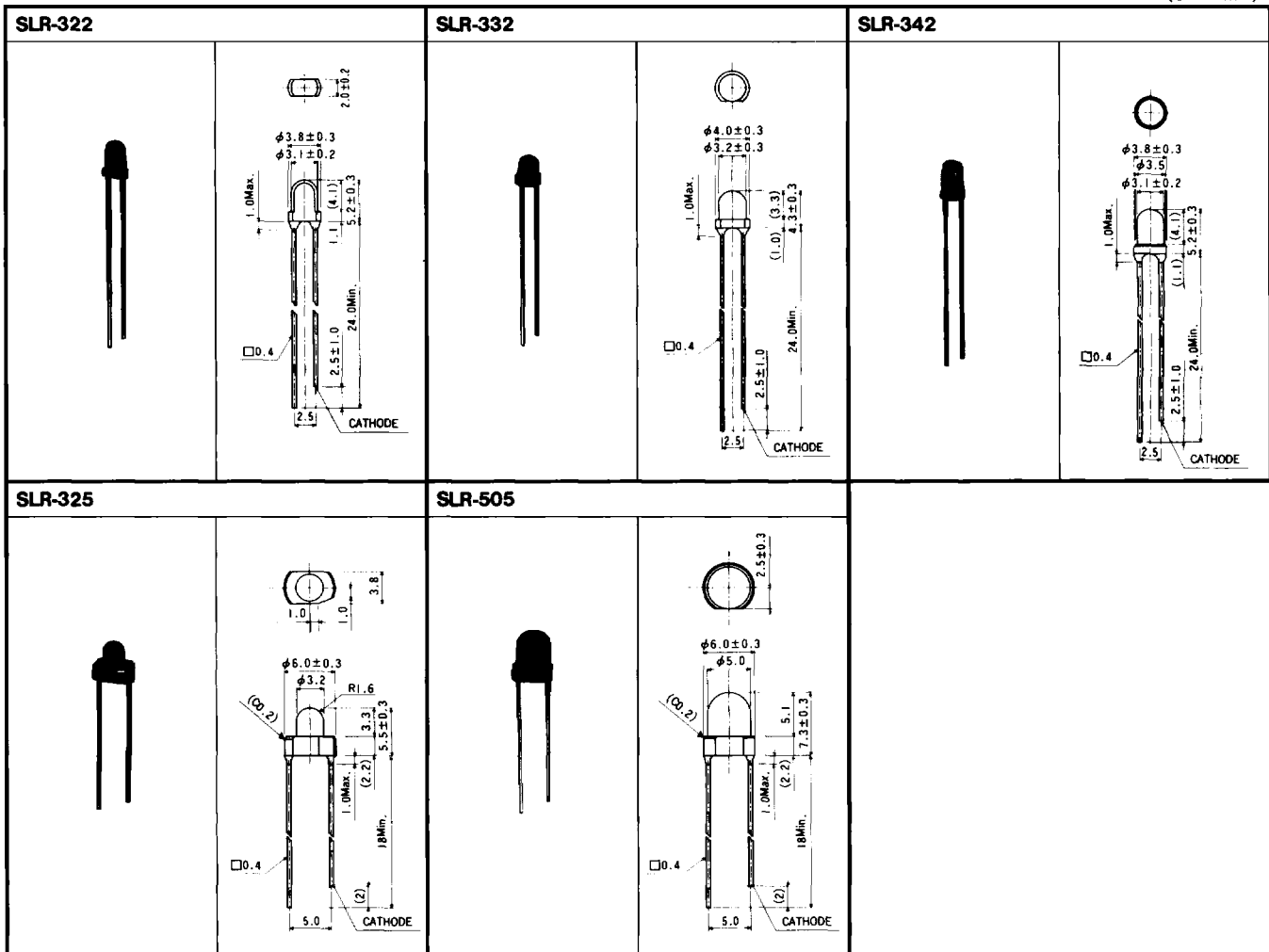
● Reflector types (SLR) , Flat disc types (SLR)

Type	Emitter surface size (mm)	Series name	Lamp	Emitting color Emitting material λ p (nm)	Red	Orange	Yellow	Green	Basic ordering unit	Quantity /package	Quantity /bag	Rank
					GeAsP on GaP	GeAsP on GaP	GeAsP on GaP	GaP				
Flat disc types	φ3.1	SLR-322		Colored clear	VC	DC	YC	MC	2,000	2,000	100	◎
				Colored diffused	VR	DU	YY	MG				
Reflector types	φ3.2	SLR-332		Colored clear	VC	DC	YC	MC	2,000	2,000	100	◎
				Colored diffused	VR	DU	YY	MG				
	φ3.1	SLR-342		Colored clear	VC	DC	YC	MC	2,000	2,000	100	◎
				Colored diffused	VR	DU	YY	MG				
	φ3.2	SLR-325		Colored clear	VC	DC	YC	MC	2,000 (Straight taping only)	2,000	-	◎
				Colored diffused	VR	-	YY	MG				
	φ5.0	SLR-505		Colored clear	VC	DC	-	MC	2,000 (Straight taping only)	2,000	-	◎
				Colored diffused	VR	-	YY	MG				

◎ : Standard products

LED Indicator Lamps

(Unit : mm)



LED

Taping condition

Page 233

Taping specifications

Page 233